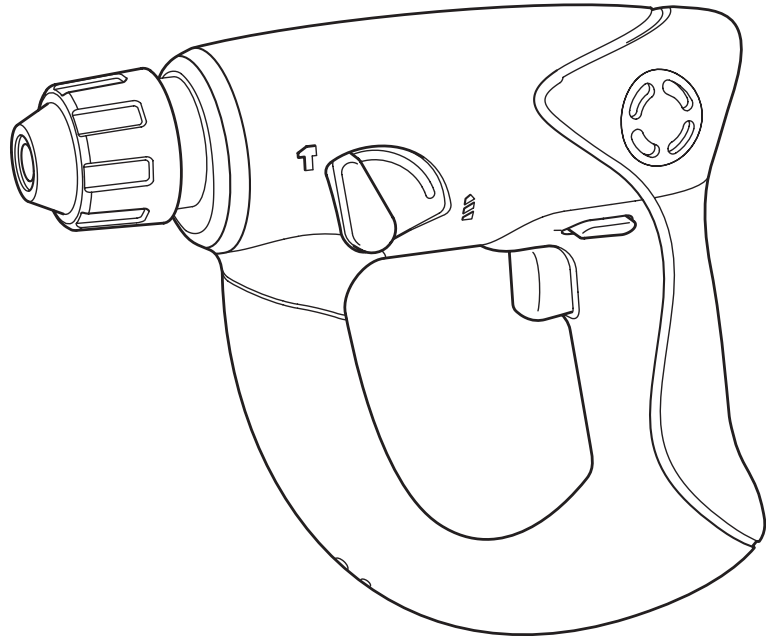


FIXA



GB

GR

中文

繁中

KR

JP

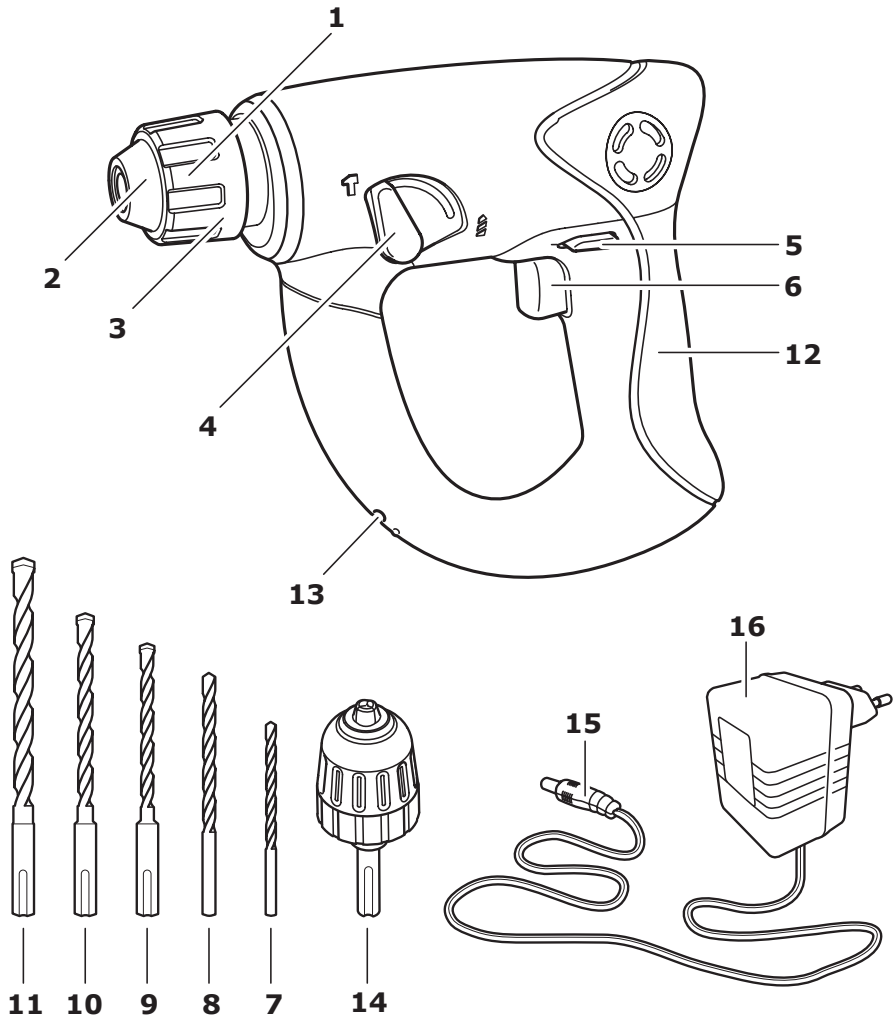
ID

BM

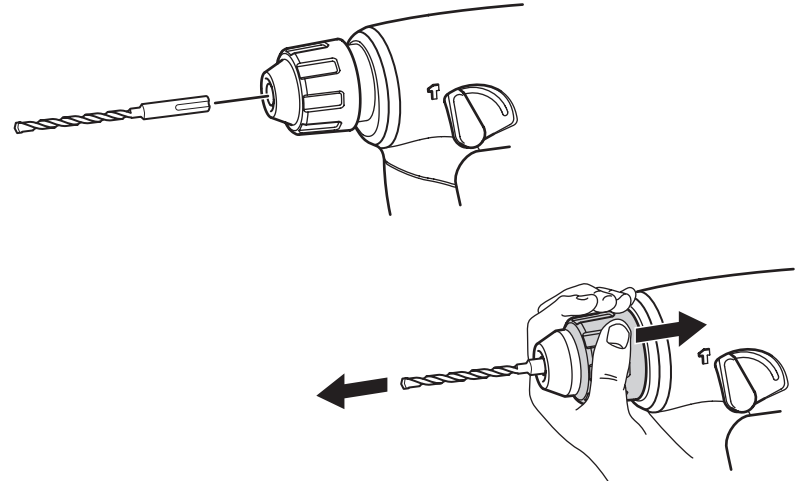
AR



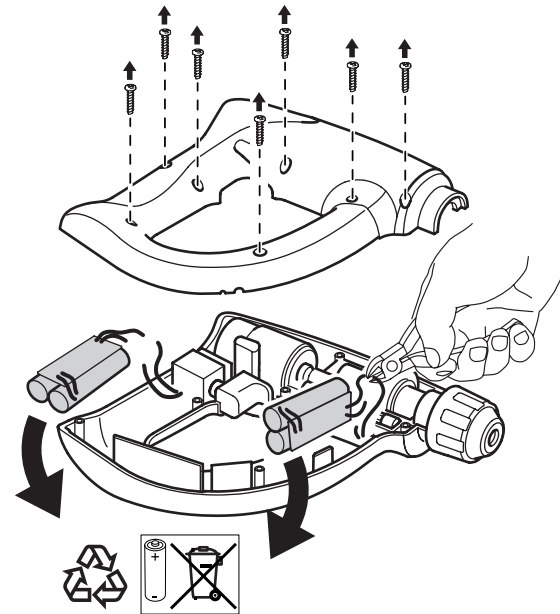
Design and Quality
IKEA of Sweden



A



B



ENGLISH	4
Original instructions	
ΕΛΛΗΝΙΚΑ	13
Μετάφραση από το πρωτότυπο κείμενο των οδηγιών.	
中文	23
使用说明翻译	
繁中	29
使用說明翻譯	
한국어	35
설명서 원문의 번역.	
日本語	43
説明書の原文から翻訳	
BAHASA INDONESIA	51
Diterjemahkan dari instruksi aslinya.	
BAHASA MALAYSIA	61
Diterjemah daripada arahan asal.	
عربي	70
مترجمة من التعليمات الأصلية.	

FIXA Hammer drill Li-Ion 14.4V**TECHNICAL SPECIFICATIONS**

Voltage: 14.4 V

Rated speed: 0-900 rpm

Impact rate: 0-4800 bpm

Impact energy per stroke: 1.0 J

Tool holder: SDS plus

Max drilling dia.:

-concrete (with twist drill) 10 mm (3/8")

-steel 8 mm (5/16")

-wood 10 mm (3/8")

Battery: Lithium-ion battery

Capacity: 1.5 Ah

Number of battery cells: 4

Charging time: 5-7 h

Charger: Local mains voltage

Separate chuck: 10 mm (3/8"), keyless,

quick-fit, quick-release chuck

Weight: 1.3 kg (2.86 lbs)

Vibration (according to EN 60745-1,

EN 60745-2-6)

$$a_{h,D} = 5.9 \text{ m/s}^2, K = 1.5 \text{ m/s}^2$$

$$a_h = 4.7 \text{ m/s}^2, K = 1.5 \text{ m/s}^2$$

Noise (according to EN 60745-1)

Noise pressure level $L_{pa} = 86 \text{ dB (A)}$,

$K_{pa} = 3 \text{ dB (A)}$

Noise power level $L_{wa} = 97 \text{ dB (A)}$,

$K_{wa} = 3 \text{ dB (A)}$

LIST OF FEATURES

The numbering of the product features shown refers to the illustration of the hammer drill on the graphic page.

1. SDS plus tool holder
2. Dust protection cap
3. Locking sleeve
4. Selector switch for hammer drilling/ drilling
5. Rotational direction switch
6. On/Off switch

7. Ø 3mm (1/8") wood bit, to be used with exchange chuck (for drilling without impact)
8. Ø 5mm (3/16") wood bit, to be used with exchange chuck (for drilling without impact)
9. Ø 5mm (3/16") SDS bit (for drilling with impact)
10. Ø 6mm (1/4") SDS bit (for drilling with impact)
11. Ø 8mm (5/16") SDS bit (for drilling with impact)
12. Handle (insulated gripping surface)
13. Socket for charge connector and light diode
14. Exchange chuck
15. Charge connector
16. Transformer for charger

AREAS OF USE

This hammer drill is intended for hammer drilling in concrete, brick and stone, and is also suitable for drilling without impact in wood, metal, ceramic and plastic with the separate chuck that is included. Machines with electronic control and right/left rotation are also suitable for screwdriving.

Use the battery charger only when you fully understand and can perform all functions without limitation, or have received appropriate instructions.

GENERAL SAFETY INSTRUCTIONS**General safety instructions for power tools**

Warning!



Read all safety warnings and all instructions. Failure to follow all the warnings and instructions may result in electric shock, fire and/or serious injury.

Save all warnings and instructions for future reference.

The term “power tool” in all of the warnings listed below refers to your mains operated (corded) power tool or battery operated (cordless) power tool.

Work area safety

a. **Keep work area clean and well lit.** Cluttered and dark areas invite accidents.

b. **Do not operate power tools in explosive atmospheres, such as in the presence of flammable liquids, gases or dust.** Power tools create sparks which may ignite the dust of fumes.

c. **Keep children and bystanders away while operating a power tool.** Distractions can cause you to lose control.

Electrical safety

a. **Power tool plugs must match the outlet. Never modify the plug in any way. Do not use any adapter plugs with earthed (grounded) power tools.** Unmodified plugs and matching outlets will reduce risk of electric shock.

b. **Avoid body contact with earthed or grounded surfaces such as pipes, radiators, ranges and refrigerators.** There is an increased risk of electric shock if your body is earthed or grounded.

c. **Do not expose power tools to rain or wet conditions.** Water entering a power tool will increase the risk of electric shock.

d. **Do not abuse the cord. Never use the cord for carrying, pulling or unplugging the power tool. Keep the cord away from heat, oil, sharp edges or moving parts.** Damaged or entangled cords increase the risk of electric shock.

e. **When operating a power tool outdoors, use an extension cord suitable for outdoor use.** Use of a cord suitable for outdoor use reduces the risk of electric shock.

f. **If operating a power tool in a damp location is unavoidable, use a residual current device (RCD) protected supply.** Use of an RCD reduces the risk of electric shock.

Personal safety

a. **Stay alert, watch what you are doing and use common sense when operating a power tool. Do not use a power tool while you are tired or under the influence of drugs, alcohol or medication.** A moment of inattention while operating power tools may result in serious personal injury.

b. **Use personal protective equipment. Always wear eye protection.** Protective equipment such as dust mask, non-skid safety shoes, hard hat, or hearing protection used for appropriate conditions will reduce personal injuries.

c. **Prevent unintentional starting: Ensure that the switch is in the off-position before connecting to power source and/or battery pack, picking up or carrying the tool.** Carrying power

tools with your finger on the switch or plugging in power tools that have the switch on invites accidents.

d. Remove any adjusting key or wrench before turning the power tool on. A wrench or a key left attached to a rotating part of the power tool may result in personal injury.

e. Do not overreach. Keep proper footing and balance at all times. This enables better control of the power tool in unexpected situations.

f. Dress properly. Do not wear loose clothing or jewellery. Keep your hair, clothing and gloves away from moving parts. Loose clothes, jewellery or long hair can be caught in moving parts.

g. If devices are provided for the connection of dust extraction and collection facilities, ensure these are connected and properly used. Use of these devices can reduce dust related hazards.

Power tool use and care

a. Do not force the power tool. Use the correct power tool for your application. The correct power tool will do the job better and safer at the rate for which it was designed.

b. Do not use the power tool if the switch does not turn it on and off. Any power tool that cannot be controlled with the switch is dangerous and must be repaired.

c. Disconnect the plug from the power source and/or the battery pack before making any adjustments, changing accessories, or storing power tools.

Such preventive safety measures reduce the risk of starting the power tool accidentally.

d. Store idle power tools out of the reach of children and do not allow persons unfamiliar with the power tool or these instructions to operate the power tool. Power tools are dangerous in the hands of untrained users.

e. Maintain power tools. Check for misalignment or binding of moving parts, breakage of parts and any other condition that may affect the power tools operation. If damaged, have the power tool repaired before use. Many accidents are caused by poorly maintained power tools.

f. Keep cutting tools sharp and clean. Properly maintained cutting tools with sharp cutting edges are less likely to bind and are easier to control.

g. Use the power tool, accessories and tool bits, etc. in accordance with these instructions and in the manner intended for the particular type of power tool, taking into account the working conditions and the work to be performed. Use of the power tool for operations different from those intended could result in a hazardous situation.

h) Hold the power tool by insulated gripping surfaces, when performing an operation where the fastener may contact with hidden wiring or its own cord. Fasteners contacting a “live” wire may make exposed metal parts of the power tool “live” and could give the operator an electric shock.

Battery tool use and care

a. **Recharge only with the charger specified by the manufacturer.**

A charger that is suitable for one type of battery pack may create a risk of fire when used with another battery pack.

b. **Use power tools only with specifically designated battery packs.**

Use of any other battery packs may create a risk of injury and fire.

c. **When battery pack is not in use, keep it away from other metal objects, like paperclips, coins, keys, nails, screws or other small metal objects that can make a connection from one terminal to another.**

Shorting the battery terminals together may cause burns or a fire.

d. **Under abusive conditions, liquid may be ejected from the battery; avoid contact. If contact accidentally occurs, flush with water. If liquid contacts eyes, additionally seek medical help.**

Liquid ejected from the battery may cause irritation or burns.

Service

a. **Have your power tool serviced by a qualified repair person using only identical replacements parts.** This will ensure that the safety of the power tool is maintained.

MACHINE-SPECIFIC SAFETY INSTRUCTIONS

Drill safety warnings

Wear ear protectors when using the hammer drill. Exposure to noise can cause hearing loss.

Use appropriate detectors to determine if utility lines are hidden in the work area or call your local utility company for assistance. Contact with electric lines can lead to fire and electric shock. Damaging a gas line can lead to explosion. Penetrating a water line causes property damage or may cause an electric shock.

Switch off the power tool immediately when the tool insert jams. Be prepared for high reaction torque that can cause kickback. The tool insert jams when:

- the power tool is subject to overload or
- it becomes wedged in the workpiece.

When working with the power tool, always hold it firmly with both hands and provide for a secure stance. The power tool is guided more secure with both hands.

Secure the workpiece. A workpiece clamped with clamping devices or in a vice is held more secure than by hand.

Keep your workplace clean. Blends of materials are particularly dangerous. Dust from light alloys can burn or explode.

Always wait until the machine has come to a complete stop before placing it down. The tool insert can jam and lead to loss of control over the power tool.

Before any work on the machine (e. g., maintenance, tool change, etc.) as well as during transport and storage, set the rotational direction switch to the centre position.

Unintentional actuation of the On/Off switch can lead to injuries.

Protect the power tool against heat, e. g., against continuous intense sunlight, fire, water, and moisture.

Danger of explosion.

In case of damage and improper use of the battery, vapours may be emitted. Provide for fresh air and seek medical help in case of complaints. The vapours can irritate the respiratory system.

Safety Warnings for battery chargers



For indoor use only.



Double insulated.

Keep the battery charger away from rain or moisture. Penetration of water in the battery charger increases the risk of an electric shock.

Do not charge other batteries. The battery charger is suitable only for charging the batteries that were supplied with your power tool. Otherwise there is danger of fire and explosion.

Keep the battery charger clean. Contamination can lead to danger of an electric shock.

Before each use, check the battery charger, cable and plug. If damage is detected, do not use the battery charger. Never open the battery charger yourself. Have repairs performed only by a qualified technician. Damaged battery chargers,

cables and plugs increase the risk of an electric shock.

Do not operate the battery charger on easily inflammable surfaces (e. g., paper, textiles, etc.) or surroundings. The heating of the battery charger during the charging process can pose a fire hazard.

Children should be supervised to ensure that they do not play with the battery charger.

Products sold in **GB only**: Your product is fitted with an BS 1363/A approved electric plug with internal fuse (ASTA approved to BS 1362). If the plug is not suitable for your socket outlets, it should be cut off and an appropriate plug fitted in its place by an authorised customer service agent. The replacement plug should have the same fuse rating as the original plug. The severed plug must be disposed of to avoid a possible shock hazard and should never be inserted into a mains socket elsewhere. Products sold in **AUS only**: Use a residual current device (RCD) with a rated residual current of 30 mA or less.

VIBRATION INFORMATION

Vibration level

The vibration emission level stated in this instruction manual has been measured in accordance with a standardised test given in EN 60745. It may be used to compare one tool with another and as a preliminary assessment of exposure to vibration when using the tool for the applications mentioned in this manual. However, using the tool for different applications, or with different or poorly maintained accessories, may significantly increase the exposure level.

An estimation of the level of exposure to vibration should also take into account the times when the tool is switched off or when it is running but not actually doing the job, as this may significantly reduce the exposure level over the total working period.

Protect yourself against the effects of vibration by maintaining the tool and its accessories, keeping your hands warm, and organizing your work patterns.

ASSEMBLY

Before any work on the machine (e. g., maintenance, tool change, etc.) as well as during transport and storage, set the rotational direction switch to the centre position.

Unintentional actuation of the On/Off switch can lead to injuries.

Battery charging

Charging your hammer drill

When the charger is connected to the electricity supply, the red diode on the hammer drill lights up. The diode lights up while the battery is being charged (13).

Under normal conditions of use the hammer drill can be recharged several hundred times.

ATTENTION! The recharging process generates heat in the battery.

Note: The battery that is supplied with the hammer drill has been charged for test purposes only and must be fully charged before first time use.

First read the safety instructions and then follow the loading instructions. Insert the charge connector (15) into the socket (13) in the hammer drill. Then connect

the charger's transformer to the electricity supply.

Make sure that there are no knots or sharp bends in the cable. The charger's transformer and the battery have been designed to be used together.

NEVER use this charger to recharge cordless tools or batteries from other manufacturers. The battery will gradually lose its charge over a period of time, even if the tool is not used.

The lithium-ion battery is protected against deep discharging by the "Electronic Cell Protection (ECP)". When the battery is empty, the machine is switched off by means of a protective circuit: The inserted tool no longer rotates.



WARNING! Do not continue to press the On/Off switch after the machine has been automatically switched off. The battery can be damaged.



WARNING! Recharge the battery on a non-flammable surface. Do not recharge the battery for more than eight hours. The red diode will turn green when the battery has been fully loaded.

Disconnect the cable and store the transformer in a suitable place when it is not in use.

It is not advisable to recharge the battery in temperatures below freezing.

When removing the battery from the machine, actuate the On/Off switch (6) until the battery is completely discharged. Unscrew the screws in the casing and take off the casing shell. Disconnect the connections on the battery and remove the battery (see figure B).

INSTRUCTIONS FOR USE

Changing the tool

The SDS plus tool holder allows for simple and convenient changing of drilling tools without the use of additional tools. Due to their working principle, SDS plus drilling tools move freely. This results in radial runout at no-load. However, this has no effect on the accuracy of the drill hole, as the drill bit centres itself during drilling. The SDS tool holder can also accommodate different drill-bit types with hexagon shank. The dust protection cap (2) largely prevents the entry of drilling dust into the tool holder during operation. When inserting the tool, take care that the dust protection cap (2) is not damaged.


Inserting SDS plus Drilling Tools (see figure A)

Clean and lightly grease the shank end of the tool.

Insert the tool in a twisting manner into the tool holder until it latches itself.

Check the latching by pulling the tool.

Removing SDS plus Drilling Tools (See figure A)

 **WARNING! Accessories may be hot after use.** Avoid contact with skin and use proper protective gloves or cloth to remove.

Push back the locking sleeve (3) and remove the tool. All accessories should be wiped clean after removing.

Dust/Chip Extraction

Dusts from materials such as lead-containing coatings, some wood types, minerals and metal can be harmful to one's health. Touching or breathing-in the dusts can cause allergic reactions and/or lead to respiratory infections of the user or bystanders.

Certain dusts, such as oak or beech dust, are considered as carcinogenic, especially in connection with wood-treatment additives (chromate, wood preservative). Materials containing asbestos may only be worked by specialists.

Provide for good ventilation of the working place. It is recommended to wear a P2 filter class respirator. Observe the relevant regulations in your country for the materials to be worked.

Starting operation

Setting the operating mode

With the selector switch for hammer drilling/ drilling (4), the operating mode of the machine is selected.

Note: Change the operating mode only when the machine is switched off! Otherwise, the machine can be damaged. To change the operating mode, turn the selector switch for "hammer drilling/ drilling" (4) to the requested position.



Position for hammer drilling in concrete or stone



Position for drilling without impact in wood, metal, ceramic and plastic as well as for screwdriving

Reversing the Rotational Direction

Actuate the rotational direction switch (5) only when the machine is at a standstill. The rotational direction switch (5) is used to reverse the rotational direction of the machine. However, this is not possible with the On/Off switch (6) actuated.

Right Rotation: For drilling and driving in screws, push the rotational direction switch (5) left to the stop.

Left Rotation: For loosening and unscrewing screws and nuts, press the rotational direction switch (5) through to the right stop.

Switching On and Off

To start the machine, press the On/Off switch (6) and keep it pressed. To switch off the machine, release the On/Off switch (6). For low temperatures, the power tool reaches the full hammer/impact capacity only after a certain time.

Note: Sparks may be visible through the slots in the motor housing during operation. The sparks are a normal reaction of the motor when in use and are created by the components inside the motor moving against each other. The function of the power tool is not affected by this. We do however recommend not to use the power tool near any flammable liquids, gases or dust, which the sparks may ignite.

Setting the Speed/Impact Rate

The speed/impact rate of the switched on power tool can be variably adjusted, depending on how far the On/Off switch (6) is pressed.

Light pressure on the On/Off switch (6) results in low speed/impact rate. Further pressure on the switch increases the speed/impact rate.

Temperature Dependent Overload Protection

When using as intended, the power tool cannot be subject to overload. When the load is too high or the allowable battery temperature of 70 °C is exceeded, the electronic control switches off the power tool until the temperature is in the optimum temperature range again.

Working Advice

Apply the power tool to the screw/nut only when it is switched off. Rotating tool inserts can slip off.

MAINTENANCE AND CLEANING

Before any work on the machine (e.g. maintenance, tool change, etc) as well as during transport and storage, set the selector for rotation switch to the centre position. Unintentional actuation of the trigger can lead to injuries.

For safe and proper working, always keep the machine and ventilation slots clean.

ENVIRONMENTAL DISPOSAL INSTRUCTIONS

Help to protect the environment

Information (for private households) about the environmentally sound disposal of electrical and electronic equipment in accordance with the WEEE directive (Waste Electrical and Electronic Equipment).



This symbol on electrical and electronic products and the documentation that accompanies them indicates that these products may not be discarded together with ordinary household waste. Instead the products must be taken to a designated collection point where they will be received free of charge for disposal, treatment, reuse and recycling as appropriate. In certain countries products may also be returned to the point of sale when purchasing an equivalent new product. By disposing of this product in the proper manner you are helping to save valuable natural resources and to eliminate the negative effects that the irresponsible disposal and management of waste can have on health and the environment. Please contact the relevant authorities where you live for information about your nearest WEEE collection point. Disposing of this type of waste in an unapproved manner may render you liable to fine or other penalty according to the law.

Disposing of damaged or exhausted batteries

Do not dispose of discarded batteries together into ordinary household waste, fire or water. In accordance with the law, damaged or exhausted batteries must be taken to the nearest collection point for batteries or a battery management company. Failure to comply with these regulations may render you liable to fine or other penalty.

Information about disposal for users in countries outside the European Union



This symbol applies only within the European Union. Please contact the relevant authorities or retailer in your country for information about the correct method of disposal for this product.

FIXA δραπανοκατσάβιδο με μπαταρία λιθίου 14.4 V

ΤΕΧΝΙΚΕΣ ΠΡΟΔΙΑΓΡΑΦΕΣ

Τάση: 14.4 V
 Στροφές ανά λεπτό: 0-900 rpm
 Αριθμός κρούσεων: 0-4800 bpm
 Ενέργεια ανά κρούση: 1.0 J
 Υποδοχή εργαλείου: SDS plus
 Μέγ. διάμ. τρυπήματος:
 -τσιμέντο (με βιδωτό τρυπάνι) 10 mm (3/8»)
 -ατσάλι 8 mm (5/16»)
 -ξύλο 10 mm (3/8»)
 Μπαταρία: Λιθίου
 Ικανότητα εργαλείου: 1.5 Ah
 Κύτταρα μπαταριών: 4
 Ώρα φόρτισης: 5-7 ώρες
 Φορτιστής: τοπικό φορτίο δικτύου
 Τσοκ: 10 mm (3/8»), χωρίς κλειδί, ταχείας εφαρμογής
 ταχείας ελευθέρωσης τσοκ
 Βάρος: 1.3 kg (2.86 lbs)
 Επίπεδο κραδασμών:(σύμφωνα με την οδηγία EN 60745-1, EN 60745-2-6):
 a_{rh} D= 5.9 m/s², K= 1.5 m/s²
 a_{rn} =4.7 m/s², K= 1.5 m/s²
 Θόρυβος (σύμφωνα με την οδηγία EN 60745-1):
 Επίπεδο πίεσης θορύβου L_{pa}=86 dB (A),
 K_{pa}=3 dB (A),
 Στάθμη db στο τρυπάνι L_{wa}=97 dB (A),
 K_{wa}=3 dB (A)

ΛΙΣΤΑ ΧΑΡΑΚΤΗΡΙΣΤΙΚΩΝ

H αρίθμηση των χαρακτηριστικών του προϊόντος αναφέρεται στην εικόνα στη σελίδα με τα γραφήματα.

1. Υποδοχή εργαλείου SDS plus
2. Προστατευτικό κάλυμμα για τη σκόνη
3. Εξάρτημα κλειδώματος
4. Διακόπτης επιλογής για δραπανοκατσάβιδο/τρυπάνι

5. Διακόπτης περιστροφής
6. Διακόπτης On/Off
7. Ø 3mm (1/8») μύτη για ξύλο, για χρήση με το ανταλλακτικό τσοκ (για διάτρηση χωρίς κρούση)
8. Ø 5mm (3/16») μύτη για ξύλο, για χρήση με το ανταλλακτικό τσοκ (για διάτρηση χωρίς κρούση)
9. Ø 5mm (3/16») μύτη SDS (για διάτρηση με κρούση)
10. Ø 6mm (1/4») μύτη SDS (για διάτρηση με κρούση)
11. Ø 8mm (5/16») μύτη SDS (για διάτρηση με κρούση)
12. Λαβή (μονωμένη επιφάνεια)
13. Φις για την ένωση του φορτιστή και δίοδος φωτός
14. Τσοκ αλλαγής
15. Ένωση φορτιστή
16. Μετασχηματιστής για το φορτιστή

ΠΕΡΙΟΧΕΣ ΧΡΗΣΗΣ

Αυτό το εργαλείο προορίζεται για χρήση ως δραπανοκατσάβιδο σε τσιμέντο, πλίνθους, πέτρα και είναι κατάλληλο για ξύλο, μέταλλο, κεραμικό και πλαστικό με ξεχωριστά τσοκ που περιλαμβάνονται. Τα εργαλεία με ηλεκτρονικό έλεγχο δεξιά/αριστερή περιστροφή είναι κατάλληλα και για βιδώμα.

Χρησιμοποιήστε το φορτιστή της μπαταρίας μόνο όταν έχετε κατανοήσει τις λειτουργίες και τις απαραίτητες οδηγίες χρήσης.

ΗΛΕΚΤΡΙΚΟ ΕΡΓΑΛΕΙΟ - ΟΔΗΓΙΕΣ ΑΣΦΑΛΕΙΑΣ

ΓΕΝΙΚΕΣ ΟΔΗΓΙΕΣ ΑΣΦΑΛΕΙΑΣ



Προειδοποίηση!



Διαβάστε προσεκτικά τις οδηγίες. Σε περίπτωση μη τήρησης των οδηγιών, υπάρχει περίπτωση ηλεκτροπληξίας, φωτιάς και/ή σοβαρού τραυματισμού.

Ο όρος “ηλεκτρικό εργαλείο” σε όλες τις προειδοποιήσεις παρακάτω αναφέρεται στα ηλεκτρικά εργαλεία με καλώδιο ή σε αυτά που λειτουργούν με μπαταρία.

Κρατήστε αυτές τις οδηγίες για μελλοντική χρήση.

Χώρος εργασίας

α. Διατηρείτε το χώρο εργασίας καθαρό και με καλό φωτισμό. Στους ακατάστατους και σκοτεινούς χώρους προκαλούνται ατυχήματα.

β. Μη χρησιμοποιείτε ηλεκτρικά εργαλεία σε εκρηκτικές ατμόσφαιρες, δηλαδή σε χώρους με την παρουσία εύφλεκτων υγρών, αερίων ή αναθυμιάσεων. Τα ηλεκτρικά εργαλεία δημιουργούν σπινθήρες που μπορεί να προκαλέσουν ανάφλεξη των αναθυμιάσεων.

γ. Κρατήστε τα παιδιά και τους περαστικούς μακριά, ενώ χρησιμοποιείτε ένα ηλεκτρικό εργαλείο. Ο περισπασμός της προσοχής σας μπορεί να σας κάνει να χάσετε τον έλεγχο.

Ασφάλεια

α. Το βύσμα από τα ηλεκτρικά εργαλεία πρέπει να ταιριάζει με την πρίζα. Μη τροποποιείτε το βύσμα με οποιοδήποτε τρόπο. Μη χρησιμοποιείτε προσαρμοστικά φics που γειώνουν τα ηλεκτρικά εργαλεία.

Με πρίζες που δεν έχουν τροποποιηθεί και με το κατάλληλο βύσμα θα μειωθεί το ρίσκο της ηλεκτροπληξίας.

β. Αποφύγετε τη σωματική επαφή με γειωμένες επιφάνειες, όπως σωλήνες, καλοριφέρ, ψυγεία κτλ. Υπάρχει μεγάλος κίνδυνος ηλεκτροπληξίας εάν το σώμα σας είναι γειωμένο.

γ. Μη αφήνετε τα ηλεκτρικά εργαλεία εκτεθειμένα στη βροχή ή σε υγρά μέρη. Το νερό που μπορεί να εισέρθει θα αυξήσει τον κίνδυνο ηλεκτροπληξίας.

δ. Μη κρατάτε το ηλεκτρικό εργαλείο από το καλώδιο. Μη τραβάτε το ηλεκτρικό εργαλείο από το καλώδιο για να βγει από την πρίζα. Διατηρήστε το καλώδιο σε καλή κατάσταση μακριά από υψηλές θερμοκρασίες, λάδια, αιχμηρές επιφάνειες κτλ. Τα κατεστραμμένα ή μπερδεμένα καλώδια αυξάνουν τον κίνδυνο ηλεκτροπληξίας.

ε. Όταν χρησιμοποιείτε ένα ηλεκτρικό εργαλείο σε εξωτερικό χώρο, χρησιμοποιήστε μια προέκταση καλωδίου κατάλληλη για εξωτερικό χώρο. Η χρήση ενός καλωδίου κατάλληλου για εξωτερική χρήση μειώνει τον κίνδυνο ηλεκτροπληξίας.

στ. Εάν δεν μπορείτε να αποφύγετε τη χρήση ενός ηλεκτρικού εργαλείου σε μέρος με υγρασία, χρησιμοποιήστε ένα διακόπτη φυγής ρεύματος. Μειώνει τον κίνδυνο ηλεκτροπληξίας.

Η προσωπική σας ασφάλεια

α. Όταν χρησιμοποιείτε ένα ηλεκτρικό εργαλείο να είστε σε εγρήγορση και να είστε προσεκτικοί. Μη χρησιμοποιείτε ένα ηλεκτρικό εργαλείο, όταν είστε υπό την επήρεια ναρκωτικών, αλκοόλ

ή **φαρμάκων**. Μια στιγμή απροσεξίας κατά τη χρήση του ηλεκτρικού εργαλείου ίσως είναι η αιτία ενός σοβαρού τραυματισμού.

β. Χρησιμοποιείτε πάντα εξοπλισμό ασφαλείας, όπως προστατευτικά γυαλιά, μάσκα για τη σκόνη, αντλιοσθητικά παπούτσια ασφαλείας, προστατευτικό για το κεφάλι σας και τα αυτιά σας κτλ για την αποφυγή των τραυματισμών.

γ. Βεβαιωθείτε ότι ο διακόπτης είναι στη θέση OFF πριν βάλετε το καλώδιο στην πρίζα, για να αποφυγείτε την κατα λάθος απευθείας λειτουργία του ηλεκτρικού εργαλείου.

δ. Αφαιρέστε τα κλειδιά πριν θέσετε σε λειτουργία το ηλεκτρικό σας εργαλείο. Ένα κλειδί ή άλλο εξάρτημα στο περιστρεφόμενο μέρος του ηλεκτρικού εργαλείου ίσως είναι η αιτία να τραυματιστείτε.

ε. Να έχετε πάντα καλή στάση σώματος και ισορροπία. Αυτό θα σας βοηθήσει να έχετε καλύτερο έλεγχο σε απρόβλεπτες στιγμές κατά τη χρήση του ηλεκτρικού εργαλείου.

στ. Ντυθείτε κατάλληλα. Μη φοράτε φαρδιά ρούχα και κοσμήματα. Κρατήστε τα μαλλιά, τα ρούχα και τα γάντια σας μακριά, για να μην “πισατούν” από τα κινούμενα εξαρτήματα.

ζ. Έαν το ηλεκτρικό εργαλείο διαθέτει εξαρτήματα απορρόφησης της σκόνης, κτλ βεβαιωθείτε ότι είναι είναι σωστά συνδεδεμένα και χρησιμοποιούνται κατάλληλα. Η χρήση αυτών των εξαρτημάτων μπορεί να μειώσει τους κινδύνους που σχετίζονται με τη σκόνη.

Ηλεκτρικό εργαλείο - χρήση και φροντίδα

α. Χρησιμοποιήστε το σωστό ηλεκτρικό εργαλείο για τη δουλειά σας. Το σωστό ηλεκτρικό εργαλείο θα κάνει καλύτερα και με μεγαλύτερη ασφάλεια τη δουλειά σας, εφόσον έχει σχεδιαστεί γι’ αυτό το σκοπό.

β. Μη χρησιμοποιείτε το ηλεκτρικό εργαλείο αν δε λειτουργεί ο διακόπτης με τις ενδείξεις ON/OFF. Οποιοδήποτε τέτοιο ηλεκτρικό εργαλείο είναι επικίνδυνο στη χρήση και πρέπει να επιδιορθωθεί.

γ. Αποσυνδέστε το βύσμα από την πρίζα πριν κάνετε κάποια αλλαγή εξαρτήματος ή ρύθμιση ή πριν το αποθηκεύσετε. Αυτά τα προληπτικά μέτρα ασφαλείας μειώνουν τον κίνδυνο να τεθεί σε λειτουργία το ηλεκτρικό εργαλείο κατά λάθος.

δ. Αποθηκεύστε τα ηλεκτρικά εργαλεία που δε χρησιμοποιείτε μακριά από παιδιά και που δεν είναι εξοικειωμένα με τη χρήση τους. Τα ηλεκτρικά εργαλεία είναι επικίνδυνα σε χέρια ατόμων που δεν έχουν διαβάσει τις οδηγίες.

ε. Συντηρήστε τα ηλεκτρικά εργαλεία. Ελέγξτε την ευθυγράμμιση ή την επαφή των αφαιρούμενων μερών του, τυχόν σπάσιμο κάποιου εξαρτήματος και οποιαδήποτε άλλη κατάσταση μπορεί να επηρεάσει τη λειτουργία των ηλεκτρικών εργαλείων. Εάν χαλάσει, επιδιορθώστε το πριν το ξαναχρησιμοποιήσετε. Γίνονται πολλά ατυχήματα από κακωσυντηρημένα ηλεκτρικά εργαλεία.

στ. Διατηρήστε τα εργαλεία κοπής αιχμηρά και καθαρά. Τα εργαλεία κοπής με αιχμηρές πλευρές είναι λιγότερο πιθανόν να “κολλήσουν” και μπορείτε να τα χειριστείτε ευκολότερα.

ζ. Χρησιμοποιήστε το ηλεκτρικό εργαλείο, τα εξαρτήματα κτλ σύμφωνα με αυτές τις οδηγίες και με τον τρόπο με τον οποίο προορίζεται να χρησιμοποιηθεί. Σε αντίθετη περίπτωση, θα ήταν επικίνδυνη η χρήση του.

η. Κρατήστε το ηλεκτρικό εργαλείο από τις μονωμένες λαβές. Προσοχή να μην ακουμπήσουν τα εξαρτήματα κοπής σε κάποιον ενεργό καλώδιο γιατί τα μεταλλικά μέρη του εργαλείου θα γίνουν αγωγοί ρεύματος και μπορεί να προκληθεί ηλεκτροπληξία.

Εργαλεία με μπαταρία - χρήση και φροντίδα

α. Φορτίστε μόνο με φορτιστή εγκεκριμένο από τον κατασκευαστή.

Ένας φορτιστής κατάλληλος για ένα συγκεκριμένο τύπο μπαταρίας μπορεί να προκαλέσει φωτιά σε περίπτωση που χρησιμοποιηθεί για τη φόρτιση κάποιου άλλου τύπου μπαταριών.

β. Χρησιμοποιήστε ηλεκτρικά εργαλεία μόνο με ειδικά σχεδιασμένες μπαταρίες. Η χρήση άλλων μπαταριών επιφέρει τον κίνδυνο τραυματισμού ή φωτιάς.

γ. Όταν η μπαταρία δε χρησιμοποιείται, κρατήστε την μακριά από άλλα μεταλλικά αντικείμενα, όπως συνδετήρες, νομίσματα κλειδιά, καρφιά, βίδες κτλ.

δ. Κάτω από συνθήκες κατάχρησης, η μπαταρία μπορεί να αποβάλλει κάποιο υγρό. Αποφύγετε την επαφή. Εάν το υγρό έρθει σε επαφή με το δέρμα σας, ξεβγάλετε με νερό. Εάν το υγρό έρθει σε επαφή με τα μάτια σας, συμβουλευτείτε ένα γιατρό. Το υγρό που αποβάλλει η μπαταρία μπορεί να προκαλέσει ερεθισμούς ή εγκαύματα.

Υψηρεσία

α. Επιδιορθώστε το ηλεκτρικό εργαλείο σας σε εξειδικευμένο τεχνίτη χρησιμοποιώντας μόνο τα ίδια ανταλλακτικά.

Αυτό θα διατηρήσει την ασφάλεια του ηλεκτρικού εργαλείου σας.

ΗΛΕΚΤΡΙΚΟ ΕΡΓΑΛΕΙΟ - ΟΔΗΓΙΕΣ ΑΣΦΑΛΕΙΑΣ

Προειδοποιήσεις για την ασφάλειά σας

Φορέστε προστατευτικά για τα αυτιά ενώ χρησιμοποιείτε το δραπενοκατσάβιδο. Η έκθεση σε αυτόν τον ήχο μπορεί να προκαλέσει προβλήματα στην ακοή.

Χρησιμοποιήστε τους κατάλληλους ανιχνευτές για να εντοπίσετε τα δίκτυα κοινής ωφέλειας στο σημείο που δουλεύετε ή επικοινωνήστε με τον αντίστοιχο φορέα. Η επαφή με ηλεκτροφόρες γραμμές μπορεί να οδηγήσει σε πυρκαγιά ή ηλεκτροπληξία. Οι ζημιές σε αγωγούς αερίου μπορεί να οδηγήσουν σε έκρηξη. Οι ζημιές στους αγωγούς του νερού μπορεί να προκαλέσουν ηλεκτροπληξία.

Όταν το εξάρτημα του εργαλείου μπλοκάρει, πρέπει να θέσετε το εργαλείο εκτός λειτουργίας. Προετοιμαστείτε για αντίδραση της περιστροφικής κίνησης που μπορεί να οδηγήσει σε τράνταγμα. Το εργαλείο μπλοκάρει όταν:

- το εργαλείο υπόκειται σε υπερφόρτωση ή σφηνώνει στο υλικό που κατεργάζεστε.

Όταν χρησιμοποιείτε το ηλεκτρικό εργαλείο, πρέπει να το κρατάτε πάντα σταθερά και με τα δυο χέρια για μεγαλύτερη ασφάλεια.

Ασφαλίστε το υλικό που περιεργάζεστε. Ένα υλικό καλά στερεωμένο με ειδικά εξαρτήματα ή με ένα σφιγκτήρα είναι ασφαλέστερο από ένα υλικό που συγκρατείται με τα χέρια.

Διατηρείτε την επιφάνεια επάνω στην οποία δουλεύετε καθαρή. Οι μίξεις υλικών είναι αρκετά επικίνδυνες. Η σκόνη από τα κράματα μπορεί να εκραγεί ή να καεί.

Περιμένετε πάντα να σταματήσει εντελώς το εργαλείο πριν το ακουμπήσετε σε κάποια επιφάνεια. Το εξάρτημα του εργαλείου μπορεί να μπλοκάρει και να χαθεί ο έλεγχος του ηλεκτρικού εργαλείου.

Πριν ξεκινήσετε οποιαδήποτε εργασία (π.χ. συντήρηση, αλλαγή εξαρτήματος κτλ) ή κατά τη μεταφορά ή την αποθήκευσή του, τοποθετήστε τον περιστροφικό διακόπτη στην κεντρική θέση. Εάν ενεργοποιηθεί ο διακόπτης On/Off κατά λάθος, μπορεί να οδηγήσει σε τραυματισμό.

Προστατέψτε το ηλεκτρικό εργαλείο από την υπερβολική θερμότητα, π.χ. τη συνεχή έκθεση στις έντονες ακτίνες του ήλιου, τη φωτιά, το νερό και την υγρασία. Κίνδυνος έκρηξης.

Σε περίπτωση ζημιάς ή ακατάλληλης χρήσης της μπαταρίας μπορεί να γίνει έκλυση αναθυμιάσεων. Αντιμετωπίστε τις με καθαρό αέρα και ιατροφαρμακευτική βοήθεια. Οι αναθυμιάσεις μπορεί να ερεθίσουν το αναπνευστικό σύστημα.

Προειδοποιήσεις Ασφαλείας για φορτιστές μπαταριών



Μόνο για χρήση σε εσωτερικούς χώρους.



Διπλή μόνωση.

Φυλάξτε το φορτιστή της μπαταρίας από τη βροχή και την υγρασία.

Η διείσδυση νερού στο φορτιστή της μπαταρίας αυξάνει τον κίνδυνο ηλεκτροπληξίας. Μη φορτίζετε άλλες μπαταρίες.

Ο φορτιστής είναι κατάλληλος μόνο για φόρτιση των μπαταριών που διατίθενται με το ηλεκτρικό εργαλείο. Σε αντίθετη περίπτωση υπάρχει ο κίνδυνος φωτιάς και έκρηξης.

Διατηρήστε το φορτιστή της μπαταρίας καθαρό. Σε αντίθετη περίπτωση υπάρχει κίνδυνος ηλεκτροπληξίας.

Πριν από κάθε χρήση, ελέγξτε το φορτιστή της μπαταρίας, το καλώδιο και ο φως. Εάν εντοπίσετε κάποια ζημιά, μη χρησιμοποιήσετε το φορτιστή. Ποτέ μην ανοίγετε το φορτιστή της μπαταρίας μόνοι σας. Οι ζημιές πρέπει να επιδιορθώνονται από ειδικευμένο τεχνίτη. Οι φορτιστές, τα καλώδια και τα φως με ζημιές αυξάνουν τον κίνδυνο ηλεκτροπληξίας.

Μη χρησιμοποιείτε το φορτιστή σε εύφλεκτες επιφάνειες (π.χ. χαρτί, ύφασμα κτλ). Η υψηλή θερμότητα του φορτιστή κατά τη διαδικασία φόρτισης μπορεί να προκαλέσει τη δημιουργία φωτιάς.

Τα παιδιά πρέπει να επιβλέπονται. Κρατήστε τα μακριά από το φορτιστή.

ΠΛΗΡΟΦΟΡΙΕΣ ΚΡΑΔΑΣΜΩΝ

Επίπεδο κραδασμών

Το επίπεδο εκπομπής κραδασμών που αναφέρεται στο παρόν εγχειρίδιο οδηγίων έχει μετρηθεί σύμφωνα με το τυποποιημένο έλεγχο που αναφέρεται στο EN 60745. Μπορεί να συγκρίνει 2 διαφορετικά εργαλεία για μια προκαταρκτική εκτίμηση της έκθεσης στους κραδασμούς κατά τη χρήση αυτών των εργαλείων στις εφαρμογές που αναφέρονται σε αυτό το εγχειρίδιο. Η χρήση των εργαλείων για διαφορετικούς σκοπούς ή με διαφορετικά ή κακοσυντηρημένα εξαρτήματα ίσως αυξήσει το επίπεδο έκθεσης.

Οι στιγμές που το εργαλείο είναι εκτός λειτουργίας ή όταν λειτουργεί αλλά δε χρησιμοποιείται μειώνει σημαντικά το επίπεδο έκθεσης.

Προστατευείτε από τις επιπτώσεις των κραδασμών συντηρώντας το εργαλείο και τα εξαρτήματά του, διατηρώντας ζεστά τα χέρια σας και οργανώνοντας τα σχέδια της δουλειάς σας.

ΣΥΝΑΡΜΟΛΟΓΗΣΗ

Πριν από κάθε εργασία με το ηλεκτρικό εργαλείο (π.χ. συντήρηση, αλλαγή εξαρτήματος) καθώς και κατά τη μεταφορά και την αποθήκευση, τοποθετήστε τον διακόπτη περιστροφής στην κεντρική θέση. Εάν τεθεί σε λειτουργία κατά λάθος, μπορεί να προκληθεί τραυματισμός.

Φόρτιση μπαταρίας

Φορτίστε στο δραπενοκατσάβιδο σας Όταν ο φορτιστής συνδέεται με την παροχή ρεύματος, η κόκκινη δίοδος στο τρυπάνι ανάβει. Το φως παραμένει ανοιχτό, όσο η μπαταρία φορτίζεται (13).

Υπο κανονικές συνθήκες το δραπενοκατσάβιδο μπορεί να φορτιστεί εκατοντάδες φορές.

ΠΡΟΣΟΧΗ! Κατά τη διαδικασία της φόρτισης παράγεται θερμότητα.

Σημείωση: Η μπαταρία που παρέχεται με το δραπενοκατσάβιδο έχει φορτιστεί μόνο για δοκιμαστικούς λόγους, γι' αυτό πρέπει να φορτιστεί πλήρως πριν από τη χρήση.

Αρχικά διαβάστε τις οδηγίες ασφαλείας και μετά ακολουθήστε τις οδηγίες φόρτισης. Εισάγετε το βύσμα του φορτιστή (15) στην υποδοχή (13) του δραπενοκατσάβιδου. Έπειτα συνδέστε το μετατροπέα στην παροχή ρεύματος.

Βεβαιωθείτε ότι δεν υπάρχουν εμπόδια ή αιχμηρές γωνίες στο καλώδιο.

Ο μετατροπέας του φορτιστή και η μπαταρία έχουν σχεδιαστεί για να χρησιμοποιούνται μαζί.

Μη χρησιμοποιείτε **ΠΟΤΕ** αυτόν το φορτιστή για τη φόρτιση άλλων ασύρματων εργαλείων ή μπαταριών άλλων κατασκευαστών. Η ισχύς της μπαταρίας θα μειώνεται σταδιακά με την πάροδο του χρόνου, ακόμα κι αν το εργαλείο δε χρησιμοποιείται.

Η μπαταρία λιθίου προστατεύεται από την πλήρη αποφόρτιση από την Ηλεκτρονική Προστασία Στοιχείων (ECP). Όταν αδειάζει, το μηχάνημα κλείνει μέσω ενός κυκλώματος προστασίας: ο οδηγός σταματάει να περιστρέφεται.



ΠΡΟΕΙΔΟΠΟΙΗΣΗ Μη συνεχιζετε να πατάτε το διακόπτη On/Off ενώ το εργαλείο έχει τεθεί αυτόματα εκτός λειτουργίας. Η μπαταρία μπορεί να κατασταφεί .



ΠΡΟΕΙΔΟΠΟΙΗΣΗ! Φορτίστε την μπαταρία σε μια μη εύφλεκτη επιφάνεια. Μη φορτίζετε την μπαταρία για πάνω από 8 ώρες. Το κόκκινο φως θα γίνει πράσινο όταν η μπαταρία φορτιστεί πλήρως.

Αποσυνδέστε το καλώδιο και αποθηκεύστε τον μετασχηματιστή όταν δε χρησιμοποιείται.

Αποφύγετε τη φόρτιση της μπαταρίας σε θερμοκρασίες ψύχους.

Μετά την αφαίρεση της μπαταρίας από το εργαλείο, ενεργοποιήστε το διακόπτη στροφών (5) μέχρι η μπαταρία να αποφορτιστεί πλήρως.

Ξεβιδώστε τις βίδες από το περίβλημα και αφαιρέστε το. Αποσυνδέστε τις ενώσεις στη μπαταρία και αφαιρέστε την (Βλ. Εικόνα Α).

ΟΔΗΓΙΕΣ ΧΡΗΣΕΩΣ

Αλλαγή εργαλείου

Η υποδοχή του εργαλείου τρυπήματος SDS plus επιτρέπει την απλή και άνετη αλλαγή των εξαρτημάτων τρυπήματος χωρίς τη χρήση επιπλέον εργαλείων. Χάρη στην βασική αρχή της λειτουργίας τους τα εργαλεία τρυπήματος SDS plus κινούνται ελεύθερα. Αυτό έχει ως αποτέλεσμα την ακτινική εκκεντρότητα χωρίς φορτίο. Όμως, αυτό δεν επηρεάζει την ακρίβεια της τρύπας, καθώς η μύτη του τρυπανιού βρίσκεται στο κέντρο της κατά τη διάρκεια του τρυπήματος.

Το εργαλείο τρυπήματος SDS plus μπορεί να δεχτεί διαφορετικούς τύπους μυτών με εξαγωνικό στέλεχος. Το προστατευτικό κάλυμμα για τη σκόνη (2) προστατεύει την υποδοχή του εργαλείου από τη σκόνη κατά τη διάρκεια της λειτουργίας. Όταν τοποθετείτε το ηλεκτρικό εργαλείο, φροντίστε το προστατευτικό κάλυμμα για τη σκόνη να μην έχει υποστεί ζημιά.

Τοποθέτηση των εργαλείων τρυπήματος SDS plus (Βλ. Εικόνα Α)

Καθαρίστε και βάλτε λίγο γράσο στο τέλος του στελέχους του εργαλείου.

Εισάγετε το εργαλείο βιδωτά στην υποδοχή, μέχρι να εφαρμόσει.

Ελέγξτε εάν έχει εφαρμόσει σωστά, τραβώντας το.

Αφαίρεση των εργαλείων τρυπήματος SDS plus (Βλ. Εικόνα Α)



ΠΡΟΕΙΔΟΠΟΙΗΣΗ! Τα εξαρτήματα ίσως να έχουν υπερθερμανθεί μετά τη χρήση. Αποφύγετε την επαφή με το δέρμα και χρησιμοποιείτε προστατευτικά γάντια ή πανιά για να τα αφαιρέσετε. Πιέστε προς τα πίσω το εξάρτημα κλειδώματος (3) και αφαιρέστε το εργαλείο. Όλα τα εξαρτήματα πρέπει να καθαρίζονται μετά την αφαίρεση.

Αναρρόφηση σκόνης/ πριονιδιών

Η σκόνη από ορισμένα υλικά π.χ. από μολυβδόυχες μογιές, από μερικά είδη ξύλου, από ορυκτά υλικά και από μέταλλα μπορεί να είναι ανθυγιεινή. Η επαφή με τη σκόνη ή/και η εισπνοή της μπορεί να προκαλέσει αλλεργικές αντιδράσεις ή/και ασθένειες των αναπνευστικών οδών του χρήστη ή τυχόν παρευρισκομένων ατόμων.

Ορισμένα είδη σκόνης, π.χ. σκόνη από ξύλο βελανιδιάς ή οξιάς θεωρούνται καρκινογόνα, ιδιαίτερα σε συνδυασμό με διάφορα συμπληρωματικά υλικά που χρησιμοποιούνται στην κατεργασία ξύλων (ενώσεις χρωμίου, ξυλοπροστατευτικά μέσα). Η κατεργασία αμιαντούχων υλικών επιτρέπεται μόνο σε ειδικά εκπαιδευμένα άτομα.

- Να φροντίζετε για τον καλό αερισμό του χώρου εργασίας.
- Σας συμβουλευόμαστε να φοράτε μάσκες αναπνευστικής προστασίας με φίλτρο κατηγορίας P2.

Να τηρείτε τις διατάξεις που ισχύουν στη χώρα σας για τα διάφορα υπό κατεργασία υλικά.

Λειτουργία εκκίνησης

Εκκίνηση ηλεκτρικού εργαλείου

Με τον διακόπτη επιλογής λειτουργίας τρυπήματος/τρύπημα με κρούση (4), επιλέγετε τη λειτουργία εκκίνησης.

Σημείωση: Αλλάζετε τη λειτουργία εκκίνησης μόνο όταν το εργαλείο είναι εκτός λειτουργίας! Σε αντίθετη περίπτωση, ενδέχεται να υποστεί ζημιά.

Για αλλαγή της λειτουργίας εκκίνησης, γυρίστε το διακόπτη (4) στην επιθυμητή θέση.



Τοποθετήστε το στη θέση δραπενοκατσάβιδο για την άσφαλτο ή και την πέτρα



Τοποθετήστε το στη θέση τρυπάνι για υλικά όπως ξύλο, μέταλλο, κεραμικό και πλαστικό καθώς και για το βίδωμα

Αντιστροφή της κατεύθυνσης περιστροφής

Ενεργοποιήστε τον περιστροφικό διακόπτη (5) μόνο όταν το εργαλείο βρίσκεται εκτός λειτουργίας.

Το διακόπτη περιστροφής (5) χρησιμοποιείται για την αντιστροφή της κατεύθυνσης περιστροφής. Όμως, αυτό δεν μπορεί να συμβεί όταν ο διακόπτης On/Off (6) είναι ενεργοποιημένος.

Περιστροφή προς τα δεξιά: Για τη λειτουργία του τρυπανιού και του βιδώματος, πιέστε το διακόπτη περιστροφής (5) αριστερά προς το τέλος.

Περιστροφή προς τα αριστερά: Για χαλάρωμα και ξεσφίξιμο, πιέστε το διακόπτη περιστροφής (5) δεξιά προς το τέλος.

Θέση σε λειτουργία και εκτός λειτουργίας

Για να θέσετε σε λειτουργία το εργαλείο, πιέστε το διακόπτη On/Off (6) και κρατήστε το.

Για να θέσετε το εργαλείο εκτός λειτουργίας, αφήστε το διακόπτη On/Off (6) ελεύθερο.

Για χαμηλές θερμοκρασίες, το ηλεκτρικό εργαλείο φτάνει τη μέγιστη απόδοσή του μετά από ορισμένο χρόνο.

Σημείωση: Οι σπινθήρες μπορεί να είναι ορατοί μέσα από τις σχισμές στο περίβλημα του κινητήρα κατά τη λειτουργία. Αυτοί οι σπινθήρες είναι μία φυσιολογική αντίδραση του κινητήρα κατά τη χρήση και δημιουργούνται από τα μέρη στο εσωτερικό του κινητήρα που κινούνται αντίθετα μεταξύ τους. Η λειτουργία του εργαλείου δεν επηρεάζεται από αυτό. Παρόλα αυτά συνιστούμε να μη χρησιμοποιείτε το εργαλείο κοντά σε εύφλεκτα υγρά, αέρια ή σκόνη, που μπορεί να αναφλέξουν οι σπινθήρες.

Ορίστε την ταχύτητα/αριθμό κρούσεων

Η ταχύτητα/αριθμός κρούσεων του ηλεκτρικού εργαλείου που βρίσκεται σε λειτουργία μπορεί να ρυθμιστεί με διάφορους τρόπους, ανάλογα το βαθμό στον οποίο είναι πιεσμένος ο διακόπτης On/Off (6).

Η ελαφριά πίεση στο διακόπτη On/Off (6) έχει ως αποτέλεσμα τη χαμηλή ταχύτητα/αριθμό κρούσεων. Κάθε επιπλέον κίνηση στο διακόπτη αυξάνει την ταχύτητα/αριθμό κρούσεων.

Προστασία κατά της υπερφόρτωσης

Όταν χρησιμοποιείται για το σκοπό που έχει κατασκευαστεί, το ηλεκτρικό εργαλείο δεν μπορεί να υποστεί υπερφόρτωση. Όταν το φορτίο είναι πολύ υψηλό ή η θερμοκρασία ξεπερνάει την επιτρεπτή ανώτατη των 70°C, ο ηλεκτρονικός έλεγχος κλείνει το εργαλείο μέχρι η μπαταρία να επανέλθει στην επιτρεπτή θερμοκρασία ξανά.

Συμβουλές

Εφαρμόστε το ηλεκτρικό εργαλείο στις βίδες/παξιμάδια μόνο όταν είναι κλειστό. Τα περιστρεφόμενα ένθετα εξαρτήματα μπορεί να γλιστρήσουν.

ΣΥΝΤΗΡΗΣΗ ΚΑΙ ΚΑΘΑΡΙΟΤΗΤΑ

Πριν από οποιαδήποτε εργασία με το εργαλείο (π.χ. συντήρηση, αλλαγή εξαρτήματος κτλ) καθώς και κατά τη μεταφορά και την αποθήκευσή του, τοποθετήστε τον περιστροφικό διακόπτη στην κεντρική θέση. Εάν ενεργοποιηθεί κατά λάθος, μπορεί να προκληθεί τραυματισμός.

Για την ασφαλή και σωστή λειτουργία του, πάντα διατηρείται το εργαλείο και τις διόδους εξαερισμού καθαρές.

ΠΕΡΙΒΑΛΛΟΝΤΙΚΕΣ ΟΔΗΓΙΕΣ ΔΙΑΘΕΣΗΣ ΑΠΟΡΡΙΜΜΑΤΩΝ

Βοηθήστε στην προστασία του περιβάλλοντος

Πληροφορίες (για τα νοικοκυριά) σχετικά με την περιβαλλοντικά ορθή διάθεση του ηλεκτρικού και ηλεκτρονικού εξοπλισμού

σύμφωνα με τις κατευθυντήριες γραμμές της διάταξης περί Ανακύκλωσης Ηλεκτρικών & Ηλεκτρονικών Ειδών (WEEE).



Αυτό το σύμβολο στα ηλεκτρικά και ηλεκτρονικά προϊόντα καθώς και τα έγγραφα που τα συνοδεύουν δείχνουν ότι αυτά τα προϊόντα δεν πρέπει να απορρίπτονται μαζί με τα κανονικά οικιακά απορρίμματα. Αντίθετα, τα προϊόντα αυτά πρέπει να μεταφέρονται σε ειδικά σημεία όπου μπορείτε να τα αφήσετε δωρεάν για ανακύκλωση. Σε μερικές χώρες τα ανακυκλώσιμα μπορούν να επιστραφούν και στο μαγαζί απ' όπου αγοράστηκαν με την αγορά ενός αντίστοιχου προϊόντος. Με την ανακύκλωση συμβάλλετε στην εξοικονόμηση πολύτιμων φυσικών πόρων, ενώ ελαχιστοποιείτε τις αρνητικές συνέπειες που επιφέρει η αλόγιστη διάθεση και διαχείριση των απορριμμάτων στην υγεία και το περιβάλλον.

Απόρριψη χαλασμένων/ αποφορτισμένων μπαταριών

Μην πετάτε τις μπαταρίες μαζί με τα οικιακά απορρίμματα, στη φωτιά ή το νερό. Σύμφωνα με τη νομοθεσία, οι χαλασμένες ή αποφορτισμένες μπαταρίες πρέπει να συλλέγονται στο κοντινότερο ειδικά διαμορφωμένο σημείο ή σε μια εταιρεία διαχείρισης μπαταριών. Εάν δεν ανταποκριθείτε σε αυτούς τους κανονισμούς, ίσως να αντιμετωπίσετε ποινές, όπως πρόστιμο κτλ.

Πληροφορίες σχετικά με την απόρριψη, για χρήστες σε εταιρίες χωρών εκτός Ευρωπαϊκής Ένωσης



Αυτό το σύμβολο ισχύει μόνο εντός της Ευρωπαϊκής Ένωσης Παρακαλούμε επικοινωνήστε με τις αρμόδιες αρχές ή με το κατάστημα λιανικής πώλησης στην χώρα σας για πληροφορίες σχετικά με την σωστή μέθοδο απόρριψης αυτού του προϊόντος.

FIXA 锤钻 锂电池 14.4伏**技术参数：**

电压：14.4伏

额定转速：0-900 rpm

冲击率：0-4800 bpm

每钻冲击能量：1.0 J

工具夹头：SDS plus

最大钻孔直径：

-混凝土（使用螺旋钻头）10毫米

-钢8毫米

-木材10毫米

电池：锂离子电池

容量：1.5 Ah

电池数量：4

充电时间：5-7小时

充电器：当地电压

夹头：10毫米，快速夹头

快换式夹头

重量：1.3公斤

振动程度（依据EN 60745-1和EN 60745-2-6
相关规定）：

<ah.D= 5.9 m/s², K= 1.5 m/s²

ah = 4.7 m/s², K = 1.5 m/s²

噪音程度（依据EN 60745-1相关规定）：

噪声声压级Lpa=86 dB (A)

Kpa=3 dB (A),

噪声功率等级Lwa=97 dB (A),

Kwa=3 dB (A)

组件清单

依产品图编号，各部位名称如下：

1. SDS-plus夹头
2. 防尘盖
3. 锁定套筒
4. 正常钻/冲击钻之转换开关
5. 正逆转开关
6. 起停开关
7. 木材用钻头（直径3毫米）
8. 木材用钻头（直径5毫米）
9. SDS钻头（直径5毫米）
10. SDS钻头（直径6毫米）
11. SDS钻头（直径8毫米）

12. 把手（绝缘表面）
13. 充电器连接插座/指示灯
14. 快速夹头
15. 充电器连接插头
16. 充电器用变压器

用途

此锤钻可在混凝土、砖墙和石材上进行震动钻。另外也可使用所附的夹头，在木材、金属、陶材和塑料上进行无震动功能的正常钻。配备电子调节装置和正逆转开关，也可用来转入和转出螺丝。

使用电池充电器前，须充分了解并熟悉所有功能，或接受完整的操作指导。

一般安全说明**电动工具 - 一般安全说明****警告！**

须仔细阅读所有安全警语和说明，并依照警语和说明使用产品，以免造成触电、起火或严重受伤等危险。

请妥善保存说明书，以供参考。

下列警语中提到的“电动工具”，包含插电式或电池式电动工具。

工作区域安全

a. **工作区域需保持干净且光线充足**，以免因环境杂乱和光线不足而发生危险。

b. **电动工具产生的火花可能引起火灾**，因此不可在含有易燃液体、气体或灰尘的爆炸性环境下使用电动工具。

c. **操作电动工具时需避免任何人站在一旁观看**，以免使用者因分心而发生危险。

电气安全

- a. 电动工具插头需符合插座规格，且不可任意更换插头。接地式电动工具不可使用转接器插头。使用正常插头及适合插座，可降低触电危险的发生。
- b. 须避免身体接触如水管、暖气、炉具和冰箱等接地表面，以免造成触电危险。
- c. 不可将电动工具置于潮湿环境，以免湿气侵入造成触电危险。
- d. 不可以拉扯电线的方式搬移电动工具或拔掉插头。电线须远离热源、油、锐利边缘或工具的活动零件，以避免因电线受损或缠绕而造成触电危险。
- e. 在户外操作电动工具时，需使用户外用延长线，以降低触电危险。
- f. 需在潮湿地点使用电动工具时，请使用漏电断路器(RCD)。使用漏电断路器可减少触电危险。

个人安全

- a. 操作电动工具时须格外专注，并保持警觉。当感觉疲劳或因药物、酒精而导致精神不济时，不可使用电动工具，以免造成严重伤害。
- b. 操作电动工具时须戴上护目镜，并使用安全装备，如防尘口罩、防滑安全鞋、安全帽或耳罩，以降低受伤的危险。
- c. 在电源开启状态下，搬移电动工具或插上插头，都可能会造成受伤的危险。为避免意外的发生，插上插头或装入电池前须确认电源关闭。
- d. 开启电源前，先拆下可调整键或扳手。若未将旋转零件上的扳手或调整键拆下，可能会造成伤害。
- e. 不可过度使用。操作电动工具时保持稳固和平衡，有助于在突发状况下有效控制工具。
- f. 操作电动工具时需穿着适当服装，不可穿着宽松衣物或配戴饰品。操作时，务必让头发、衣物和手套远离活动零件。由于宽松衣物、饰品或头发容易被活动零件夹住，

- g. 如果电动工具内建可连接吸尘和收集设备的装置，需确认装置稳固连接和正确使用。使用这些装置可降低因灰尘而引起的危险。

电动工具的使用和保养

- a. 不可错误使用电动工具，需依不同物品材质使用正确的电动工具。正确的电动工具可使工作事半功倍，更加安全。
 - b. 如果电源无法正常开关，不可使用电动工具。无法正常操作的电动工具须立即维修，以免发生危险。
 - c. 调整设定、更换配件或存放电动工具前，须先拔掉插头或取下电池。此种安全预防方法，可降低误启电动工具的危险。
 - d. 电动工具不用时需存放在孩童接触不到的地方。不可让不熟悉电动工具或操作说明的人接触电动工具，以免发生危险。
 - e. 保养电动工具。检查活动零件是否调整错误或链节固定、零件是否破损，以及可能影响电动工具操作的其他状况。如有损坏，使用前，应立即让专人维修。须定期保养电动工具，以免使用时发生意外。
 - f. 为保持切割工具的锐利度和清洁，可适当的磨利切割刀缘，减缓紧度，方便使用。
 - g. 依照说明书，以及特殊电动工具的使用方法，并考虑工作状况和物品材质，使用电动工具、配件和工具。如用作其他用途，可能造成危险。
 - h. 在固定零件可能接触到电线或本身的电源线的地方作业时，请握住工具的绝缘把手。固定零件接触到通电的电线，可能使工具之金属部分导电，并造成触电的危险。
- ## 电池式电动工具使用与保养说明
- a. 仅能用产品提供的充电器充电。须使用适合充电器类型的电池，以免造成危险。

b. 仅能使用适合的电池，以免造成伤害和起火的危险。

c. 电池不使用时，须放在远离回形针、硬币、钥匙、铁钉、螺丝等可能连接电池两端的地方。电池短路可能造成烧伤或火灾。

d. 不可任意使用充电器，以免因电池破裂而接触到有毒物质。如果不小心接触到有毒物质，立即冲水清洗。因电池内的有毒物质会造成过敏或烧伤，如果眼睛不小心接触到，须立即就医。

服务

a. 须由合格的修护人员来维修电动工具，并只能使用相同的替换零件。
如此能确保电动工具的安全性。

机器特定安全说明

安全警告

使用锤钻时，须戴上耳罩，以免因暴露于噪音环境下而造成听力受损。

使用适合的侦测器，以便找出隐藏在工作场所的电源线，或向当地的供电单位索取相关资料。电动工具须避免接触到下列物品：电线，输气管道和水管，以免引起火灾、爆炸和造成触电。

安装在机器上的工具卡住时，须立即关闭机器电源并保持镇静。此时机器会产生极高的反作用力矩，并造成反冲。造成工具卡住的原因如下：

- 电动工具超过负荷，或工具在机器部件上卡住。

操作电动工具时，务必用双手握紧电动工具，并确保站稳脚步。
用双手操作电动工具会比用单手更稳固。

固定部件。使用固定装置或老虎钳固定部件，会比用手握更牢固。

工作场所须保持干净。不同材质经钻孔后所产生的

粉尘经过混合后容易产生化学反应，十分危险。轻合金粉尘容易着火或引起爆炸。

等待电动工具完全静止后才能放下。电动工具上的工具可能在工作中卡住，而使你无法控制电动工具。

在电动工具上进行任何维护工作(如维修、更换工具等)，以及搬运和收纳此锤钻之前，正逆转开关须设定在中间位置，以免意外启动电源造成伤害。

电动工具须远离火源、水和湿气，以及避免阳光照射，以免造成爆炸的危险。

如果电池受损或不当使用电池，可能会产生蒸气。工作场所务必保持通风，若身体感到不适，请立即寻求医疗协助。电动工具所产生的蒸气会造成呼吸系统过敏。

电池充电器安全警告



仅供室内使用。



双重绝缘。

不要让电池充电器淋雨或暴露于潮湿的环境中，水分渗入充电器中会增加触电的危险。

不可用来替其他电池充电，电池充电器只适用于此电动工具的电池，以免造成起火和爆炸的危险。

电池充电器须保持干净。污垢会造成触电的危险。

每次使用前，先检查电池充电器、电线和插头是否受损。若发现损坏，请立即停止使用。不可自行拆解电池充电器、电线和插头，须交由专业维修人员进行维修。使用受损的电池充电器、电线和插头会增加触电的危险。

不可在易燃表面或附近（如纸、纺织品等）操作电池充电器，以免因充电时，电池充电器过热而造成起火的危险。

不使用的电池充电器须存放在儿童接触不到的地方。

振动信息

振动标准

使用说明中提到的振动标准是依照EN 60745规定的标准测试计算。此振动标准可让你依不同用途，比较振动程度。电动工具会因不同物品材质或疏于保养配件的状况下，增加振动程度。

工具的振动程度会因关闭电源或空转的次数而降低。

保养工具和配件、双手保持温暖及规划工作模式，能避免因工具振动而造成的伤害。

组装

在电动工具上进行任何维护工作(如维修、更换工具等)，以及搬运和收纳之前，正逆转开关须设定在中间位置，以免意外启动电源造成伤害。

为电池充电

为锤钻充电。

充电器连接电源时，锤钻上的红色指示灯会亮起。充电时，指示灯(13)会持续亮着。

在正常使用状态下，锤钻可重复充电数百次。

警告！在充电过程中电池会发热。

注意：锤钻所附的电池，只完成了部分充电以使用户测试，因此，正式使用前，须先将电池充满电。

使用前，请先阅读安全说明和安装说明。将充电器连接插头(15)插入锤钻上的充电器连接插座(13)，再把充电器的变压器连接到电源插座。

须避免电线缠绕打结而造成危险。

此锤钻的电池只能用所附的充电器用变压器充电。

此充电器只适用于同制造商生产的电动工具或电池。一段时间后，即使不使用电动工具，电池电量仍会逐渐消耗。

锂电池配备电子保护装置(ECP)，可防止电池过度放电。电池电量用尽后，保护开关会自动关闭电动工具，安装在锤钻上的工具会停止转动。



警告！锤钻自动关闭电源后，不可持续按压电源开关，以免损害电池。



警告！充电时，充电器须放在不易燃的表面上。充电时间不可超过8小时。电池充满电时，指示灯会从红灯转换成绿灯。

变压器不使用时，须拔掉插头，并收纳在适合的地方。

不可在低温环境下为电池充电。

拆下电池前，持续启动起停开关(6)，直到电池电量完全用尽。松开外盖的螺丝，以便取下。切断电池的电源连接，再拆下电池(如图B所示)。

使用说明

更换工具

SDS plus夹头能让你不需额外的工具就能方便地更换钻头工具。由于锤钻的构造，SDS plus钻头工具可以任意移动，如此会造成径向偏转。但是，如同钻洞时钻头置于中间的状况，钻头工具任意移动的情形不会影响钻洞的准确性。

SDS plus夹头亦适用于不同类型的六角柄钻头。防尘盖(2)的用途是防止钻洞时产生的粉尘侵入夹头。安装工具时务必小心，避免损坏防尘盖(2)。

安装SDS plus钻头工具(如图A所示)

清洁接头柄的末端，并在接头柄末端涂抹少许润滑油。

将工具转入夹头，直到工具自动锁定为止。

抽拉工具，以确认夹头是否已经锁定。

拆卸SDS plus钻头工具(如图A所示)



警告！工具使用后，配件可能会变热。使用隔热手套或抹布取出工具，避免接触到皮肤。

往后推移锁定套筒(3)，并取出工具。所有配件拆下后，都应擦拭干净。

吸尘说明

钻孔时产生的粉尘（如含铅涂料、部分木材、矿物和金属）有害人体健康。接触或吸入粉尘，会使操作者或旁观者出现过敏反应，或导致呼吸道感染。

部份粉尘含有致癌物质，如添加木质护理涂料（铬、木质防腐剂）的橡木或桦木屑。含石棉的材料只能由专业人员切割处理。

工作场所须保持良好通风。
操作锤钻时，建议戴上P2滤网等级的防尘口罩。

操作锤钻钻孔时，务必遵守当地相关规定。

开始操作

设定操作模式

使用正常钻/冲击钻之转换开关(4)，设定操作模式。

注意：改变操作模式时，须先关闭锤钻电源，以免损坏锤钻。

将正常钻/冲击钻之转换开关(4)转到需要的位置，以改变操作模式。



冲击钻适用于混凝土或石材。



正常钻可在木材、金属、陶材和塑料上钻孔，以及转紧螺丝。

改变转向

务必在锤钻静止的状态下，才能启动正逆转开关(5)。

正逆转开关(5)可用来改变锤钻的转向。按住起停开关(6)，则无法改变转向。

正转：适用于钻孔和转紧螺丝，把正逆转开关(5)向左推到底。

逆转：适用于松开/转出螺丝和螺帽，把正逆转开关(5)向右推到底。

启动/关闭

按下并持续按住起停开关(6)，即可启动锤钻。
放开起停开关(6)，即可关闭锤钻。

在低温状态下，电动工具需经过一段时间，才能达到冲击钻的完全转速。

注意：操作时，电机外壳的沟槽可能产生火花。使用时产生火花是正常现象，这是因为电机内侧的零件相互摩擦所造成，电动工具的功能不会受到影响。电动工具产生的火花可能引起火灾，切勿在含有易燃液体、气体或灰尘的环境下使用电动工具。

调整转速/冲击率

根据使用者在起停开关(6)上的施压轻重程度，可提高或降低转速/冲击率。

轻按起停开关(6)，锤钻会以低转速/冲击率运作。
增强施加在起停开关上的压力，可提高锤钻的转速/冲击率。

温度超载保护装置

使用时，不可使电动工具超过负荷。电动工具负载过高或电池温度超过70℃时，电动控制开关会关闭电动工具的电源，直到锤钻恢复至适当的温度后，才可以重新运作。

操作建议

先关闭电动工具的电源，再把工具放在螺丝/螺帽上。安装在接头上的工具如果仍继续转动，容易从螺丝/螺帽上滑开。

清洁保养说明

在对机器进行任何操作前（比如，保养、更换工具等）和储存和运输的过程中，请将旋转方向开关置于中间位置。不小心启动电源开关可能会导致受伤。

为了安全妥善的工作，请保持机器和通风口干净。

环保处理说明

帮助保护环境

对于家庭，关于环保、安全地处理电气和电子设备的信息，请参照WEEE指令（废旧电器电子设备指令）。



电器和电子产品上的该符号以及产品所附的相关文件，表示该类产品不能与普通家庭垃圾一起丢弃。该类产品必须送去指定的回收点免费回收、处理和再次循环使用。在一些国家，也可以将产品送回出售点，购买新的替代产品。通过正确处理此产品，您可以在帮助保护珍贵的自然资源，并减少因不负责任地处理和管理垃圾而对人类健康和环境造成的负面影响。请联系当地相关部门，咨询关于本地WEEE回收点的信息。根据法律，未经许可，擅自胡乱处理此类废弃物，可能会被罚款或受到其他惩罚。

废旧电池的处理

废旧电池不能与普通家庭垃圾一起处理或丢弃。根据法律，废旧电池必须送去电池回收处或电池管理公司。如不能遵守这些规定，您可能被罚款或受到其他处罚。

欧盟以外国家用户应了解的垃圾处置信息



该标记仅用于欧盟内部。请联系本国的相关机构或零售商，获取正确处置该产品的相关信息。

FIXA 鏈鑽 鋰電池 14.4V**技術規格**

電壓：14.4 V

額定轉速：0-900 rpm

衝擊率：0-4800 bpm

單一衝擊強度：1.0 J

工具夾頭：SDS plus

最大鑽孔直徑：

-混凝土(使用螺旋鑽頭) 10公釐

-鋼8公釐

-木材10公釐

電池：鋰電池

電量：1.5 Ah

電池數量：4

充電時間：5-7小時

充電器：當地電壓

夾頭：10釐米·快速夾頭

快換式夾頭

重量：1.3公斤

振動程度(依據EN 60745-1和EN 60745-2-6相關規定)：

$$<a_h, D=5.9 \text{ m/s}^2, K=1.5 \text{ m/s}^2$$

$$a_h=4.7 \text{ m/s}^2, K=1.5 \text{ m/s}^2$$

噪音程度(依據EN 60745-1相關規定)：

$$\text{音壓位準} L_{pa}=86 \text{ dB (A)},$$

$$K_{pa}=3 \text{ dB (A)},$$

$$\text{聲功率位準} L_{wa}=97 \text{ dB (A)},$$

$$K_{wa}=3 \text{ dB (A)}$$

產品部位名稱

依產品圖編號，各部位名稱如下：

1. SDS-plus夾頭
2. 防塵蓋
3. 鎖定套筒
4. 正常鑽/衝擊鑽之轉換開關
5. 正逆轉開關
6. 起停開關
7. 木材用鑽頭(直徑3公釐)

8. 木材用鑽頭(直徑5公釐)

9. SDS鑽頭(直徑5公釐)

10. SDS鑽頭(直徑6公釐)

11. SDS鑽頭(直徑8公釐)

12. 把手(絕緣表面)

13. 充電器連接插座/指示燈

14. 快速夾頭

15. 充電器連接插頭

16. 充電器用變壓器

使用區域

此鏈鑽可在混凝土、磚牆和石材上進行震動鑽。另外也可使用所附的夾頭，在木材、金屬、陶材和塑料上進行無震動功能的正常鑽。配備電子調節裝置和正逆轉開關，也可用來轉入和轉出螺絲。

使用電池充電器前，須充分了解並熟悉所有功能，或接受完整的操作指導。

特殊機器安全說明**電動工具 - 一般安全說明**

警告！



須仔細閱讀所有安全警語和說明，並依照警語和說明使用產品，以免造成觸電、起火或嚴重傷害等危險。

請妥善保存說明書，以供參考。

下列警語中提到的“電動工具”，包含插電式或電池式電動工具。

工作區域安全

a. 工作區域需保持乾淨及光線充足，以免因環境雜亂和光線不足而發生危險。

- b. 電動工具產生的火花可能引起火災，因此不可在含有易燃液體、氣體或灰塵的爆炸性環境下使用電動工具。
- c. 操作電動工具時需避免任何人站在一旁觀看，以免使用者因分心而發生危險。

電氣安全

- a. 電動工具插頭需符合插座規格，且不可任意更換插頭。接地式電動工具不可使用轉接器插頭。使用正常插頭及適合插座，可降低觸電危險的發生。
- b. 須避免身體接觸如水管、暖氣、爐具和冰箱等接地表面，以免造成觸電危險。
- c. 不可將電動工具置於潮濕環境，以免溼氣侵入造成觸電危險。
- d. 不可以拉扯電線的方式搬移電動工具或拔掉插頭。電線須遠離熱源、油、銳利邊緣或工具的活動零件，以避免因電線損害或纏繞而造成觸電危險。
- e. 在戶外操作電動工具時，需使用戶外用延長線，以降低觸電危險。
- f. 需在潮溼地點使用電動工具時，請使用漏電斷路器(RCD)。使用漏電斷路器可減少觸電危險。

個人安全

- a. 操作電動工具時須格外專注，並保持警覺。當感覺疲勞或因藥物、酒精而導致精神不濟時，不可使用電動工具，以免造成嚴重傷害。
- b. 操作電動工具時須戴上護目鏡，並使用安全裝備，如防塵口罩、防滑安全鞋、安全帽或耳罩，以降低受傷的危險。
- c. 在電源開啟狀態下，搬移電動工具或插上插頭，都可能造成受傷的危險。為避免意外的發生，插上插頭或裝入電池前須確認電源關閉。
- d. 開啟電源前，先拆下可調整鍵或扳手。若未將旋轉零件上的扳手或調整鍵拆下，可能會造成傷害。

e. 不可過度使用。操作電動工具時保持穩固和平衡，有助於在突發狀況下有效控制工具。

f. 操作電動工具時需穿著適當服裝，不可穿著寬鬆衣物或配戴飾品。由於寬鬆衣物、飾品或頭髮容易被活動零件夾住，操作時，務必讓頭髮、衣物和手套遠離活動零件。

g. 如果電動工具內建可連接吸塵和收集設備的裝置，需確認裝置穩固連接和正確使用。使用這些裝置可降低因灰塵而引起的危險。

電動工具使用與保養說明

a. 不可錯誤使用電動工具，需依不同物品材質使用正確的電動工具。正確的電動工具可使工作事半功倍，更加安全。

b. 如果電源無法正常開關，不可使用電動工具。無法正常操作的電動工具須立即維修，以免發生危險。

c. 調整設定、更換配件或存放電動工具前，須先拔掉插頭或取下電池。如此的安全預防方法，可降低誤啟電動工具的危險。

d. 電動工具不用時需存放在孩童接觸不到的地方。不可讓不熟悉電動工具或操作說明的人接觸電動工具，以免發生危險。

e. 保養電動工具。檢查活動零件是否調整錯誤或連結固定，零件是否破損及可能影響電動工具操作的其他狀況。如果發現電動工具受損，使用前需維修工具。須定期保養電動工具，以免使用時發生意外。

f. 為保持切割工具的銳利度和清潔，可適當的磨利切割刀緣，減緩緊度，方便使用。

g. 依照說明書，以及特殊電動工具的使用方法，並考慮工作狀況和物品材質，使用電動工具、配件和工具。錯誤的使用方式，可能會造成危險的發生。

h. 在固定零件可能接觸到電線或本身的電源線的地方作業時，請握住工具之絕緣把手。固定零件接觸到通電的電線，可能使工具之金屬部分導電，並造成觸電的危險。

電池式電動工具使用與保養說明

- a. 僅能用產品提供的充電器充電。須使用適合充電器類型的電池，以免造成危險。
- b. 僅能使用適合的電池，以免造成傷害和起火的危險。
- c. 電池不使用时，須放在遠離迴紋針、硬幣、鑰匙、鐵釘、螺絲等可能連接電池兩端的地方。電池短路可能造成燒傷或火災。
- d. 不可任意使用充電器，以免因電池破裂而接觸到有毒物質。如果不小心接觸到有毒物質，立即沖水清洗。因電池內的有毒物質會造成過敏或燒傷，如果眼睛不小心接觸到，須立即就醫。

服務

- a. 須由合格的修護人員來維修電動工具，並只能使用相同的替換零件。
如此能確保電動工具的安全性。

特殊安全說明

安全警告

使用鉗鑽時，須戴上耳罩，以免因暴露於噪音環境下而造成聽力受損。

使用適合的偵測器，以便找出隱藏在工作場所的電源線，或向當地的供電單位索取相關資料。電動工具須避免接觸到下列物品：電線、瓦斯管和水管，以免引起火災、爆炸和造成觸電。

安裝在機器上的工具卡住時，須立即關閉機器電源並保持鎮靜。此時機器會產生極高的反應力矩，並造成回擊。造成工具卡住的原因如下：

- 電動工具超過負荷，或工具在機器部件上卡住。

操作電動工具時，務必用雙手握緊電動工具，並確保站穩腳步。

用雙手操作電動工具會比用單手更穩固。

固定機器部件。 使用固定裝置或老虎鉗固定機器部件，會比用手持握更牢固。

工作場所須保持乾淨。 不同材質經鑽孔後所產生的粉塵經過混合後容易產生化學反應，十分危險。輕合金粉塵容易著火或引起爆炸。

等待機器完全靜止後才能放下。 機器上的工具可能在工作中卡住，而使你無法控制電動工具。

在電動工具上進行任何維護的工作(如維修、更換工具等)，以及搬運和收納之前，正逆轉開關須設定在中間位置，以免意外啟動起停開關造成傷害。

電動工具須遠離火源、水和溼氣，以及避免陽光照射，以免造成爆炸的危險。

如果電池受損或不當使用電池，可能會產生蒸氣。工作場所務必保持通風，若身體感到不適，請立即尋求醫療協助。電動工具所產生的蒸氣會造成呼吸系統過敏。

電池充電器之安全警告



僅適合室內使用。



雙重絕緣。

不要讓電池充電器淋雨或暴露於潮溼的環境中，水分滲入充電器中會增加觸電的危險。

電池充電器只適用於此電動工具的電池，不可用來替其他電池充電，以免造成起火和爆炸的危險。

電池充電器須保持乾淨。污垢會造成觸電的危險。

每次使用前，先檢查電池充電器、電線和插頭是否受損。若發現損壞，請立即停止使用。不可自行拆解電池充電器、電線和插頭，須交由專業維修人員進行維修。使用受損的電池充電器、電線和插頭會增加觸電的危險。

不可在易燃表面或附近(如紙、布織品等)操作電池充電器，以免因充電時，電池充電器過熱而造成起火的危險。

不使用的電池充電器須存放在兒童接觸不到的地方。

震動資訊

振動標準

使用說明中提到的振動標準是依照EN 60745規定的標準測試計算。此振動標準可讓你依不同用途，對照震動程度。電動工具會因不同物品材質或疏於保養配件的狀況下，增加震動程度。

工具的振動程度會因關閉電源或空轉的次數，降低震動程度。

保養工具和配件、雙手保持溫暖及規劃工作模式，能避免因工具震動而造成的傷害。

組裝說明

在電動工具上進行任何維護的工作(如維修、更換工具等)，以及搬運和收納此機器之前，正逆轉開關須設定在中間位置，以免意外啟動電源造成傷害。

為電池充電

為鎚鑽充電。

充電器連接電源時，震動電鑽上的紅色指示燈會亮起。充電時，指示燈(13)會持續亮著。

在正常使用狀態下，機器可重複充電數百次。

注意！在充電過程中電池會發熱。

注意：鎚鑽所附的電池，只完成部份充電用來測試，因此，使用前，須先將電池充滿電。

先仔細閱讀安全說明，並依照指示操作此震動電鑽。將充電器連接插頭(15)插入鎚鑽上的充電器連接插座(13)，再把充電器的變壓器連接到電源插座。

須避免電線纏繞打結而造成危險。

此鎚鑽的電池只能用所附的充電器用變壓器充電。

此充電器只適用於同製造商生產的電動工具或電池。一段時間後，即使不使用電動工具，電池電量仍會逐漸消耗。

鋰電池配備電子保護裝置(ECP)，可防止電池過度放電。電池電量用盡後，保護開關會自動關閉電動工具，安裝在機器上的工具會停止轉動。



警告！機器自動關閉電源後，不可持續按壓電源開關，以免損害電池。



警告！充電時，充電器須放在不易燃的表面上。充電時間不可超過8小時。電池充滿電時，指示燈會從紅燈轉換成綠燈。

變壓器不使用時，須拔掉插頭，並收納在適合的地方。

不可在低溫環境下為電池充電。

拆下電池前，持續啟動起停開關(5)，直到電池電量完全用盡。鬆開外蓋的螺絲，以便取下。切斷電池的電源連接，再拆下電池(如圖A)。

使用說明

更換工具

SDS plus夾頭能讓你不需額外的工具就能方便的更換鑽頭工具。由於機器的構造，SDS plus鑽頭工具可以任意移動，如此會造成徑向偏轉。但是，如同鑽洞時鑽頭置於中間的狀況，鑽頭工具任意移動的情形不會影響鑽洞的準確性。

SDS plus夾頭亦適用於不同類型的六角柄鑽頭。防塵蓋(2)的用途是防止鑽洞時產生的粉塵侵入夾頭。安裝工具時務必小心，避免損壞防塵蓋(2)。

安裝SDS plus鑽頭工具(如圖A)

清潔接頭柄的末端，並在接頭柄末端塗抹少許潤滑油。

將工具轉入夾頭，直到工具自動鎖定為止。

抽拉工具，以確認夾頭是否已經鎖定。

拆卸SDS plus鑽頭工具(如圖A)



警告！工具使用後，配件可能會變熱。使用隔熱手套或抹布取出工具，避免接觸到皮膚。往後推移鎖定套筒(3)，並取出工具。所有配件拆下後，都應擦拭乾淨。

吸塵說明

鑽孔時產生的粉塵(如含鉛塗料、部分木材、礦物和金屬)有害人體健康。接觸或吸入粉塵，會使操作者或旁觀者出現過敏反應，或導致呼吸道感染。

部份粉塵含有致癌物質，如添加木質護理塗料(銻、木質防腐劑)的橡木或樺木屑。含石棉的材料只能由專業人員切割處理。

- 工作場所須保持通風良好。
- 操作機器時，建議戴上P2濾網等級的防塵口罩。

操作機器鑽孔時，務必遵守當地相關規定。

開始操作

設定操作模式

使用正常鑽/衝擊鑽之轉換開關(*)，設定操作模式。

注意：改變操作模式時，須先關閉機器電源，以免損壞機器。

將正常鑽/衝擊鑽之轉換開關(4)轉到需要的位置，以改變操作模式。



衝擊鑽適用於混凝土或石材。



正常鑽可在木材、金屬、陶材和塑料上鑽孔，以及轉緊螺絲。

改變轉向

務必在機器靜止的狀態下，才能啟動正逆轉開關(5)。

正逆轉開關(5)可用來改變機器的轉向。按住起停開關(6)，則無法改變轉向。

正轉：適用於正常鑽和轉緊螺絲，把正逆轉開關(5)向左推到底。

逆轉：適用於放鬆/轉出螺絲和螺帽，把正逆轉開關(5)向右推到底。

啟動/關閉

按下並持續按住起停開關(6)，即可啟動機器。

放開起停開關(6)，即可關閉機器。

在低溫狀態下，電動工具需經過一段時間，才能達到衝擊鑽的完全轉速。

注意：操作時，馬達外殼的溝槽可能產生火花。使用時產生火花是正常現象，這是因為馬達內側的零件相互摩擦所造成。電動工具的功能不會受到影響。電動工具產生的火花可能引起火災，切勿在含有易燃液體、氣體或灰塵的環境下使用電動工具。

調整轉速/衝擊次數

隨著在起停開關(6)上施壓大小，可提高或降低轉速/衝擊次數。

輕按起停開關(6)，機器會以低轉速/衝擊次數運作。增強施加在起停開關上的壓力，可提高機器的轉速/衝擊次數。

溫度超載保護裝置

使用時，不可使電動工具超過負荷。電動工具負載過高或電池溫度超過70 °C時，電動控制開關會關閉電動工具的電源，直到機器恢復至適當的溫度後，才可以重新運作。

操作建議

先關閉電動工具的電源，再把工具放在螺絲/螺帽上。安裝在接頭上的工具如果仍繼續轉動，容易從螺絲/螺帽上滑開。

保養與清潔

在電動工具上進行任何維護的工作(如維修、更換工具等)，以及搬運和收納此機器之前，正逆轉開關須設定在中間位置，以免意外啟動電源造成傷害。

機器和通風孔務必保持乾淨，以確保工作的安全性。

環保處理說明

環保資訊

適用一般用戶的電器電子設備廢棄物處理相關資訊，符合廢電機電子設備指令(WEEE)的規定。



標示在電器電子產品上的這個符號及所附文件，這些產品不可與一般家庭廢棄物一起丟棄。這些廢棄產品必須送至回收站，回收人員會免費接收及適當處理這些產品。在某些國家，購買同款的新產品時，同時需將廢棄產品送回銷售地點。適當的處理廢棄產品可幫助節省珍貴的天然資源，並消除不當丟棄處理廢棄物對健康及環境所產生的負面影響。請聯絡當地的相關機構，以取得廢電器電子設備回收站的相關訊息。不當處理此類廢棄物，可能會依法處以罰金或其他刑責。

丟棄損耗電池

不可將損耗電池當作一般家用廢棄物丟棄、燒毀或丟入水中。依據相關法律規定，損耗電池須送至回收站。不當處理此類廢棄物，可能會依法處以罰金或其他刑責。

適用於非歐盟國家使用者的相關處理資訊。



此符號僅適用於歐盟。

請聯絡相關機構，以取得正確的廢棄產品處理辦法。

FIXA 해머 드릴, 리튬이온 14.4V**제품 사양**

전압: 14.4 V

정격 속도: 0-900 rpm

타격률: 0-4800 bpm

스트로크당 타격력: 1.0 J

툴 홀더: SDS plus

최대 드릴 직경:

- 콘크리트 (트위스트 드릴 장착시) 10 mm (3/8")

- 철재 8 mm (5/16")

- 목재 10 mm (3/8")

전지: 리튬이온 전지

용량: 1.5 Ah

전지셀 수: 4

충전시간: 5-7 h

충전기: 현지 전기 전압

별도 척: 10 mm (3/8"), 키레스,

순간교환 척

무게: 1.3 kg (2.86 lbs)

진동수준:(EN 60745-1, EN 60745-2-6 기준):

 $a_{h,D}=5.9m/s^2$, $K=1.5 m/s^2$ $a_{v}=4.7 m/s^2$, $K=1.5 m/s^2$

소음 (according to EN 60745-1):

음압 레벨 $L_{pa}=86$ dB (A), $K_{pa}=3$ dB (A),음향 파워 레벨 $L_{wa}=97$ dB (A), $K_{wa}=3$ dB (A)**주요 기능**

아래의 번호는 그림 설명 페이지의 해머 드릴 그림에 표기된 번호와 일치합니다.

1. SDS plus 툴 홀더
2. 먼지 보호 마개
3. 잠금 슬라이브
4. 선택 스위치, 해머 드릴/드릴
5. 회전 방향 스위치
6. On/Off 스위치
7. Ø 3mm (1/8") 목재용 비트, 교체형 척과 함께 사용 (무충격 드릴 작업용)
8. Ø 5mm (3/16") 목재용 비트, 교체형 척과 함께 사용 (무충격 드릴 작업용)
9. Ø 5mm (3/16") SDS 비트
10. Ø 6mm (1/4") SDS 비트 (충격 드릴 작업용)

11. Ø8mm (5/16") SDS 비트 (충격 드릴 작업용)
12. 손잡이 (절연성 재질)
13. 충전기 연결 소켓, 발광 다이오드
14. 교체형 척
15. 충전기 연결부
16. 충전기 어댑터

용도

이 제품은 콘크리트, 벽돌, 석재 등에 해머 드릴작업에 사용해야 하며 목재, 금속, 세라믹, 플라스틱에 타격 없이 드릴작업을 하기에에도 적합합니다. 전자식으로 제어되고 오른쪽/왼쪽 회전이 가능한 공구는 드라이버로 사용하기에도 적합합니다.

전지 충전기를 사용하려면 먼저 관련 기능을 충분히 이해하고 어떠한 제약없이도 사용할 수 있거나 제품 작동에 필요한 안내를 받아야만 합니다.

기계 관련 안전 사항**전동공구 관련 일반 안전 사항****경고!****안전 경고와 설명을 모두 꼼꼼하게**

읽으세요. 아래 경고와 설명을 따르지 않으면 전기 충격, 화재, 심각한 부상이 발생할 수도 있습니다.

참고용으로 경고와 설명을 별도 보관하세요.

이하 경고에서 언급되는 "전동공구"의 정의는 전기 전원으로 작동하는 (유선) 전동공구와 전지로 작동하는 (무선) 전동공구를 의미합니다.

작업 공간 안전**a. 작업 공간을 깨끗하고 환하게 유지하세요.**

지저분하고 어두운 곳은 사고가 일어나기 쉽습니다.

b. 폭발의 위험이 있는 곳에서 전동공구를 작동하면 안됩니다. 가연성 액체, 가스나 먼지가 있는 곳을 피하세요. 전동공구를 사용하는 과정에서 스파크가 발생하면 연기의 먼지에 불이 붙을 수도 있습니다.

c. 전동공구를 사용할 때는 아이들과 구경하는 사람들이 가까이 오지 못하도록 하세요. 집중력이 흐려지면 통제력도 떨어집니다.

전기 안전

a. 전동공구의 플러그는 콘센트에 잘 맞아야 합니다. 플러그를 어떤 방법으로도 변형하지 마세요. 접지 전동공구에는 아답터 플러그를 사용하지 마세요. 변형하지 않은 오리지널 플러그와 이에 알맞는 콘센트를 사용해야 전기 충격의 위험이 줄어듭니다.

b. 파이프, 라디에이터, 레인지와 냉장고와 같은 접지면과 신체적인 접촉을 피하세요. 사용자의 몸이 접지 상태일 경우 전기 충격의 위험이 증가합니다.

c. 전동공구를 비나 젖은 곳에 두지 마세요. 제품에 물이 닿으면 전기 충격의 위험이 역시 증가합니다.

d. 코드를 잘못 사용하지 마세요. 전동공구를 들고 당기고 플러그를 뽑 때 코드로 헤서는 안됩니다. 코드는 열기, 오일, 날카로운 끝과 움직이는 부품과는 가까이 두지 마세요. 손상되거나 꼬인 코드는 전기 충격의 위험을 증가시킵니다.

e. 전동공구를 실외에서 사용할 때는 실외에서 사용하기 적합한 연장 코드를 사용하세요. 실외에서 사용 가능한 연장코드는 전기 충격의 위험을 줄여줍니다.

f. 습한 곳에서 제품 사용이 불가피한 경우, 누전차단 기능의 장치 (RCD)와 함께 사용해야 합니다. RCD를 사용하면 전기 충격의 위험이 줄어듭니다.

개인 안전

a. 전동공구를 사용할 때는 항상 주의를 기울이고, 똑바로 주시하고 상식에 맞게 사용하도록 하세요. 피곤하거나 약물, 술 또는 의약품의 영향아래 있다면 전동 공구를 사용하지 마세요. 잠시라도 주의를 잃으면 심각한 부상을 입을 수도 있습니다.

b. 안전 장비를 사용하세요. 눈에도 보호 장비를 착용하세요. 방진마스크, 미끄럼방지 신발, 헬멧, 귀마개 등과 같은 보호장비를 사용해야 부상을 예방할 수 있습니다.

c. 의도하지 않은 공구 시동을 예방하세요. 플러그를 꽂기 전, 전지를 연결하기 전, 공구를 들어올리거나 옮길 때 등 스위치가 꺼져 있는 상태인지 확인하세요. 손가락을 스위치에 건 상태에서 공구를 옮긴다거나 스위치가 켜진 상태에서 플러그를 끼우는 행동은 사고를 불러일으킵니다.

d. 전동공구를 켜기 전에 조정 키나 렌치를 치우세요. 렌치나 키가 공구의 회전 부분에 달려 있을 경우에는 부상이 발생할 수 있습니다.

e. 몸을 무리하게 뻗지 마세요. 안정된 자세와 균형을 유지하세요. 예상하지 못한 상황에서 전동공구에 대한 제어력이 떨어지지 않도록 해줍니다.

f. 옷을 적절하게 입어야 합니다. 헐렁한 옷이나 액세서리를 착용하지 마세요. 머리, 옷과 장갑을 움직이는 부품과 멀리 하세요. 헐렁한 옷, 액세서리, 긴 머리등은 움직이는 부품에 걸려 얽힐 수 있습니다.

g. 먼지 추출 및 집진 장비와 연결할 수 있는 장치가 있으면 정확하게 연결한 후 올바르게 사용하세요.이 장치들을 통해 위험요소를 가진 먼지들을 제거할 수 있습니다.

전동공구 사용과 관리

- 전동공구에 무리한 힘을 가하지 마세요. 작업에 알맞는 공구를 사용하세요. 용도에 맞는 공구를 사용해야 효과적이고 안전한 작업이 가능합니다.
- 전원 스위치가 작동하지 않으면 제품을 사용하지 마세요. 스위치로 조작을 할 수 없는 전동공구는 위험하니 반드시 수리를 받으세요.
- 설정을 조정하거나, 부속품을 교환하거나 보관을 할 때는 플러그를 뽑으세요. 이와 같은 안전 조치는 전동 공구가 의도되지 않게 시동되는 것을 방지해줍니다.
- 사용하지 않는 전동공구는 아이들의 손이 닿지 않는 곳에 보관하세요. 전동공구 자체 또한 그 조작 방법에 익숙하지 않은 사람이 전동공구를 작동하지 못하게 하세요. 전동공구는 숙달되지 않은 사용자에게 공구는 위험합니다.
- 전동공구를 잘 관리하세요. 부품 파손, 구동 부위의 고장 상태, 구동 부위의 정열 상태 등을 확인하고 기타 공구의 작동에 영향을 줄 수 있는 다른 상태에 대해서도 점검하세요. 고장이 발견되면 사용하기 전에 수리를 받으세요. 많은 사고가 제대로 관리되지 않은 공구 때문에 발생합니다.
- 절단 도구는 날카롭고 청결하게 유지하세요. 날카로운 절단면을 가진 잘 정비된 절단 도구는 움직임이 무뎠다지 않고 제어하기도 쉽습니다.
- 전동공구와 액세서리, 틀비트 등을 관련 작업 조건과 작업을 고려해서 이 설명서에 따라 사용하고 해당 전동공구에 맞게 사용하세요. 의도된 작업과는 다른 공구를 사용하면 위험한 상황이 생길 수도 있습니다.
- 숨은 전선이나 공구 전선이 패스너와 닿을 가능성이 있는 작업을 할 경우, 절연 손잡이로 전동 공구를 잡도록 하세요. 전기가 흐르는 전선과 공구의 패스너가 접촉할 경우, 공구의 금속 부분에 전도되어 작업자에게 전기 충격이 가해질 수 있습니다.

충전용 공구 사용과 관리

- 제조사에서 명시한 충전기만 사용하여 충전을 하세요. 한 전지팩 제품에 안전한 충전기가 다른 전지팩과 사용했을 때는 화재의 위험이 될 수가 있습니다.
- 전동공구 전용의 전지팩만 사용하세요. 다른 제품을 사용할 경우, 부상과 화재의 위험이 있습니다.
- 전지팩을 사용하지 않을 때는 종이클립, 동전, 열쇠, 못, 나사, 기타 작은 금속 물건 등의 금속 제품들과 거리를 두세요. 전지 단자끼리 합선될 경우, 화상 또는 화재가 발생할 수 있습니다.
- 남용할 경우, 전지의 액체가 흘러 나올 수도 있습니다. 액체와의 접촉을 피하세요. 만약 사고로 접촉이 실제 발생하면 물로 헹구어 내세요. 전지액이 눈과 접촉하면 치료를 받아야 합니다. 이 액체는 염증과 화상을 유발할 수 있습니다.

서비스

- 동일한 교체부품만을 사용하여 전문 기술자에게서만 서비스를 받으세요. 이렇게 해야만 전동 공구의 안전이 확보될 수 있습니다.

기계 관련 안전 사항

드릴 안전 경고

- 해머 드릴을 사용할 때는 귀마개를 착용하세요. 소음이 강해 청각이 손상될 수 있습니다.

기계관련 안전 사항

작업시 에너지 배선이나 배관 등이 숨어 있는지 확인하려면 적당한 탐지기를 사용하거나 지역 에너지 당국에 문의하세요. 전선과 닿으면 화재나 전기 충격이 발생할 수 있습니다. 가스관이 손상되면 폭발로 이어질 수 있습니다. 수도관이 파열되면 재산 피해와 전기 충격이 발생할 수 있습니다.

틀 홀더가 걸리면 즉시 전동 공구의 전원을 끄세요. 갑자기 강한 반동이 생길 수 있으니 유의하세요. 틀 홀더가 걸릴 수 있는 경우는 다음과 같습니다;

- 과부하된 상태이거나 작업물에 끼었을 때.

전동공구는 두손으로 꼭 잡고 안전한 자세로 작업해야 합니다.

양 손을 사용해야 더 안전하게 사용할 수 있습니다.

작업물을 잘 고정하세요. 클램핑 장치나 바이스에 작업물을 고정시키는 것이 손으로 고정하는 것보다 안정적입니다.

작업장을 깨끗하게 유지하세요. 소재가 혼합되면 특히 위험할 수 있습니다. 경금속 분진은 화재나 폭발을 발생시킬 수 있습니다.

사용하던 공구는 동작이 완전하게 멈춘 후에 내려 놓아야 합니다. 그렇지 않을 경우, 틀 홀더가 걸릴 수 있고 전동공구에 대한 통제가 어려워질 수 있습니다.

전동 공구를 정비 (관리, 틀 교환 등)하거나 운반, 보관하기 전에 회전방향 스위치를 중간 위치에 두세요. On/Off 전원 스위치를 의도하지 않은 실수로 누르면 부상이 발생할 수 있습니다.

강한 광선 등으로 인한 과열, 불, 물, 또는 습기로부터 제품을 보호하세요. 폭발의 위험이 있습니다.

전지가 파손되거나 잘못 사용될 경우, 증기가 발산될 수 있습니다. 환기를 한 후 신체적인 이상이 발견되면 치료를 받도록 하세요. 발산된 증기가 호흡기를 자극할 수 있습니다.

충전기 안전 경고



실내 사용 전용.



이중 절연.

충전기를 비나 습기로부터 보호하세요. 충전기에 물이 들어가면 전기 충격의 위험이 커집니다.

다른 전지를 전용 충전기에 충전하지 마세요. 해당 제품은 전동 공구와 함께 제공된 전지 전용 충전기입니다. 화재나 폭발의 위험이 있을 수 있으니 유의하세요.

전지 충전기를 청결하게 유지하세요. 깨끗하지 않은 상태에서는 전기 충격의 위험이 생길 수 있습니다.

사용하기 전에는 항상 전지 충전기, 전선, 플러그를 확인하세요. 고장이 발견되면 충전기 사용을 즉시 중단하세요. 충전기를 임의로 개봉하지 마세요. 해당 제품은 전문 기술자만이 수리할 수 있습니다. 전지 충전기, 전선, 플러그가 파손되면 전기 충격의 위험이 증가합니다.

전지 충전기를 불이 붙는 표면 (종이, 텍스타일 등) 위나 그 주변에서 사용하지 마세요. 전지 충전기의 발열은 화재 위험이 있으니 주의하세요.

아이들이 충전기를 갖고 놀지 못하도록 감독하세요.

진동

진동 수준

설명서에 명시된 진동 배출 수준은 EN 60745 에 의한 표준화 테스트에 따라 측정되었습니다. 공구끼리 비교를 할 때나 본 설명서에 명시된 사용법에 따라 제품을 사용했을 때 진동의 노출 수준을 알 수 있는 기준으로 사용하세요. 단, 다른 용도로 제품을 사용하거나 적절하지 못한 액세서리와 함께 사용할 경우, 노출 수준이 더 증가할 수도 있습니다.

진동 노출 정도를 측정할 때 또한 감안해야 할 것은 전동공구를 꺼놓았을 때나 켜져 있는지만 실제로 사용하고 있지 않은 상태에서는 작업

시간 전체로 보았을 때 노출 정도가 상당히 줄어들 수 있다는 것입니다.

도구와 액세서리의 유지와 관리를 통해 진동의 영향으로부터 작업자를 보호하고 손은 따뜻하게 하며 작업 패턴을 정리하는 것도 도움이 됩니다.

조립

전동 공구를 정비 (관리, 툴 교체 등)하거나 이동 또는 수납을 하기 전에는 회전 방향 스위치가 중간 위치에 있도록 항상 돌려주세요. 트리거를 실수로 누르면 부상이 발생할 수 있습니다.

전지 충전하기

드라이버/드릴 충전하기

충전기가 전기 콘센트에 연결되어 있을 때는 공구의 빨간색 다이오드불이 들어옵니다 (13).

정상적인 사용의 경우, 수백회의 충전이 가능합니다.

주의! 충전 과정에서 전지가 가열되는 것이 일반적입니다.

주의: 해머 드릴과 함께 제공되는 전지는 시작동을 위해 충전되어 있으니 실제로 사용하기 전에는 완전히 충전하여 사용하세요.

안전 사항을 먼저 읽고 충전 방법에 따라 충전하세요. 충전 연결부 (15)를 해머 드릴의 소켓 (13)에 끼우고 충전기의 트랜스포머를 전기 콘센트에 꽂으면 됩니다.

전선이 심하게 꺾이거나 묶여 있지 않은지 확인하세요.

충전기의 트랜스포머와 전지는 같이 사용할 목적으로 설계되었습니다.

충전기를 다른 무선 공구를 충전하는 데 사용하면 절대로 안됩니다. 전지는 사용과 관계없이 시간이 지나면 방전됩니다.

리튬이온 전지는 "전자셀보호 (ECP)" 기능이 있어 과도하게 방전되지 않습니다. 전지가 방전되면 안전 스위치가 작동해서 공구의 전원이 꺼지게 됩니다. 삽입된 툴은 더 이상 회전하지 않습니다.



경고 공구의 전원이 자동으로 꺼진 후에 On/Off 전원 스위치를 계속 누르고 있지 마세요. 전지가 손상될 수 있습니다.



경고! 전지는 타지 않는 표면 위에서만 충전하세요. 8시간 이상 전지를 충전해서는 안됩니다. 완전히 충전되면 빨간색 다이오드가 초록색으로 바뀝니다.

연결된 전선은 뽑아두고, 사용하지 않는 트랜스포머는 적당한 곳에 보관하세요.

영하의 기온에서 전지를 충전하는 것은 권장하지 않습니다.

공구에서 전지를 빼려면 트리거 스위치 (5)를 눌러 전지가 완전히 방전시키세요. 케이스의 나사를 풀고 뚜껑을 연 후, 전지와 연결된 전선을 빼고 전지를 꺼내면 됩니다 (그림 A 참고).

사용 방법

툴 교환하기

SDS plus 툴 홀더를 이용하여 드릴 툴을 손쉽게 간편하게 추가 공구없이 교환할 수 있습니다. SDS plus 툴은 작동 원리상, 자유롭게 움직일 수 있도록 만들어졌습니다. 이 때문에 공전 상태에서 편심 현상이 생길 수도 있습니다. 하지만 드릴작업시 저질로 중심을 잡기 때문에 드릴 구멍의 정확도에는 영향이 없습니다. SDS 툴 홀더는 6각형 생크를 가진 어떠한 드릴비트도 끼워 사용할 수 있습니다. 분진 보호마개(2)는 공구 작동시 툴 홀더안에 작업시 발생하는 분진이 들어가지 않도록 막아주는 역할을 합니다. 툴을 삽입할 때, 분진 보호마개 (2)가 손상되지 않도록 주의하세요.

SDS plus 드릴 툴 삽입하기 (그림 A 참고)

툴의 생크 끝부분을 깨끗이 닦고 기름을 칠하세요.

비트가 저절로 잠길 때까지 돌리면서 툴 홀더에 삽입합니다.

툴을 잡아당겨서 고정되었는지 확인하세요.

SDS plus 드릴툴 제거하기 (그림 A 참고)



경고! 사용 후에는 액세서리가 과열될 수가 있습니다. 피부와의 접촉을 피하고 보호장갑 또는 천을 이용하여 제거하세요.
잠금 슬리브(3)를 뒤로 당겨서 툴을 제거합니다.
액세서리를 전부 깨끗이 닦아주세요.

분진/나무칩 흡입

납 성분의 코팅, 특정 목재, 광물, 금속 등에서 발생하는 분진은 신체에 해로울 수가 있습니다. 분진을 만지거나 흡입할 경우, 작업자나 주변 사람들에게서 알레르기 반응 또는 호흡기 질환 등이 발생할 수 있습니다.

참나무나 가문비나무와 같은 특정 나무의 분진은, 특히나 특수 처리 (크롬산 염, 목재 방부제 등) 되었을 경우, 발암 성분이 포함된 것으로 알려져 있습니다. 석면이 포함된 작업물은 전문가만이 작업할 수 있습니다.

- 작업장을 잘 환기해주세요.
- P2 필터 등급의 마스크를 사용할 것을 권장합니다.

작업할 작업물과 관련하여 해당 국가의 관련 규범을 준수하세요.

작동

작동 모드 설정하기

해머 드릴/드릴 (4) 선택 스위치를 조작해서 공구의 작동 모드를 선택할 수 있습니다.
주의: 공구 전원을 끈 채로만 작동 모드를 변경하세요! 그렇지 않을 경우, 제품이 파손될 수 있습니다.

작동 모드를 변경하려면 원하는 위치로 "해머 드릴/드릴" (4) 선택 스위치를 바꾸세요.



콘크리트나 석재에 드릴작업을 할 때는 해머드릴 모드에 두세요.



목재, 금속, 세라믹, 플라스틱 드릴작업 및 드라이버 작업에는 드릴 모드에 두세요.

회전 방향 변경하기

회전 방향 스위치 (5)는 공구가 완전히 멈추었을 때에만 누르세요.
회전 방향 스위치 (5)는 공구의 회전 방향을 바꿀 때 사용됩니다. 하지만, On/Off 전원 스위치가 눌린 상태에서는 변경할 수 없습니다.

오른쪽 회전: 드릴 작업 및 드라이버 작업시, 회전 방향 스위치 (5)를 왼쪽으로 밀어주세요.

왼쪽 회전: 나사나 너트를 풀거나 뺄 때는 회전 방향 스위치(5)를 오른쪽으로 밀어줍니다.

On/Off 전원 스위치 조작하기

공구를 작동하려면 On/Off 전원 스위치 (6)를 누르고 그 상태를 유지합니다.

공구를 끄려면, 누른 On/Off 전원 스위치 (6)를 풀어줍니다.

기온이 낮을 경우, 전동공구가 완전한 해머/타격 성능을 보일 때까지 어느 정도 시간이 걸릴 수 있습니다.

주의: 제품 사용시, 환기구 안쪽으로 모터의 스파크가 보일 수 있습니다. 이 현상은 모터가 작동할 때 모터안의 부품이 마찰하여 발생하는

정상적인 반응으로, 전동 공구의 기능에는 전혀 영향을 주지 않습니다. 하지만 스파크가 튀어 화재가 발생할 수 있으니, 인화성 물질이나 가스 근처 또는 먼지가 많은 곳에서는 절대 사용하지 마세요.

속도/타격을 설정하기

On/Off 전원 스위치 (6)를 누르는 정도에 따라 전원이 켜진 공구의 속도/타격률은 무단으로 조절할 수 있습니다.

On/Off 전원 스위치 (6)를 가볍게 누르면 낮은 속도/타격률로 작동하며 스위치를 세게 누르면 속도/타격률이 증가합니다.

온도 센서 과부하 보호장치

의도한 대로 사용했을 때는 과부하가 발생하지 않습니다. 그러나 부하가 너무 크거나 전지 온도가 허용된 70 °C를 초과할 경우 적절한 온도로 돌아올 때까지 공구 전원이 꺼집니다.

작동 팁

전동공구 전원이 꺼진 상태에서만 나사/너트 끼우기를 시작하세요. 회전하고 있을 경우에는 빠질 수가 있습니다.

관리와 청소

공구를 정비 (관리, 틀 교환 등)하거나 운반, 수납 등 이전에는 반드시 회전 방향을 중앙으로 맞춰놓으세요. 트리거를 의도하지 않은 실수로 누르면 부상이 발생할 수 있습니다.

안전하고 적절한 작업을 위해서는 공구와 통풍구를 깨끗하게 유지해야만 합니다.

환경친화적인 폐기 방법

환경 보호

(일반 가정용) 전기와 전자 제품의 폐기 (Waste Electrical and Electronic Equipment WEEE) 관련 친환경적인 폐기 방법에 대한 정보.



제품과 같이 제공되는 문서에 이 기호가 있다면 이는 사용했거나 수명이 거의 다한 전기 전자 제품은 일반 쓰레기와 함께 버려서는 안된다는 표시입니다. 올바른 폐기, 처리, 회수, 재활용을 위해서는 지정된 수거점으로 제품을 갖고 가서 무료로 버릴 수 있습니다. 어떤 나라에서는 새 제품을 구매하는 조건으로 사용한 제품을 해당 업소에 폐기할 수 있도록 해주기도 합니다. 제품을 올바르게 폐기해야 귀중한 자원을 절약하고 부적절한 쓰레기 폐기와 처리로 인해 발생할 수 있는 잠재적으로 부정적인 영향을 막아 사람들의 건강과 환경을 보호할 수 있습니다. 가까운 지정 수거점에 대한 정보는 관할기관에 문의를 하세요. 이 제품을 잘못 폐기하면 해당 국가의 법에 따라 처벌을 받을 수도 있습니다.

파손 및 사용한 전지의 폐기

다 사용한 전지는 일반 가정용 쓰레기장, 소각장, 하수에 폐기해서는 안됩니다. 전지 규범에 따라 파손되었거나 다 쓴 전지는 업소나 전지 수거점으로 회수해야 합니다. 이를 따르지 않았을 경우, 과태료가 부과되거나 기타 벌금에 처할 수 있습니다.

EU 외 국가의 업무용 사용자를 위한 폐기 정보



이 그림은 EU에만 해당됩니다. 해당 국가의 관할 기관 또는 대리점에 이 제품의 올바른 폐기 방법에 관해 문의하세요.

FIXA/フィクサ ハンマードリル リチウムイオン バッテリー 14.4V

仕様

電圧：14.4V

回転数：0-900/分

打撃数：0-4800/分

1回あたりの打撃力：1.0J

ツールホルダー：SDSプラス

穴開け能力（最大径）：

- コンクリート（ツイストドリル使用時）

10mm (3/8")

- スチール 8mm (5/16")

- 木材 10mm (3/8")

バッテリー：リチウムイオンバッテリー

容量：1.5Ah

バッテリーセル数：4

充電時間：5-7時間

ACアダプター 入力電圧：購入した国の電圧

セパレートチャック：最大把握径10mm (3/8")

・キーレス、クイックフィット、

クイックリリースチャック

重量：1.3kg(2.86lbs)

振動値：（欧州規格 EN 60745-1、

EN 60745-2-6に準拠）：

$<a_{nh}, D = 5.9m/s^2, K = 1.5m/s^2$

$a_{nv} = 4.7m/s^2, K = 1.5m/s^2$

騒音値（欧州規格 EN 60745-1に準拠）

騒音ブレッシャーレベル (Lpa) = 86dB(A),

Kpa = 3dB (A),

騒音パワーレベル (Lwa) = 97dB(A),

Kwa = 3dB(A)

各部の名称

下記の番号は、図解ページに記載の製品イラスト
に振られた番号に対応しています。

1. SDSプラスツールホルダー
2. 防じんキャップ
3. スリーブ
4. 作業切替スイッチ
5. 正逆転切替スイッチ
6. 電源スイッチ

7. Ø3mm (1/8") 木工用ビット 付属の交換用
チャック（振動なしドリル用）に取り付けて
使用します
8. Ø5mm (3/16") 木工用ビット 付属の交換用
チャック（振動なしドリル用）に取り付けて
使用します
9. Ø5mm (3/16") SDSビット（振動ドリル
用）
10. Ø6mm (1/4") SDSビット（振動ドリル用）
11. Ø8mm (5/16") SDSビット（振動ドリル
用）
12. ハンドル（絶縁グリップ）
13. 充電プラグ用ソケット・LEDインジケーター
14. 交換用チャック
15. 充電プラグ
16. 充電用ACアダプター

用途

このハンマードリルはコンクリートやレンガ、石
への穴開け用です。付属の交換用チャックに交換
すれば、木材や金属、陶器、プラスチックへの穴
開け作業（振動なし）にも使用できます。電子制
御システム・正逆転切替スイッチ付きで、ネジの
取り付け・取り外し作業にも適しています。

バッテリーを充電して使用し始める前に、必ず取
扱説明書をよく読んですべての機能を完全に理解
するか、本製品の適切な使用方法を理解している
人から使い方の説明を受けてください。

製品仕様および安全上のご注意

電動工具の使用に関する安全上のご注意



警告！



**安全上の注意事項および取扱説明をよく
お読みになり、正しくご使用ください。**安全上の
注意事項および取扱説明に従わないと、感電や火
災、重大なケガにつながる危険があります。

安全上の注意事項および取扱説明は、いつでも参照できるように大切に保管してください。

下記の注意事項内の「電動工具」および「工具」とは、コンセントタイプ（コード式）およびバッテリータイプ（コードレス式）の両方を指します。

作業環境に関する安全上の注意事項

a. 作業場は整理整頓し、明るくしてください。作業場が暗かったり、散らかっていると事故の原因になります。

b. 可燃性の液体やガス、粉じんのあるところで電動工具を使用したり、充電したりしないでください。電動工具から発生する火花が液体やガス、粉じんに引火し、爆発するおそれがあります。

c. 電動工具の使用中は、そばに子供や作業者以外の人を近づけないでください。気が散ると、事故やケガを引き起こしやすくなります。

電気に関する安全上の注意事項

a. 電動工具のプラグは、コンセントに適合している必要があります。プラグは絶対に改造しないでください。アース（接地）して使用する電動工具の電源コードのプラグにさらにアダプタープラグを使用しないでください。感電の危険を減らすため、プラグとコンセントが適合しているか確認し、プラグは絶対に改造しないでください。

b. 感電事故を防ぐため、電動工具の使用中は、身体をアース（接地）されているものに接触させないようにしてください（例えばパイプ、暖房器具、電子レンジ、冷蔵庫などの外枠）。

c. 雨のあたる場所や湿気の高い場所では使用しないでください。電動工具の内部に水が入ると、感電の危険があります。

d. 電源コードを乱暴に扱わないでください。コードを持って電動工具を運んだり、コードを引っ張ってコンセントから抜かないでください。コードを熱源や油、刃物、工具の可動部などに近づけ

ないでください。コードが損傷したり、からまると、感電の危険があります。

e. 電動工具を屋外で使用する場合は、屋外用延長コードをお使いください。感電の危険を減らせます。

f. どうしても温度の高い場所で電動工具を使って作業しなければならない場合は、漏電遮断機（RCD）をご使用ください。漏電遮断機を使用することで感電の危険性を減らせます。

事故防止のための注意事項

a. 電動工具を使用する際は、取扱方法や作業手順、周りの状況などに十分注意して慎重に作業してください。疲れている場合や、薬を服用している場合、お酒を飲んだ場合には、電動工具を使用しないでください。集中力が欠けると、重大なケガにつながるおそれがあります。

b. ケガを防ぐため、作業時には安全保護具と保護メガネを着用してください。状況に応じて、防塵マスクや滑り止め付き安全靴、ヘルメット、防音保護具を着用してください。

c. 不意な始動を避けるため、プラグを電源に差し込む際やバッテリーパックを装着する際、電動工具をつかんだり持ち運ぶ際は、あらかじめ電動工具のスイッチが切れていることを確認してください。スイッチに指を掛けて運んだり、スイッチが入った状態でプラグを電源に差し込まないでください。事故につながるおそれがあります。

d. スイッチを入れる前に、調節キーやレンチはすべて取り外してください。電動工具の回転部分にキーやレンチをつけたままにすると、ケガをするおそれがあります。

e. 無理な姿勢で作業をしないでください。常に足元をしっかりとさせ、バランスを保つようにしてください。予期しない状況でも電動工具を制御しやすくなります。

f. 作業はきちんとした服装で行ってください。だぶだぶの衣服やアクセサリは、工具の回転部に巻き込まれるおそれがあるので、着用しないでください。衣服や手袋、髪の毛などが工具の回転部に巻き込まれないよう注意してください。

g. 工具を集じん機に接続する場合は、工具と集じん機が正しく接続されているか、また集じん機が正しく作動しているか確認してください。集じん機を使用することで、粉じんや削りくずの飛散を防ぐことができ、より安全に作業できます。

電動工具の使用に関する注意事項

a. 電動工具の無理な使い方はしないでください。用途に適した電動工具を使用してください。用途に合った工具を適切に使用することで、効率よく安全に作業ができます。

b. スイッチのオン/オフができない場合は使用しないでください。スイッチが故障したまま使うと大変危険です。必ず修理をしてください。

c. 不意な始動を防ぐため、電動工具の調整や保管、アクセサリの交換の際には、必ず電源からプラグを抜き、バッテリーパックを取り外してください。

d. 電動工具を使用しないときは、お子さまの手の届かない場所に保管してください。電動工具の扱いに慣れていない人や、この取扱説明書の注意事項を理解していない人には操作させないでください。初心者がひとりで操作すると危険です。

e. 電動工具は定期的にお手入れや点検を行ってください。可動部分のかみ合わせや締め付け具合、部品の破損など、作動に影響を及ぼすすべての箇所に異常がないか確認してください。破損箇所や故障箇所のある場合は、修理してから使用してください。お手入れや点検を怠ると、事故につながるおそれがあります。

f. 刃のついたパーツは常に手入れをして、よく切れる状態を保ってください。刃の切れ味がよいと、材料にひっかかりにくくなり、作業がしやすくなります。

g. 電動工具やアクセサリ、ツールビットは使用上の注意に従って正しくお使いください。アクセサリやツールビットは各電動工具に対応したものをお使いください。電動工具を使用する際は、あらかじめ作業環境を整え、慎重に作業を行ってください。電動工具を本来の用途以外に使用すると、重大なケガにつながる危険があります。

h. 電動工具の先端工具が、隠れた配線や電源コードに接触する場合に備えて、作業をするときは絶縁材で覆われたハンドル部をお持ちください。先端工具が通電中の配線に触れると、本体の金属部にも電流が流れ、感電する危険があります。

バッテリーパックの使用に関する注意事項

a. バッテリーパックを充電する際は、必ずメーカー指定の充電器を使用してください。指定充電器以外の充電器を使用すると、火災につながるおそれがあります。

b. 電動工具には指定の専用バッテリーパック以外は使用しないでください。指定外のバッテリーパックを使用するとケガや火災の原因となります。

b. バッテリーパックを保管する際は、クリップやコイン、鍵、釘、ネジなどの金属と接触させないようにしてください。金属でバッテリーパックのプラス極とマイナス極が接続されると、バッテリーパックがショートしてヤケドや火災につながるおそれがあります。

d. バッテリーパックを誤って使用すると、液漏れするおそれがあります。漏れた液には直接触れないでください。万が一皮膚についた場合は、すぐに水で洗い流してください。目に入った場合は、すぐに水で洗ってから、医師の診察を受けてください。炎症やヤケドを引き起こすおそれがあります。

サービス

a. 修理は必ず専門店で依頼し、交換部品は純正品のみをご使用ください。

本製品を安全にお使いいただくために、必ずこの注意事項を守ってください。

製品仕様および安全上のご注意

ドリルの使用に関する安全上のご注意

ハンマードリルをご使用の際は、必ず耳栓などの防音保護具を着用してください。騒音により難聴になるおそれがあります。

専用の検知器を使って、作業する箇所に電気配線やガス管、水道管などがないか確認してください。この作業に関してご不明な点がある場合は、お近くの専門業者にお問い合わせください。電気配線に接触すると、火災や感電につながるおそれがあります。ガス管を破損すると、爆発を引き起こすおそれがあります。水道管を破損すると、家財の水濡れや感電につながるおそれがあります。

工具先端のビットが動かなくなってしまうときは、直ちに電源を切ってください。行き場を失った大きな力が反対向きに作用してキックバック（電動工具本体が回転する現象）を引き起こす危険があります。ビットが動かなくなってしまうのは以下のときです：

- 工具に負荷がかり過ぎたとき、あるいはビットが材料に引っかかって挟まってしまったとき。

作業の際は、必ず両手で工具をしっかりと持ち、常に安定した姿勢を保ってください。両手でしっかりと持つことで、より安全に作業できます。

材料はしっかりと固定してください。クランプや万力を使うと、手で押さえるよりも、安全にしっかりと固定できます。

作業場は常に整理整頓してください。さまざまな原材料が散らかった作業場では、原材料が混ざって思わぬ事故につながる危険があります。軽合金から発生する粉じんが可燃性のガスなどに引火すると、爆発の危険もあります。

必ず工具が完全に停止したことを確認してから、工具を材料から外して降ろしてください。工具が動いているうちに外そうとすると、ビットが材料に挟まり、工具を制御できなくなる危険があります。

掃除、点検、調節、部品交換など、本体に関して何らかの作業を行う際や、工具を移動・保管する際は、正逆転切替スイッチを真ん中で止めて電源スイッチをロックしてください。誤って電源スイッチを押し、工具が不意に始動するとケガの危険があります。

直射日光が長時間当たる場所や火のそばなど、高温になる場所や水気のある場所、湿度の高い場所では使用・保管しないでください。バッテリーが膨張して破裂する危険があります。

バッテリーの破損やバッテリーの誤った使用は、有毒ガスを発生するおそれがあります。作業中に具合が悪くなった場合は、新鮮な空気にあたり、医師の診察を受けてください。有毒ガスにより呼吸器が損傷するおそれがあります。

バッテリー充電用ACアダプターの使用に関する安全上のご注意



室内専用。



二重絶縁構造。

雨のあたる場所や湿気の高い場所では使用・保管しないでください。ACアダプターの内部に水が入ると、感電の危険性が高まります。

このACアダプターで他のバッテリーを充電しないでください。このACアダプターは、本電動工具に内蔵のバッテリーへの充電にのみ使用できます。指定された用途以外に使用すると、火災や破裂の危険があります。

ACアダプターはいつもきれいな状態でご使用ください。ゴミやホコリが付着すると、感電の危険があります。

毎回ご使用前にACアダプター本体やコード、プラグに異常がないか点検してください。損傷や不具合が見つかった場合には、直ちに使用を中止してください。ACアダプターは絶対に自分で分解しないでください。修理は必ず専門店で依頼してください。アダプター本体やコード、プラグが破損したまま使用すると、感電の危険性が高まります。

充電は紙や布など、燃えやすいものの上で行わないでください。また、まわりに燃えやすいものがない安全な場所で行ってください。充電中にACアダプターが高温になってこれらのものに引火し、火災につながる危険があります。

子供がACアダプターで遊ばないように注意してください。

振動に関する情報

振動値

本説明書に記載の振動値は、欧州規格EN 60745に基づく振動試験によって測定されたものです。この数値は、工具の相互比較や、作業者が作業時（本説明書に記載の用途に使用した場合）に負うと予測される振動ばく露のリスク評価に使用できます。ただし、工具を指定された用途以外に使用したり、指定以外のアクセサリーやメンテナンスの不十分なアクセサリーをつけて使用すると、振動値が大幅に増加するおそれがあります。

振動ばく露量を計算する際は、スイッチを切った状態の時間や、スイッチを入れていても実際に作業に使用していないときの時間を差し引く必要があります。これにより、総作業時間中の振動ばく露量が大幅に減少する可能性があります。

振動の影響から身体を守るため、こまめに工具やアクセサリーのメンテナンスを行ってください。また、あらかじめ作業手順を整理し、作業用手袋などで手を温かく保護してください。

工具の取り扱い

掃除、点検、調節、部品交換など、本体に関して何らかの作業を行う際や、工具を移動・保管する際は、正逆転切替スイッチを真ん中で止めてトリガーをロックしてください。誤ってトリガーを押し、工具が不意に始動するとケガの危険があります。

バッテリーの充電

ハンマードリルの充電方法

ACアダプターがコンセントに接続されている間は、本体のLEDインジケーターが赤く点灯します。LEDインジケーター（13）は、充電が完了すると消えます。

本製品は、通常に使用した場合、数百回の充電が可能です。

注意！ 充電中のバッテリーは熱くなりますのでご注意ください。

注意！ 付属のバッテリーは、お買い上げ時にはテスト用の電力しか充電されていません。ご使用になる前に必ず容量一杯まで充電してください。

最初に安全上のご注意をお読みになり、説明に従って正しく充電を行ってください。まず、ACアダプターの充電プラグ(15)をハンマードリル本体の充電プラグ用ソケット(13)に差し込んでから、電源プラグをコンセントに差し込んでください。

コードに結び目や折目ができないように注意してください。

付属のACアダプターは、本製品のバッテリー専用です。

付属のACアダプターでは絶対に他のメーカーの充電式機器やバッテリーの充電を行わないでください。バッテリーは使用しなくても徐々に容量が減少します。

本製品のリチウムイオンバッテリーには、バッテリーの過負荷を防ぐ「電子セル保護システム（ECP機能）」が付いています。バッテリーが空になると、保護回路が作動して電源が自動的に切れ、ビットの回転が止まります。



警告！ 電源が自動的に切れたあとに電源スイッチ（トリガー）を押し続けしないでください。バッテリーが損傷するおそれがあります。



警告！ 充電は、まわりに燃えやすいものがない安全な場所で行ってください。バッテリーを充電したまま8時間以上放置しないでください。充電が完了すると、LEDインジケーターが赤から緑になります。

ACアダプターを使用しないときは、ACアダプターの充電プラグと電源プラグを抜き、適切な場所に保管してください。

氷点下での充電は避けてください。

バッテリーを本体から取り外す際は、バッテリーが完全に放電するまでトリガー(5)を引き続けてください。保護カバーのネジをすべて外し、保護カバーを取り外します。バッテリーと本体の接続コードを切断し、バッテリーを本体から取り外します（図A参照）。

使用方法

ビットの交換

SDSプラスツールホルダーなら、道具を使わず簡単にドリルビットの交換ができます。SDSプラスドリルビットは構造上、取り付け後も自由に動くようになっています。そのため、無負荷時には振れが生じますが、実際の穴開け作業時には中心が定まるため、穴開け精度に影響はありません。SDSプラスツールホルダーは六角軸ドリルビットにも対応しています。防じんキャップ(2)がツールホルダーへの粉じんの侵入を効果的に防ぎます。ビットを取り付ける際は、防じんキャップ(2)に傷や破損がないか確認してください。

SDSプラスドリルビットの取り付け（図A参照）

取り付け前にビットの差し込み口をきれいに拭き、潤滑油を薄く塗ってください。

ビットをツールホルダーに差し込んで、ビットの突起がホルダーの溝と噛み合うまで軽く回します。

ビットを引っ張って、確実に取り付けられたか確認します。

SDSプラスドリルビットの取り外し（図A参照）



警告！ 作業直後、アクセサリは高温になります。素手で触れるのは避け、保護手袋または布を使用してアクセサリを取り外してください。

スリーブ(3)を後方に引きながらビットを抜き取ります。取り外したアクセサリは必ずきれいに拭いてください。

粉じんや削りくずの対処

鉛含有塗料や特定の木材、鋳物、金属などから発生する粉じんは、健康を害するおそれがあります。作業者やまわりの人がこれらの粉じんに触れたり、吸い込んだりすると、アレルギー反応を起こしたり、呼吸器疾患を発症するおそれがあります。

オーク材やビーチ材などから出る特定の粉じんは、特に木材用の表面処理剤（クロム酸塩、木材用防腐剤）と組み合わせた場合、発がん性を有するとされています。アスベストを含む素材の取り扱いに関しては、必ず専門業者に依頼してください。

- 作業場の換気を十分に行ってください。
- P2フィルタークラスのフィルターが付いた防じんマスクの使用をおすすめします。

各素材の処理方法については、お住まいの国の関連規則・法令に従ってください。

本製品を使用する前に

作業モードの設定

作業切替スイッチ(4)で作業モード（ハンマードリル/ドリル）を選べます。

注意：作業モードの変更は、必ず電源を切って行ってください！ 電源が入ったままで作業モードを変更すると、工具が破損するおそれがあります。

作業モードを変更するには、作業切替スイッチ(4)を回して、ハンマードリルかドリルのどちらかのポジションを選びます。



コンクリートや石への穴開け作業には、スイッチをハンマードリルの位置にセットしてください。



木材、金属、陶器、プラスチックへの穴開け作業やネジの取り付け・取り外し作業には、スイッチをドリル（振動なし）の位置にセットしてください。

回転方向の切り替え

正逆転切替スイッチ(5)の操作は、必ず工具が完全に停止してから行ってください。

正逆転切替スイッチ(5)でビットの回転方向を変えられます。電源スイッチ(6)を引いた状態で正逆転切替スイッチを操作することはできません。

正転：穴開け作業やネジ締め作業を行う際は、正逆転切替スイッチ(5)を左奥まで押してください。

逆転：ネジやナットの緩め作業や取り外し作業を行う際は、正逆転切替スイッチ(5)を右奥まで押してください。

電源スイッチの操作方法

電源スイッチ(6)を指で引くと工具が稼働します。作業は電源スイッチを引いたままの状態で行います。

電源を切るには、電源スイッチ(6)を引いている指を放します。

低温下で使用する場合、最大能力に達するまでである程度の時間がかかります。

注意：使用中にモーター部分から火花が発生することがあります。これはモーター部品の摩擦によって起きる普通の現象です。電動工具の機能には問題ありません。ただし、安全のため、可燃性の液体やガス、粉じんのあるところでは電動工具を使用しないでください。電動工具から発生する火花が液体やガス、粉じんに引火し、爆発するおそれがあります。

回転数/打撃数の調節

電源スイッチ(6)の引き加減で回転数/打撃数を無段階に調節できます。

電源スイッチ(6)を軽く引くと回転数/打撃数が減り、強く引くと増えます。

温度感知式過負荷保護機能

指定の用途に使用した場合、本製品は過負荷がかからない仕組みになっています。電動工具に過度な負荷がかかった場合や、バッテリーの温度が許容温度である70度を超えた場合は、電子制御システムが作動して電源が自動的に切れ、バッテリーの温度が最適温度範囲内に下がるまでスイッチが入らなくなります。

作業に当たってのアドバイス

ネジやナットにビットを差し込む際は、必ず電源を切ってください。ビットが回転したままの状態だとスリップするおそれがあります。

メンテナンス・お手入れ方法

掃除、点検、調節、部品交換など、本体に関して何らかの作業を行う際や、工具を移動・保管する際は、正逆転切替スイッチを真ん中で止めてトリガーをロックしてください。誤ってトリガーを押し、工具が不意に始動するとケガの危険があります。

正しく安全に作業を行うため、本体と通風口はいつもきれいにしてください。

環境に配慮した廃棄方法について

環境を守るために

電気・電子機器の廃棄に関するEUのWEEE指令
(個人向け)



製品本体や取扱説明書にこのシンボルマークが表示された電気・電子機器は、廃棄する際に一般の家庭ゴミと区別する必要があります。正しい廃棄、処理、再利用、リサイクルのため、指定された回収場所までお持ちください。国によっては、新しい同等品を購入する際に、古い製品を業者が引き取ってくれる場合があります。適切に廃棄・処理することは、貴重な資源の節約になるうえ、不適切な廃棄や処理による人体や環境への悪影響を未然に防止することにもつながります。お近くの電気・電子機器廃棄物の回収場所については、お住まいの自治体にお問い合わせください。これらの製品の違法廃棄により処罰されることがあります。

破損・使用済バッテリーの廃棄方法

使用済みのバッテリーは、一般の家庭ゴミとして廃棄したり、火や水の中に投棄したりしないでください。破損したバッテリーや使用済みのバッテリーは、法規に従って、お近くの専用回収場所もしくはバッテリーの販売店に持ち込む必要があります。違法廃棄を行うと処罰されることがあります。

EU以外の地域における廃棄に関する情報（ビジネスユーザーのみなさま）



このシンボルマークはEU域内でのみ適用されます。

本製品を廃棄する際は、所在地の自治体もしくは製品を購入した代理店まで正しい廃棄方法についてお問い合わせください。

FIXA bor hantam li-ion 14.4V

SPEKIFIKASI TEKNIS

Voltage: 14,4 V
 Kecepatan terukur: 0-900 rpm
 Tingkat hantam: 0-4800 bpm
 Tingkat hantam per stroke: 1,0 J
 Pemegang alat: SDS ditambah
 Diameter max pengeboran:
 -beton (dengan bor putar) 10 mm (3/8 ")
 -baja 8 mm (5/16 ")
 kayu 10 mm (3/8 ")
 Baterai: Lithium-ion
 Kapasitas: 1,5 Ah
 Jumlah sel baterai: 4
 Waktu pengisian: 5-7 jam
 Charger: Listrik tegangan Lokal
 Pisahkan usapan: 10 mm (3/8 "), tanpa kunci, cepat-fit
 cepat-release usapan
 Berat: 1,3 kg (2,86 lbs)
 Tingkat getaran: (sesuai dengan EN 60745-1, EN 60745-2-6):
 $a_n \leq 5,9 \text{ m/s}^2$, $a_n, D, K = 1,5 \text{ m/s}^2$
 $a_n = 4,7 \text{ m/s}^2$, $K = 1,5 \text{ m/s}^2$
 Kebisingan (sesuai dengan EN 60745-1):
 Tingkat tekanan kebisingan
 Lpa = 86 dB (A), Kpa = 3 dB (A),
 Tingkat daya kebisingan
 LWA = 97 dB (A), Kwa = 3 dB (A)

DAFTAR FITUR

Penomoran fitur produk yang tertera mengacu pada gambar bor palu pada halaman grafis.

1. SDS ditambah alat pemegang
2. Tutup pelindung debu
3. Sarung kunci
4. Tombol fungsi bor palu/bor
5. Tombol arah rotasi
6. Tombol On/Off
7. Ø 3mm (1/8") gurdi kayu, untuk digunakan dengan kepala bor cadangan (pengeboran tanpa benturan)

8. Ø 5mm (3/16") gurdi kayu, untuk digunakan dengan kepala bor cadangan (pengeboran tanpa benturan)
9. Ø 5mm (3/16") gurdi SDS (pengeboran dengan benturan)
10. Ø 6mm (1/4") gurdi SDS (pengeboran dengan benturan)
11. Ø 8mm (5/16") gurdi SDS (pengeboran dengan benturan)
12. Gagang (permukaan gagang yang nyaman dipegang)
13. Stopkontak untuk konektor isi ulang dan lampu dioda
14. Kepala bor cadangan
15. Konektor isi ulang
16. Trafo untuk isi ulang

WILAYAH PENGGUNAAN

Bor hantam ini dimaksudkan untuk pengeboran hantam dalam beton, batu bata dan batu, dan juga cocok untuk pengeboran tanpa hantam pada kayu, logam, keramik dan plastik dengan bindu terpisah yang disertakan. Mesin dengan kontrol elektronik dan rotasi kanan/kiri juga cocok untuk menyekrup.

Gunakan pengisi daya baterai hanya bila anda memahami dan dapat melakukan semua fungsi tanpa batasan, atau telah menerima petunjuk yang sesuai.

Petunjuk umum keselamatan untuk power tools



PERINGATAN!



Baca semua peringatan keamanan dan instruksi. Kegagalan untuk mengikuti semua peringatan dan instruksi dapat menyebabkan sengatan listrik, kebakaran dan / atau cedera serius.

Simpan semua peringatan dan instruksi untuk referensi di masa mendatang.

Istilah “power tool” dalam semua peringatan yang tercantum di bawah ini mengacu pada listrik anda dioperasikan (dijalin dgn tali) daya alat atau baterai dioperasikan (tanpa kabel) power tool.

Keamanan area kerja

- a. **Jaga area kerja bersih dan terang.** Daerah berantakan dan gelap mengundang kecelakaan.
- b. **Jangan mengoperasikan alat-alat listrik di atmosfer yang bisa meledak, seperti dengan adanya cairan yang mudah terbakar, gas atau debu.** Alat-alat listrik membuat percikan api yang dapat membakar debu asap.

c. **Jauhkan anak-anak dan para pengamat menjauh sementara operasi alat kekuasaan.** Gangguan dapat menyebabkan anda kehilangan kontrol.

Keamanan listrik

- a. **Daya colokan alat harus sesuai outlet. Jangan memodifikasi steker dengan cara apapun. Jangan menggunakan adaptor dengan colokan alat-alat listrik di lantai (tanah).** Busi dimodifikasi dan outlet yang sesuai akan mengurangi risiko kejutan listrik.
- b. **Hindari kontak tubuh dengan permukaan di lantai atau tanah seperti pipa, radiator, rentang dan lemari es.** Ada peningkatan risiko sengatan listrik jika tubuh anda di lantai atau tanah.

c. **Jangan mengekspos power tool untuk hujan atau kondisi basah.**

Air yang masuk power tool akan meningkatkan risiko sengatan listrik.

d. **Jangan menyalahgunakan kabelnya. Jangan menggunakan kabel untuk membawa, menarik atau mencabut power tool. Jauhkan kabel dari panas, minyak, tepi tajam atau bagian yang bergerak.** Kabel rusak atau terbelit meningkatkan risiko sengatan listrik.

e. **Ketika mengoperasikan power tool di luar ruangan, gunakan kabel ekstensi yang cocok untuk penggunaan outdoor.** Penggunaan kabel yang cocok untuk penggunaan outdoor mengurangi risiko sengatan listrik.

f. **Jika operasi alat listrik di lokasi yang lembab tidak dapat dihindari, gunakan perangkat yang dilindungi arus sisa (RCD) pasokan.** Penggunaan RCD mengurangi risiko sengatan listrik.

Keselamatan pribadi

- a. **Tetap waspada, perhatikan apa yang anda lakukan dan menggunakan akal sehat saat mengoperasikan alat kekuasaan. Jangan gunakan alat kekuasaan saat anda lelah atau di bawah pengaruh obat-obatan, alkohol atau obat.** Sesaat kurangnya perhatian saat mengoperasikan alat-alat listrik dapat menyebabkan cedera pribadi yang serius.
- b. **Gunakan peralatan perlindungan pribadi.** Selalu memakai pelindung mata. Peralatan pelindung seperti masker debu, sepatu pengaman anti selip, topi keras, atau perlindungan pendengaran digunakan untuk kondisi yang tepat akan mengurangi cedera pribadi.

c. **Mencegah mulai tidak disengaja: Pastikan bahwa saklar dalam posisi off-sebelum terhubung ke sumber listrik dan / atau kemasan baterai, mengambil atau membawa alat.**

Membawa alat-alat listrik dengan jari anda pada switch atau mencolokkan alat-alat listrik yang memiliki aktifkan mengundang kecelakaan.

d. **Lepaskan semua kunci yang dipasang atau kunci sebelum menyalakan daya pada alat.** Sebuah kunci inggris atau tombol kiri menempel ke bagian berputar dari alat listrik dapat menyebabkan cedera pribadi.

e. **Jangan melampaui batas. Jauhkan pijakan yang tepat dan keseimbangan setiap saat.** Hal ini memungkinkan kontrol yang lebih baik dari power tool dalam situasi tak terduga.

f. **Berpakaian secara layak. Jangan memakai pakaian yang longgar atau perhiasan. Menjaga rambut Anda, pakaian dan sarung tangan menjauh dari bagian yang bergerak.** Pakaian longgar, perhiasan atau rambut panjang dapat ditangkap di bagian yang bergerak.

g. **Jika disediakan perangkat untuk sambungan dari ekstraksi debu dan fasilitas pengumpulan, pastikan ini adalah terhubung dan benar digunakan.** Penggunaan perangkat ini dapat mengurangi bahaya debu terkait.

Penggunaan dan perawatan alat listrik

a. **Jangan memaksa alat listrik. Gunakan alat listrik yang benar untuk aplikasi anda.** Alat listrik yang benar akan melakukan pekerjaan lebih baik dan lebih aman pada tingkat yang dirancang.

b. **Jangan gunakan alat listrik jika saklar tidak menyalakannya dan mematikan.** Setiap alat listrik yang tidak dapat dikontrol dengan saklar berbahaya dan harus diperbaiki.

c. **Lepaskan steker dari sumber listrik dan / atau baterai sebelum membuat penyesuaian, mengubah aksesoris, atau menyimpan alat-alat listrik.** Keamanan seperti langkah-langkah pencegahan mengurangi risiko kecelakaan menyalakan perkakas listrik.

d. **Simpan alat-alat listrik yang tidak sedang digunakan jauh dari jangkauan anak-anak dan tidak mengizinkan orang yang tidak terbiasa dengan alat listrik atau dengan instruksi ini untuk mengoperasikan alat listrik.** Alat-alat listrik berbahaya di tangan pengguna yang tidak terlatih.

e. **Menjaga alat-alat listrik. Periksa salah jajaran atau pengikatan bagian yang bergerak, kerusakan suku cadang dan kondisi lainnya yang dapat mempengaruhi jalannya perkakas listrik itu. Jika rusak, memiliki alat diperbaiki sebelum digunakan.** Banyak kecelakaan terjadi karena perkakas listrik yang tidak terawat.

f. **Jauhkan alat pemotong yang tajam dan bersih.** Alat pemotong terjaga dengan tepi yang tajam cenderung tidak mengikat dan lebih mudah untuk mengontrol.

g. **Gunakan alat listrik, aksesoris dan alat bit dll, sesuai dengan petunjuk ini dan dengan cara yang dimaksudkan untuk jenis tertentu dari alat listrik, dengan mempertimbangkan kondisi kerja dan pekerjaan yang akan dilakukan.** Penggunaan perkakas listrik

untuk operasi yang berbeda dengan yang dimaksudkan akan mengakibatkan situasi yang membahayakan.

h. Peganglah perkakas listrik dengan pegangan yang terisolasi, ketika melakukan pekerjaan di mana sekiranya bisa kontak dengan kabel tersembunyi atau kabelnya sendiri.

Pengencang menghubungkan "hidup" kawat dapat membuat bagian-bagian logam dari perkakas listrik "hidup" dan bisa memberikan operator sengatan listrik.

Penggunaan dan perawatan peralatan baterai

a. Isi ulang hanya dengan pengisi daya yang ditentukan oleh produsen.

Pengisi daya yang cocok untuk satu jenis baterai dapat menciptakan risiko kebakaran bila digunakan dengan kemasan baterai lainnya.

b. Gunakan alat-alat listrik hanya dengan kemasan baterai khusus yang ditunjuk. Penggunaan setiap kemasan baterai lain mungkin membuat risiko cedera dan api.

c. Bila baterai tidak digunakan, jauhkan dari benda logam lain, seperti penjepit kertas, koin, kunci, paku, sekrup atau benda logam kecil yang dapat membuat koneksi dari satu terminal ke yang lain. Shorting terminal baterai bersama-sama dapat menyebabkan luka bakar atau kebakaran.

d. Dalam kondisi yang melecehkan, cair dapat dikeluarkan dari baterai, hindari kontak. Jika kontak tidak sengaja terjadi, siram dengan air. Jika cairan kontak mata, tambahkan minta bantuan medis. Cair dikeluarkan dari baterai dapat menyebabkan iritasi atau luka bakar.

Servis

a. Harap carilah ahli yang menggunakan suku cadang asli untuk memperbaiki peralatan listrik anda.

Ini akan memastikan bahwa keselamatan power tool terjaga.

INSTRUKSI KESELAMATAN SPESIFIK MESIN

Peringatan keselamatan bor

Kenakan pelindung telinga saat menggunakan bor penghantam.

Paparan kebisingan dapat menyebabkan gangguan pendengaran.

Gunakan detektor logam yang cocok untuk mencari kabel dan pipa yang tidak terlihat, atau hubungi perusahaan listrik lokal anda untuk meminta bantuan. Sentuhan dengan kabel listrik dapat menyebabkan

kebakaran dan sengatan listrik. Pipa gas yang rusak bisa mengakibatkan ledakan. Menembus garis air menyebabkan kerusakan properti atau dapat menyebabkan sengatan listrik.

Matikan segera perkakas listrik, jika alat kerjanya memblok. Bersiaplah untuk torsi reaksi yang tinggi yang dapat menyebabkan bantingan.

Alat kerja macet ketika:

- alat listrik dibebankan terlalu berat atau
- menjadi terjepit di benda kerja.

Ketika bekerja dengan alat listrik, selalu pegang erat-erat dengan kedua tangan dan berikan sikap yang aman.

Alat daya lebih aman dipandu dengan kedua tangan.

Amankan benda kerja. Sebuah benda kerja dijepit dengan perangkat menjepit atau wakil diselenggarakan lebih aman daripada dengan tangan.

Jaga tempat kerja anda bersih.

Campuran bahan sangat berbahaya. Debu logam ringan bisa terbakar atau meledak.

Selalu menunggu sampai mesin telah datang untuk benar-benar berhenti sebelum menempatkan ke bawah. Alat kerja bisa tersangkut dan menyebabkan hilangnya kontrol atas alat.

Sebelum bekerja pada mesin (misalnya, pemeliharaan, mengganti alat, dll) serta selama transportasi dan penyimpanan, atur switch arah rotasi ke posisi pusat aktuasi. Ketidaksengajaan switch dari On / Off dapat mengakibatkan cedera.

Lindungi alat listrik terhadap panas, e. g., melawan sinar matahari yang intens terus menerus, api, air, dan kelembaban. Bahaya ledakan.

Dalam kasus kerusakan dan penyalahgunaan baterai, uap dapat dipancarkan. Sediakan udara segar dan cari bantuan medis dalam kasus pengaduan. Uap dapat mengiritasi sistem pernapasan.

Peringatan keamanan untuk pengisian baterai



Hanya untuk pemakaian dalam ruangan



Terisolasi ganda

Jauhkan pengisi daya baterai jauh dari hujan atau kelembaban. Penetrasi air di pengisi daya baterai meningkatkan risiko sengatan listrik.

Jangan mengisi baterai lainnya. Pengisi daya baterai hanya cocok untuk pengisian baterai yang disertakan dengan alat listrik Anda. Jika tidak akan ada bahaya kebakaran dan ledakan.

Jaga bersih pengisi daya baterai. Kontaminasi dapat menyebabkan bahaya sengatan listrik.

Sebelum setiap kali digunakan, periksa pengisi baterai, kabel dan steker. Jika kerusakan terdeteksi, jangan menggunakan pengisi baterai. Jangan pernah membuka pengisi daya baterai sendiri. Perbaikan dilakukan hanya oleh teknisi ahli. Pengisi baterai rusak, kabel dan steker meningkatkan risiko sengatan listrik.

Jangan mengoperasikan pengisi baterai pada permukaan mudah terbakar (misalnya, kertas, tekstil, dll) atau sekitarnya. Pemanasan dari pengisi daya baterai selama proses pengisian dapat menimbulkan bahaya kebakaran.

Anak-anak harus diawasi agar mereka tidak bermain dengan pengisi daya baterai.

INFORMASI GETARAN

Tingkat getaran

Emisi Tingkat getaran dinyatakan dalam instruksi manual telah diukur sesuai dengan tes standar yang diberikan dalam EN 60745. Ini dapat digunakan untuk membandingkan satu alat dengan yang lain dan sebagai penilaian awal paparan getaran saat menggunakan alat untuk aplikasi yang disebutkan dalam manual ini. Namun, dengan menggunakan alat ini untuk aplikasi yang berbeda, atau dengan aksesoris yang berbeda atau kurang terpelihara, secara signifikan dapat meningkatkan tingkat eksposur.

Perkiraan tingkat paparan getaran juga harus memperhitungkan waktu ketika alat dimatikan atau ketika sedang berjalan tetapi tidak benar-benar melakukan pekerjaan, karena hal ini secara signifikan dapat mengurangi tingkat paparan selama periode bekerja total.

Lindungi diri terhadap efek getaran dengan mempertahankan alat dan aksesorinya, jaga tangan anda hangat, dan pola pengorganisasian pekerjaan anda.

PEMASANGAN

Sebelum bekerja pada mesin (misalnya pemeliharaan, alat perubahan, dll) serta selama transportasi dan penyimpanan, atur saklar arah rotasi ke posisi tengah.

Pemicu aktuasi yang tidak disengaja dapat menyebabkan cedera.

Mengisi baterai

Pengisian bor hantam anda

Ketika pengisi terhubung ke pasokan listrik, dioda merah pada lampu bor hantam ke atas. Dioda menyala ketika baterai sedang diisi (13).

Dalam kondisi normal penggunaan bor hantam dapat diisi ulang beberapa ratus kali.

PERHATIAN! Proses pengisian menghasilkan panas pada baterai.

Catatan: Baterai yang disertakan dengan bor hantam telah dikenakan biaya untuk tujuan pengujian saja dan harus diisi penuh sebelum digunakan.

Pertama baca petunjuk keselamatan dan kemudian ikuti petunjuk loading. Masukkan konektor muatan (15) ke dalam soket (13) di bor hantam. Kemudian hubungkan transformator pengisi daya ke pasokan listrik.

Pastikan bahwa tidak ada knot atau tikungan tajam dalam kabel.

Transformator pengisi daya dan baterai telah dirancang untuk digunakan bersama.

JANGAN PERNAH menggunakan charger ini untuk mengisi ulang alat tanpa kabel atau baterai dari produsen lain. Baterai secara bertahap akan berkurang dengan sendirinya selama periode waktu, bahkan jika alat tidak digunakan.

Baterai lithium-ion dilindungi dalam pemakaian oleh "Electronic Cell Protection (ECP)". Setelah baterai kosong, mesin dimatikan melalui suatu pengaman: alat kerja berhenti memutar.



PERINGATAN Jangan terus tekan tombol On / Off setelah mesin telah otomatis dimatikan. Baterai dapat rusak.



PERINGATAN! Isi ulang baterai pada permukaan yang tidak mudah terbakar. Jangan mengisi ulang baterai selama lebih dari delapan jam. Dioda merah akan berubah menjadi hijau bila baterai telah terisi penuh.

Lepaskan kabel dan menyimpan trafo di tempat yang cocok jika tidak digunakan.

Hal ini tidak dianjurkan untuk mengisi ulang baterai di suhu di bawah titik beku.

Saat melepas baterai dari mesin, gerakkan saklar pemacu (5) sampai baterai benar-benar habis. Lepaskan sekrup di sarung dan lepaskan. Lepaskan koneksi pada baterai dan keluarkan baterai (lihat gambar A).

ARAHAN PENGGUNAAN

Mengganti alat

Pemegang SDS alat ditambah memungkinkan untuk perubahan mudah dan nyaman alat pengeboran tanpa menggunakan alat tambahan. Karena prinsip kerja mereka, SDS ditambah pengeboran alat bergerak bebas. Hal ini menyebabkan runout radial tanpa beban. Namun, ini tidak berpengaruh pada keakuratan dari lubang bor, seperti mata bor pusat itu sendiri selama pengeboran. Pemegang alat SDS juga dapat mengakomodasi berbagai jenis mata bor dengan gagang segi enam. Perlindungan debu topi (2) sebagian besar mencegah masuknya debu ke dalam pengeboran pemegang alat selama operasi. Ketika

memasukkan alat ini, berhati-hati bahwa perlindungan debu topi (2) tidak rusak.

Memasukkan SDS ditambah Alat pemboran (lihat gambar A)

Bersihkan dan ringan gemuk ujung pegang dari alat.

Masukkan alat dengan cara memutar ke dalam pemegang alat sampai mengancing sendiri.

Periksa menempel dengan menarik alat.

Menghapus SDS ditambah Alat pemboran (lihat gambar A)



PERINGATAN! Aksesoris dapat menjadi panas setelah digunakan.

Hindari kontak dengan kulit dan menggunakan sarung tangan pelindung yang tepat atau kain untuk menghapus. Dorong kembali lengan penguncian (3) dan menghapus alat. Semua aksesoris harus dibersihkan setelah dilepaskan.

Debu / Chip Ekstraksi

Debu dari bahan seperti timbal yang mengandung pelapis, beberapa jenis kayu, mineral dan logam bisa berbahaya bagi kesehatan seseorang. Menyentuh atau menghirup debu-dalam dapat menyebabkan reaksi alergi dan / atau menyebabkan infeksi pernapasan pengguna atau pengamat.

Beberapa debu tertentu seperti oak atau debu beech, dianggap sebagai karsinogenik, terutama sehubungan dengan kayu-pengobatan aditif (kromat, pengawet kayu). Bahan yang mengandung asbes hanya dapat bekerja dengan spesialis.

-Sediakan ventilasi yang baik dari tempat bekerja.

-Disarankan untuk memakai respirator penyaring kelas P2.

Amati peraturan yang relevan di negara anda untuk material yang akan bekerja.

Memulai operasi

Mengatur modus operasi

Dengan omsakelar palu pengeboran / drilling (4), modus operasi dari mesin dipilih

Catatan: Ubah modus operasi hanya ketika mesin dimatikan! Jika tidak, mesin bisa rusak.

Untuk mengubah modus operasi, putar saklar pemilih untuk "pengeboran hantam/ membor" (4) ke posisi yang diminta.



Posisi untuk pengeboran hantam dalam beton atau batu



Posisi untuk pengeboran tanpa hantam pada kayu, logam, keramik dan plastik serta untuk menyekrup

Menyetel arah putaran

Jalankan saklar arah putaran (5) hanya ketika mesin di berhenti.

Saklar arah putaran (5) digunakan untuk merubah arah putaran dari mesin. Namun, ini tidak mungkin dengan On / Off switch (6) aktif.

Rotasi Kanan: Untuk pengeboran dan mengemudi dalam sekrup, tekan saklar arah putaran (5) kiri ke stop

Rotasi Kiri: Untuk melonggarkan dan melepas sekrup dan mur, tekan tombol arah putaran (5) melalui ke halte yang tepat.

Menyalakan dan mematikan

Untuk menjalankan mesin, tekan tombol On/Off (6) dan tahan.

Untuk mematikan mesin, lepaskan tombol On/Off (6).

Untuk suhu rendah, perkakas listrik mencapai kapasitas martil/dampak hantam penuh hanya setelah waktu tertentu.

Catatan: Percikan dapat terlihat melalui celah di badan mesin selama digunakan. Percikan adalah reaksi normal dari mesin ketika digunakan dan dihasilkan oleh komponen di dalam mesin yang bergerak. Fungsi dari alat listrik tidak terpengaruh oleh hal ini. Namun kami menyarankan untuk tidak menggunakan alat listrik dekat cairan yang mudah terbakar, gas atau debu, yang dapat memicu percikan.

Mengatur Tingkat martil/dampak.

Tingkat kecepatan/dampak hantam dari perkakas listrik bisa disetel, tergantung pada sejauh mana tombol On/Off (6) ditekan.

Tekanan ringan pada tombol On/Off (6) menghasilkan kecepatan rendah/tingkat hantam. Tekanan pada saklar meningkatkan tingkat kecepatan/tingkat hantam.

Perlindungan Terlebih Muatan Mengikuti Suhu

Bila menggunakan sebagaimana dimaksud, perkakas listrik tidak bisa dibebankan terlalu berat. Ketika beban terlalu tinggi atau suhu baterai yang diijinkan dari 70 ° C terlampaui, kontrol elektronik mematikan perkakas listrik sampai suhu dalam kisaran suhu yang optimal.

Saran bekerja

Terapkan alat mesin untuk mur sekrup/ hanya ketika dimatikan. Memasukkan alat berputar bisa meleset.

MAINTENANCE DAN PEMBERSIHAN

Sebelum bekerja pada mesin (misalnya pemeliharaan, alat perubahan, dll) serta selama pengendaraan dan penyimpanan, atur tombol arah rotasi ke posisi tengah. Aktuasi tidak disengaja dapat menyebabkan cedera.

Untuk kerja yang aman dan benar, selalu jaga mesin dan slot ventilasi bersih.

PETUNJUK PEMBUANGAN PADA LINGKUNGAN

Bantuan perlindungan terhadap lingkungan

Informasi (untuk penggunaan rumah tangga) tentang pembuangan ramah lingkungan peralatan listrik dan elektronik sesuai dengan pengarahannya WEEE (Waste Electrical dan Electronic Equipment).



Simbol ini pada produk listrik dan elektronik dan dokumen menyertainya menunjukkan bahwa produk ini tidak boleh dibuang bersamaan dengan limbah rumah tangga. Sebaliknya produk dibawa ke tempat pembuangan yang di tentukan dimana barang diterima secara gratis untuk dibuang, dirawat, dipulihkan dan didaur ulang dengan benar. Di beberapa negara mungkin dapat mengembalikan produk anda ke toko pembelian dimana anda akan membeli produk baru yang sejenis. Dengan pembuangan yang tepat anda telah membantu menghemat sumber daya yang berharga dan menghilangkan efek negatif akibat pembuangan yang tidak bertanggung jawab dan juga pengolahan limbah akan membantu kesehatan dan lingkungan. Silahkan hubungi otoritas setempat anda untuk informasi tempat pengumpulan WEEE terdekat. Pembuangan sampah jenis ini dengan cara yang tidak benar akan dikenakan hukuman dan denda sesuai hukum yang berlaku.

Membuang baterai rusak atau habis

Jangan membuang baterai bersama-sama ke limbah rumah tangga biasa, api atau air. Sesuai dengan hukum, baterai yang rusak atau habis harus dibawa ke tempat pengumpulan terdekat untuk baterai atau perusahaan manajemen baterai. Kegagalan untuk mematuhi peraturan ini bisa membuat Anda dikenakan hukuman denda atau lainnya.

**Informasi mengenai pembuangan
untuk pengguna bisnis di negara-
negara lain di luar Uni Eropa.**



Simbol ini hanya berlaku di dalam Uni Eropa.
Silahkan hubungi otoritas terkait atau pengecer di negara anda untuk informasi tentang metode yang tepat untuk pembuangan produk ini.

Gerudi tukul li-ion 14.4V FIXA

SPEKIFIKASI TEKNIKAL

Voltan: 14.4 V
 Kadar kelajuan: 0-900 rpm
 Kadar impak: 0-4800 bpm
 Tenaga impak setiap strok: 1.0 J
 Pemegang alat: SDS plus
 Dia. maks penggerudian:
 -konkrit (dengan gerudi pulas) 10 mm (3/8")
 -keluli 8 mm (5/16")
 -kayu 10 mm (3/8")
 Bateri: bateri litium-ion
 Kapasiti: 1.5 Ah
 Bilangan sel bateri: 4
 Masa mengecas: 5-7 h
 Pengecas: Voltan utama tempatan
 Bindu berasingan: 10 mm (3/8"), tanpa kunci, bindu boleh masuk dan dikeluarkan dengan mudah
 Berat : 1.3 kg (2.86 lbs)
 Tahap getaran:
 (mengikut EN 60745-1, EN 60745-2-6):
 $a_{rh}, D = 5.9 \text{ m/s}^2, K = 1.5 \text{ m/s}^2$
 $a_{rh} = 4.7 \text{ m/s}^2, K = 1.5 \text{ m/s}^2$
 Bunyi bising (mengikut EN 60745-1):
 Tahap bunyi bising
 $L_{pa} = 86 \text{ dB (A)}, K_{pa} = 3 \text{ dB (A)}$,
 Tahap kuasa bunyi bising
 $L_{wa} = 97 \text{ dB (A)}, K_{wa} = 3 \text{ dB (A)}$

SENARAI CIRI-CIRI

Nombor ciri-ciri produk ditunjukkan merujuk kepada ilustrasi gerudi tukul pada halaman grafik.

1. Pemegang alatan SDS plus
2. Penutup perlindungan habuk
3. Sarung kunci
4. Suis pilih untuk penggerudian tukul/ penggerudian
5. Suis arah putaran
6. Suis On/Off
7. Ø3mm (1/8") mata kayu, untuk

- digunakan dengan bindu (bagi menggerudi tanpa hentaman)
8. Ø5mm (3/16") mata kayu, untuk digunakan dengan bindu (bagi menggerudi tanpa hentaman)
9. Ø5mm (3/16") mata SDS (untuk penggerudian dengan hentaman)
10. Ø6mm (1/4") mata SDS (untuk penggerudian dengan hentaman)
11. Ø8mm (5/16") mata SDS (untuk penggerudian dengan hentaman)
12. Pemegang (permukaan genggaman berpenambat)
13. Soket untuk penyambung cas dan diod lampu
14. Bindu tukar
15. Penyambung cas
16. Transformer untuk pengecas

KAWASAN PENGGUNAAN

Gerudi tukul ini dikhaskan untuk penggerudian tukul pada konkrit, bata dan batu, dan juga sesuai untuk menggerudi tanpa impak pada kayu, logam, seramik dan plastik dengan bindu berasingan yang disertakan. Mesin dengan kawalan elektronik dan pusingan kanan/kiri juga sesuai untuk memutar skru.

Gunakan pengecas bateri hanya jika anda memahami sepenuhnya dan boleh menggunakan semua fungsi tanpa had, atau telah menerima arahan yang betul.

ARAHAN KESELAMATAN SPESIFIK MESIN

ARAHAN KESELAMATAN AM





Baca semua amaran dan arahan. Kegagalan untuk mengikuti semua arahan di bawah mungkin akan mengakibatkan kejutan elektrik, kebakaran dan/atau kecederaan serius.

Simpan arahan ini untuk rujukan di masa hadapan.

Terma "power tool" pada semua amaran di bawah merujuk kepada alatan yang beroperasi menggunakan elektrik (berkord) atau bateri (tanpa kord).

Ruang kerja

a. **Pastikan ruang kerja bersih dan terang.** Ruang yang bersepeh dan gelap akan mengundang kemalangan.

b. **Jangan menggunakan 'power tools' di kawasan yang cenderung kepada letupan, contohnya berdekatan dengan cecair, gas dan habuk yang mudah terbakar.** 'Power tools' menghasilkan percikan api yang boleh menyebabkan kebakaran.

c. **Jauhkan daripada kanak-kanak dan orang ramai ketika menggunakan 'power tool'.** Kelalaian boleh menyebabkan anda hilang kawalan.

Keselamatan elektrik

a. **Plak 'power tool' mestilah bersesuaian dengan soket. Jangan mengubahsuai plak dengan apa cara sekalipun. Jangan gunakan plak penyesuai yang terbumikan 'power tool' anda.** Plak yang tidak diubahsuai akan mengurangkan risiko kejutan elektrik.

b. **Elakkan bersentuhan dengan permukaan terbumi seperti paip, radiator dan peti sejuk.** Risiko kejutan elektrik meningkat jika tubuh anda terbumi.

c. **Jangan dedahkan 'power tool' kepada hujan atau keadaan basah.** 'Power tool' yang terkena air akan meningkatkan risiko kejutan elektrik.

d. **Jangan salah gunakan kord. Jangan sesekali gunakan ia untuk mengangkat, menarik atau mencabut 'power tool' daripada soket. Jauhkan kord daripada kepanasan, minyak, benda tajam atau bahagian yang bergerak.** Kord yang rosak atau terbelit meningkatkan risiko kejutan elektrik.

e. **Apabila menggunakan 'power tool' di luar bangunan, gunakan kord sambungan yang bersesuaian dengan kegunaan luar.** Menggunakan kord yang bersesuaian mengurangkan risiko kejutan elektrik.

f. **Jika menggunakan alat ini di lokasi yang lembap tidak dapat dielakkan, gunakan bekalan alat arus sisa (RCD) yang dilindungi.** Penggunaan RCD mengurangkan risiko kejutan elektrik.

Keselamatan peribadi

a. **Sentiasa berjaga-jaga, perhatikan apa yang anda lakukan dan gunakan akal ketika menggunakan alat ini. Jangan gunakannya ketika anda penat atau di bawah pengaruh dadah, alkohol atau ubat.** Kelalaian seketika boleh menyebabkan kecederaan serius tatkala menggunakan alat ini.

b. Gunakan pelindung keselamatan. Sentiasa memakai pelindung mata.

Topeng habuk, kasut keselamatan tidak mudah tergelincir, topi keras, atau pelindung pendengaran akan mengurangkan risiko kecederaan serius.

c. Elakkan permulaan kemalangan. Pastikan suis dimatikan ketika memasukkan plak ke dalam punca kuasa.

Membawa alat ini dengan jari anda pada suis kuasa boleh mengundang kemalangan.

d. Alihkan kunci pelaras atau perengkuh sebelum menghidupkan alat ini. Apa-apa yang bersambungan dengan bahagian bergerak alat ini boleh mengakibatkan kecederaan.

e. Jangan melampaui jangkauan anda. Pastikan anda sentiasa seimbang setiap masa. Ini boleh membantu anda berada dalam kawalan ketika kejadian tidak diingini berlaku.

f. Berpakaian dengan sepatutnya. Jangan memakai barang kemas atau baju yang besar. Jauhkan rambut, pakaian dan sarung tangan daripada bahagian yang bergerak. Pakaian yang besar, barang kemas atau rambut panjang boleh tersangkut pada bahagian bergerak.

g. Jika alat ini disertakan dengan sambungan pekekstrak habuk dan kemudahan pengumpulan, pastikan alat ini disambungkan dan digunakan dengan betul. Penggunaan alat-alat ini boleh mengurangkan bahaya berkaitan habuk.

Penggunaan dan penjagaan 'power tool'

a. Jangan memaksa penggunaan 'power tool'. Gunakan alat yang sepatutnya untuk kegunaan yang betul. Alat yang betul akan membuat kerja dengan baik dan selamat, sesuai dengan kegunaannya.

b. Jangan gunakan 'power tool' jika suis tidak berfungsi. 'Power tool' yang tidak boleh dikawal dengan suisnya adalah berbahaya dan mesti dibaiki.

c. Cabut plak daripada punca kuasa sebelum melakukan penyenggaraan, penukaran aksesori, atau penyimpanan alat ini. Langkah keselamatan ini dapat mengurangkan risiko menghidupkan alat ini tanpa sengaja.

d. Simpan 'power tool' yang tidak digunakan jauh daripada kanak-kanak dan jangan benarkan individu tanpa pengalaman menggunakan alat ini. Alat ini adalah berbahaya pada pengguna yang tidak terlatih.

e. Senggarakan 'power tool'. Periksa ketidakselarasan atau bahagian bergerak yang terikat, kepatahan dan keadaan yang lain yang mungkin mengganggu 'power tool' ketika digunakan. Jika rosak, baiki sebelum menggunakannya. Banyak kemalangan terjadi akibat 'power tool' yang tidak disenggara.

f. Pastikan alat memotong tajam dan bersih. Alat pemotong yang disenggara dengan baik adalah lebih mudah untuk dikawal.

g. **Gunakan 'power tool', aksesori dan bit alat-alat selaras dengan arahan ini dan ketika digunakan dengan kegunaan yang sepatutnya.**

Penggunaan alat yang tidak sepatutnya akan mengakibatkan keadaan yang berbahaya.

h) **Pegang alat ini di bahagian permukaan genggaman berpenebat apabila melakukan kerja yang mungkin menyebabkan alat terkena wayar tersembunyi atau kord sendiri.**

Terkena wayar hidup menyebabkan bahagian logam terdedah alat ini hidup dan boleh memberikan pengguna kejutan elektrik.

Cara menggunakan dan menjaga alat bateri

a. **Caskan bateri hanya dengan pengecas yang ditentukan oleh pengilang.** Pengecas untuk bateri tertentu akan mewujudkan risiko kebakaran apabila digunakan dengan bateri lain yang tidak sesuai.

b. **Gunakan alat dengan bateri yang dihaskan secara spesifik.** Penggunaan bateri yang lain mungkin mengakibatkan risiko kecederaan dan kebakaran.

c. **Apabila bateri tidak digunakan, jauhkannya daripada objek besi seperti klip kertas, syiling, kunci, paku, skru atau lain-lain objek besi kecil yang boleh menyambungkan satu terminal ke terminal yang lain.** Menyambungkan terminal bateri boleh menyebabkan melecun atau kebakaran.

d. **Penggunaan yang tidak betul mengakibatkan cecair keluar daripada bateri; elakkan sentuhan. Jika tersentuh, bilas dengan air. Jika**

terkena mata, dapatkan bantuan perubatan. Cecair daripada bateri boleh menyebabkan kerengsaan atau kelecuhan.

Servis

a. **Pastikan alat anda dibaiki oleh pakar yang diiktiraf yang menggunakan hanya alat ganti yang sama.**

Ini akan mengekalkan keselamatan alat ini.

ARAHAN KESELAMATAN SPESIFIK MESIN

Amaran keselamatan gerudi

Pakai pelindung telinga apabila menggunakan gerudi tukul ini.

Pendedahan kepada bunyi bising boleh mengakibatkan kehilangan pendengaran.

Guna pengesan yang sesuai untuk menentukan jika saluran utiliti tersembunyi dalam kawasan kerja atau hubungi syarikat utiliti tempatan anda untuk bantuan.

Tersentuh saluran elektrik boleh menyebabkan kebakaran dan kejutan elektrik. Menembusi saluran air menyebabkan kerosakan harta benda atau boleh menyebabkan kejutan elektrik.

Padamkan suis alat serta-merta apabila tersekat. Bersedia untuk tindak balas tork yang tinggi yang boleh menyebabkan anjakan. Sisipan alat boleh tersekat apabila:

- alatan melebihi muatan atau ia tersekat di dalam bahan kerja.

Apabila menggunakan alat ini, sentiasa genggamnya dengan kemas dengan kedua-dua belah tangan dan berdiri secara stabil. Alat ini lebih selamat jika digunakan

dengan kedua-dua belah tangan.

Kemaskan bahan kerja. Bahan kerja yang diapit dengan alat pengapit atau ragum adalah lebih kemas berbanding yang dipegang dengan tangan.

Pastikan tempat kerja anda bersih. Campuran bahan adalah merbahaya. Habuk daripada aloi ringan boleh terbakar atau meletup.

Sentiasa tunggu sehingga alat benar-benar berhenti sebelum meletakkannya. Sisipan alat boleh tersekat dan menyebabkan alat ini hilang kawalan.

Sebelum apa-apa kerja dilakukan ke atas mesin (seperti penyelenggaraan, menukar alat ganti, dsb.) dan juga ketika pengangkutan dan storan, setkan suis arah pusingan ke posisi tengah. Penggerakan tidak sengaja suis On/Off boleh menyebabkan kecederaan.

Lindungi alat kuasa terhadap haba seperti sinaran matahari panas yang berterusan, api, air dan kelembapan. Bahaya letupan.

Dalam kes kerosakan dan penggunaan bateri yang tidak betul, wap boleh dibebaskan. Dapatkan udara segar dan bantuan ubat jika terkena wap. Wap boleh merengsakan sistem pernafasan.

Amaran Keselamatan pengecas bateri



Untuk kegunaan dalam bangunan sahaja.



Ditebat dua kali.

Jauhkan pengecas bateri daripada hujan atau kelembapan. Risiko kejutan elektrik meningkat apabila air masuk ke pengecas bateri.

Jangan mengecas bateri jenis yang lain. Pengecas bateri hanya sesuai untuk mengecas bateri yang disertakan bersama peralatan anda. Jika sebaliknya berlaku, terdapat risiko kebakaran dan letupan.

Pastikan pengecas bateri sentiasa bersih. Pengecas yang tercemar boleh mengakibatkan kejutan elektrik.

Sebelum setiap penggunaan, periksa pengecas bateri, kabel dan palam. Jika terdapat kerosakan, jangan gunakan pengecas bateri itu. Jangan membuka pengecas bateri sendiri. Pastikan ia dibaiki oleh juruteknik yang berkelayakan. Pengecas bateri, kabel dan palam yang rosak meningkatkan risiko kejutan elektrik.

Jangan gunakan pengecas bateri pada permukaan atau persekitaran yang mudah terbakar (seperti kertas, tekstil, dsb). Haba pengecas bateri ketika proses mengecas boleh mendedahkan kepada bahaya terbakar.

Awasi kanak-kanak agar mereka tidak bermain dengan pengecas bateri ini.

MAKLUMAT GETARAN

Paras getaran

Pengeluaran getaran yang dinyatakan di dalam manual arahan telah memenuhi syarat-syarat standard yang telah diselaraskan di dalam EN 60745. Ia mungkin boleh digunakan untuk membandingkan satu alat dengan alat

yang lain dan sebagai penilaian awal apabila menggunakan alat ini untuk kegunaan yang dinyatakan di dalam manual ini. Walaubagaimanapun, menggunakan alat ini dengan bermacam cara, atau dengan aksesori yang tidak disenggara dengan baik boleh meningkatkan paras dedahan getaran.

Anggaran paras dedahan getaran harus diambil kira ketika alat ini tidak dihidupkan, atau dihidupkan, tetapi tidak digunakan, kerana ini mengurangkan paras dedahan terhadap jumlah masa bekerja.

Lindungi diri anda daripada kesan getaran dengan menyenggara alat ini dan aksesori, memanaskan tangan anda, dan merangka pelan kerja anda.

PEMASANGAN

Sebelum apa-apa kerja dilakukan terhadap mesin (seperti penyelenggaraan, menukar ganti peralatan, dsb) dan juga ketika pengangkutan dan storan, setkan suis arah pusingan kepada posisi tengah. Picu tergerak tanpa sengaja boleh menyebabkan kecederaan.

Mengecas bateri

Mengecas gerudi tukul

Apabila pengecas disambungkan ke bekalan elektrik, diod merah pada gerudi tukul menyala. Lampu diod menyala apabila bateri dicas (13).

Di bawah penggunaan yang normal gerudi tukul boleh dicas beberapa ratus kali.

PERHATIAN! Proses mengecas menjana haba pada bateri.

Nota: Bateri yang dibekalkan dengan gerudi tukul telah dicas untuk tujuan ujian sahaja dan mesti dicas sepenuhnya

sebelum digunakan.

Baca arahan keselamatan dahulu dan ikuti arahan memasang. Masukkan penyambung cas (15) ke dalam soket (13) pada gerudi tukul. Kemudian sambungkan transformer pengecas ke bekalan elektrik. Pastikan tiada simpulan atau bengkok yang tajam pada kabel.

Transformer pengecas dan bateri telah direka untuk digunakan bersama.

JANGAN gunakan pengecas ini untuk mengecas peralatan tanpa kord atau bateri daripada pengeluar yang lain. Bateri akan kehilangan kuasanya dalam masa tertentu, walaupun gerudi tidak digunakan. Bateri litium-ion dilindungi terhadap cas yang melampau oleh "Electronic Cell Protection (ECP)". Apabila bateri kosong, gerudi dipadamkan oleh pintas perlindungan: Gerudi tidak lagi berputar.



AMARAN Jangan terus menekan suis On/Off selepas alat ini dipadamkan secara automatik. Bateri boleh rosak.



AMARAN! Cas bateri pada permukaan tidak mudah terbakar. **Jangan cas bateri lebih daripada 8 jam.** Diod merah akan bertukar menjadi hijau apabila bateri telah penuh. Cabut kabel dan simpan transformer di tempat yang sesuai apabila tidak digunakan. Mengecas bateri dalam suhu di bawah paras beku adalah tidak disyorkan.

Apabila mengeluarkan bateri daripada mesin, gerakkan suis picu (5) hingga bateri dinyahcas sepenuhnya.

Longgarkan skru pada sarung dan tanggalkannya. Putuskan sambungan pada bateri dan keluarkannya (lihat ilustrasi A).

ARAHAN PENGGUNAAN

Menukar peralatan

Bekas peralatan SDS plus membenarkan penukaran ringkas dan mudah alat gerudi tanpa penggunaan alat tambahan. Peralatan gerudi SDS plus bergerak secara bebas. Ini menyebabkan jejari habis tanpa isian. Walaubagaimanapun, ini tidak memberikan kesan kepada ketepatan lubang gerudi, kerana mata gerudi mengetengahkan diri sendiri ketika menggerudi. Bekas peralatan SDS juga boleh menyimpan pelbagai jenis mata gerudi dengan bekas heksagon. Penutup perlindungan habuk (2) mengelakkan habuk gerudi masuk ke dalam bekas peralatan ketika digunakan. Apabila memasukkan peralatan, pastikan penutup perlindungan habuk (2) tidak rosak.

Memasukkan Peralatan Gerudi SDS plus (lihat rajah A)

Bersih dan griskan sedikit batang hujung peralatan.

Masukkan alat dengan memusingkannya ke dalam bekas peralatan hingga ia terselak sendiri.

Periksa selak dengan menarik peralatan tersebut.

Menanggalkan Peralatan Gerudi SDS plus (lihat rajah A)



AMARAN! Aksesori mungkin panas selepas digunakan. Elakkan sentuh kulit dan guna sarung tangan perlindungan atau lapik yang sesuai untuk mengalihkannya.

Tolak ke belakang sarung kunci (3) dan tanggalkan alat. Semua aksesori mesti dilap bersih selepas ditanggalkan.

Pengekstrakan Habuk/Serpihan

Habuk daripada bahan seperti yang mempunyai salutan mengandungi plumbum, beberapa jenis kayu, mineral dan logam boleh menjadi bahaya kepada kesihatan. Menyentuh atau menghidu habuk boleh menyebabkan alergi dan/ atau menyebabkan jangkitan respiratori pengguna atau orang sekeliling. Seseengah habuk, seperti habuk kayu oak atau bic adalah karsinogenik, terutamanya dengan kehadiran bahan tambahan rawatan kayu (kromat, pengawet kayu). Bahan yang mengandungi asbestos hanya boleh dikendalikan oleh pakar.

-Sediakan pengudaraan yang baik di tempat kerja.

-Memakai respirator tapis kelas P2 adalah disyorkan.

Ikuti peraturan berkenaan bahan kerja di negara anda.

Memulakan operasi

Mengeset mod operasi

Dengan suis pilih untuk menggerudi tukul/ menggerudi (4), mod operasi mesin ini telah dipilih.

Nota: Ubah mod operasi hanya jika mesin ini dipadamkan! Jika tidak, mesin ini boleh rosak. Untuk menukar mod operasi, pusing suis pilih ke "hammer drilling/ drilling" (4) ke posisi yang diinginkan.



Posisi menggerudi tukul untuk konkrit atau batu



Posisi menggerudi tanpa impak untuk kayu, logam, seramik dan plastik dan juga ketika memutar skru

Memutar balik Arah Pusingan

Gerakkan suis arah pusingan (5) hanya ketika mesin dalam keadaan statik. Suis arah pusingan (5) digunakan untuk menerbalikkan arah pusingan mesin. Walaubagaimanapun, ini tidak boleh dilakukan dengan suis On/Off (6) digerakkan.

Pusingan ke Kanan: Untuk menggerudi dan memasukkan skru, tekan suis arah pusingan (5) untuk berhenti.

Pusingan ke Kiri: Untuk melonggarkan dan mengeluarkan skru serta nat, tekan suis arah pusingan (5) menembusi terus ke kanan.

Suis On dan Off

Untuk menghidupkan mesin, tekan suis On/Off (6) dan biarkan ia dalam keadaan ditekan.

Untuk memadamkan mesin, lepaskan suis On/Off (6).

Untuk suhu rendah, alat kuasa ini mencapai kapasiti tukul/impak sepenuhnya selepas beberapa ketika.

Nota: Percikan api mungkin boleh dilihat menerusi slot di dalam bekas motor ketika dikendalikan. Percikan api ini merupakan tindak balas normal motor apabila digunakan dan terhasil oleh komponen di dalam motor yang bergerak dan terkena antara satu sama lain. Fungsi alat ini tidak dipengaruhi oleh percikan ini. Walaubagaimana pun, kami mengesyorkan alat kuasa ini tidak digunakan berdekatan sebarang cecair,

gas atau habuk yang mudah terbakar, yang boleh menyalakan percikan api ini.

Mengeset Kadar Kelajuan/Impak

Kadar kelajuan/impak alat kuasa yang dihidupkan boleh dilaraskan mengikut sejauh mana suis On/Off (6) ditekan. Tekanan ringan pada suis On/Off memberikan kadar kelajuan/impak yang rendah.

Perlindungan Terlebih Muatan Mengikut Suhu

Apabila digunakan mengikut kegunaannya, alat ini tidak boleh terlebih muatan. Apabila muatan terlalu tinggi atau terlebih suhu bateri bateri dibenarkan 70 °C, kawalan elektronik memadamkan suis alat ini sehingga suhu dalam rangkaian yang optimum semula.

Nasihat Penggunaan

Letakkan skru/nat pada alat kuasa ini hanya apabila ia dipadamkan. Ia boleh terjatuh jika diletakkan ketika alat kuasa berpusing.

PENYELENGGARAAN DAN PEMBERSIHAN

Sebelum apa-apa dilakukan ke atas mesin (seperti penyelenggaraan, penukaran alat ganti, dsb) dan juga pengangkutan dan storan, setkan suis arah putaran kepada posisi tengah.

Gerakan picu tanpa sengaja boleh mengakibatkan kecederaan.

Sentiasa kekalkan mesin dan pengudaraan dalam keadaan bersih untuk keselamatan dan supaya mesin berfungsi dengan baik.

ARAHAN PELUPUSAN MESRA ALAM SEKITAR

Boleh membantu melindungi alam sekitar

Maklumat (untuk rumah persendirian) tentang cara pembuangan peralatan elektrik dan elektronik yang betul mengikut arahan WEEE (Sampah Peralatan Elektrik dan Elektronik)



Simbol produk elektrik dan elektronik serta dokumen yang disertakan menandakan bahawa produk ini tidak boleh dibuang bersama sampah sarap isi rumah. Sebaliknya produk mesti diambil di pusat pungutan yang ditentukan secara percuma untuk dibuang, dirawat, diguna semula dan dikitar semula. Di negara tertentu, produk mungkin boleh dipulangkan ke penjual apabila membeli produk baru yang lebih kurang sama. Dengan membuang produk melalui cara yang betul anda membantu menyelamatkan sumber semula jadi yang bernilai dan membuang kesan negatif terhadap kesihatan dan alam sekitar hasil dari pembuangan dan pengurusan sampah yang tidak betul. Sila hubungi pihak berkuasa tertentu di kawasan anda untuk maklumat tentang pusat pungutan WEEE anda yang terdekat. Pembuangan sampah jenis ini dengan cara yang tidak diluluskan akan membolehkan anda didenda atau dikenakan penalti mengikut undang-undang.

Pelupusan bateri yang haus atau rosak

Jangan melupus atau membuang bateri bersama bahan buangan biasa di rumah, atau ke dalam api atau air. Bateri yang rosak atau haus mesti dibawa ke pusat

pengumpulan bateri atau syarikat pengurusan bateri yang terdekat, selaras dengan undang-undang. Kegagalan mematuhi syarat ini boleh menyebabkan anda didenda atau dikenakan penalti lain.

Maklumat tentang pembuangan produk untuk pengguna di syarikat di negara di luar Kesatuan Eropah.



Simbol ini hanyalah untuk Kesatuan Eropah.

Sila hubungi pihak berkuasa yang berkaitan atau peruncit di negara anda untuk maklumat tentang cara pembuangan yang betul untuk produk ini.

FIXA دريل مطرقة لنيوم أيون 14,4 فولط**المواصفات الفنية**

- الجهد: 14,4 فولط.
 سرعة المحرك: 0-900 دورة/دقيقة
 سرعة الدق: 0-4800 دقة/دقيقة
 قوة الطاقة المفردة: 1.0 J
 حامل الأداة: SDS plus
 قطر التثقيب الأقصى:
 - خرسانة (مع دريل إلتواني) 10 ملم (8/3 بوصة)
 - فولاذ 8 ملم (16/5 بوصة)
 - خشب 10 ملم (8/3 بوصة)
 البطارية: بطارية لنيوم أيون
 القدرة: 1,5 أمبير/ساعة
 عدد وحدات البطارية: 4
 مدة الشحن: 5-7 ساعات
 الشاحن: جهد المأخذ المحلي
 قابض لقم منفصل: 10 ملم (8/3 بوصة). بدون مفتاح,
 قابض لقم بإدراج سريع
 وتحرير سريع
 الوزن: 1,3 كجم (2,86 رطل)
 مستوى الإهتزاز:
 (وفقاً للمواصفات 2-6 EN 60745-1, EN 60745-1):
 $a_{p,D} = 5.9 \text{ m/s}^2$, $K = 1.5 \text{ m/s}^2$
 $a_{h,D} = 4.7 \text{ m/s}^2$, $K = 1.5 \text{ m/s}^2$
 الضجيج (وفقاً للمواصفات 1-1 EN 60745-1):
 مستوى ضغط الضجيج
 $L_{pa} = 86 \text{ dB (A)}$, $K_{pa} = 3 \text{ dB (A)}$
 مستوى طاقة الضجيج
 $L_{wa} = 97 \text{ dB (A)}$, $K_{wa} = 3 \text{ dB (A)}$

خصائص المنتج

أرقام خصائص المنتج الموضحة تشير إلى صور الدريل
 الصادم على صفحة الرسومات.

1. حامل أداة SDS plus
2. غطاء الحماية من الغبار
3. جلبية الإغلاق
4. مفتاح إختيار الثقب بالطرق/الثقب
5. مفتاح اتجاه الدوران
6. مفتاح تشغيل/إطفاء
7. لقمة خشب قطر 3 ملم (8/1 بوصة)، يتم استخدامها مع ميدل قابض اللقم (للتثقب بدون صدمات)

8. لقمة خشب قطر 5 ملم (16/3 بوصة)، يتم استخدامها مع ميدل قابض اللقم (للتثقب بدون صدمات)
9. لقمة SDS قياس 5 ملم (16/3 بوصة). (للتثقب بصدمة)
10. لقمة SDS قياس 6 ملم (4/1 بوصة). (للتثقب بصدمة)
11. لقمة SDS قياس 8 ملم (16/5 بوصة). (للتثقب بصدمة)
12. يد (أسطح معزولة)
13. مقيس لوصلة الشحن ولمبة ضوء
14. ميدل قابض اللقم
15. وصلة الشحن
16. محول الشاحن/محول الشاحن

أوجه الاستخدام

هذا الدريل المطرقة مخصص للتثقب بالطرق في الخرسانة، الطوب والحجر، ومناسب أيضاً للتثقب بدون طرق في الخشب، المعادن، السيراميك والبلاستيك مع قابض اللقم المنفصل المتضمن. الآلات ذات التحكم الإلكتروني ودوران إلى اليمين/اليسار مناسبة أيضاً للمفك.
 استخدم شاحن البطارية فقط عندما تفهم تماماً ويمكنك أداء جميع المهام دون تحديد، أو لتلقي التعليمات المناسبة.

تعليمات السلامة الخاصة بالآلة**تعليمات عامة للسلامة****تحذير!****يرجى قراءة جميع تحذيرات السلامة**

وجميع التعليمات. عدم اتباع جميع التحذيرات والتعليمات قد يؤدي إلى صدمة كهربائية، حريق و/ أو إصابة خطيرة.

يرجى الإحتفاظ بجميع التحذيرات والتعليمات للرجوع إليها مستقبلاً.

إن عبارة " الأداة " في جميع التحذيرات المذكورة أدناه تشير إلى الأداة التي تعمل عبر التوصيل بمأخذ كهربائي (مزودة بسلك) أو الأداة التي تعمل ببطارية (لاسلكية).

السلامة الشخصية

منطقة العمل

- أ. اجعل منطقة العمل نظيفة ومضاءة جيداً.
الأمكان المظلمة والتي بها فوضى مسببة للحوادث.
- ب. لا تشغّل الأداة في أجواء قابلة للانفجار،
مثلاً في وجود سوائل، غازات أو أتربة قابلة
للاشتعال. الأداة تحدث شرارة قد تشعل غبار الأبخرة.
- ج. ابقِ الأطفال والحاضرين بعيداً أثناء تشغيل
الأداة. عدم التركيز قد يؤدي إلى فقدان السيطرة.

السلامة في الكهرباء

- أ. يجب على مقاييس الأداة أن تتوافق مع مأخذ
الكهرباء. لا تقم أبداً بتعديل المقياس بأي شكل
من الأشكال. لا تستخدم أي مقاييس تحويل
ذات خط أرضي مع الأداة. المقاييس الغير معدلة
والمأخذ المتوافقة سوف تقلل من مخاطر حدوث صدمة
كهربائية.

- ب. تجنب ملامسة الأسطح ذات خط أرضي مثل
الأنابيب، المشعاع، الأفران والفلاجات. هناك خطر
متزايد لحدوث صدمة كهربائية إذا حدث توصيل أرضي
لجسمك.

- ج. لا تعرض الأداة للمطر أو لأجواء رطبة. دخول
المياه للأداة سوف يزيد من خطر حدوث صدمة
كهربائية.

- د. لا تنسِ استخدام السلك. لا تستخدم السلك
أبداً لحمل، وسحب أو لنزع الأداة من المأخذ.
احفظ السلك بعيداً عن الحرارة، الزيت، الحواف
الحادة أو الأشياء المتحركة. الأسلاك التالفة أو
المتشابكة تزيد من خطر حدوث صدمة كهربائية.

- هـ. عند تشغيل الأداة في أماكن خارجية،
استخدم سلك تمديد مناسب للاستخدام
الخارجي. استخدام سلك مناسب للاستخدام
الخارجي يقلل من خطر حدوث صدمة كهربائية.

- و. إذا كان من غير الممكن تجنّب تشغيل الأداة
في أماكن رطبة، استخدم مصدر طاقة محمي
بواسطة جهاز للتيار المتخلف. إن استخدام مثل
هذا الجهاز يقلل مخاطر الصدمة الكهربائية.

- أ. كن يقظاً، وراقب ما تقوم به واستخدم الحكمة
عند تشغيل الأداة. لا تستخدم الأداة عندما تكون
متعباً أو واقعاً تحت تأثير الأدوية المنومة. إذا
غفلت لحظة أثناء تشغيل الأداة فقد يؤدي ذلك إلى
إصابة بدنية بالغة.

- ب. استخدم معدات الحماية الشخصية. ارتدي
دائماً واقي العين. معدات الحماية مثل قناع الغبار،
أحذية السلامة المانعة للإنزلاق، القلنسوة الصلبة، أو
واقى الأذن الذي يستخدم في أحوال ملائمة سوف
تقلل من تعرضك للإصابات.

- ج. إمنع التشغيل العرضي. تأكد من أن المفتاح
في وضعية الإطفاء قبل التوصيل بمصدر الطاقة
و/أو عبوة البطارية، إنقطاع أو حمل الأداة. إن
حمل الأداة بينما يكون إصبعك على المفتاح أو توصيل
الأداة بالمأخذ بينما يكون المفتاح في وضعية التشغيل
سيؤدي للحوادث.

- د. قم بإزالة أي مفتاح تعديل أو مفتاح ربط قبل
تشغيل الأداة. مفتاح الربط أو التعديل الذي يترك
متصلاً بالجزء الدوار من الأداة قد يؤدي إلى الإصابة
الشخصية.

- هـ. لا تقترب كثيراً. حافظ على وقوفك وتوازنك
في جميع الأوقات. وهذا يتيح لك السيطرة بصورة
أفضل على الأداة في الحالات الغير متوقعة.

- و. ارتدي ملابس مناسبة. لا ترتدي ملابس
فضفاضة أو سلاسل. حافظ على شعرك
وملابسك وفازانك بعيداً عن الأجزاء المتحركة.
الملابس الفضفاضة والسلاسل أو الشعر الطويل قد
تتحرش في الأجزاء المتحركة.

- ز. إذا تم توفير أجهزة توصيل استخراج
الغبار ومرافق التجميع، تأكد من أنها متصلة
ومستخدمة بشكل صحيح. إن استخدام هذه
الأجهزة يمكن أن يقلل من المخاطر المتعلقة بالغبار.

استخدام الأداة والعناية بها

استخدام بطارية الأداة والعناية بها

أ. لا تستخدم القوة مع الأداة. استخدم الأداة الصحيحة في العمل. الأداة الصحيحة سوف تقوم بالمهام على نحو أفضل وأكثر أمناً بالمعدل الذي وضعت من أجله.

ب. لا تستخدم الأداة إذا لم يقم المفتاح بتشغيلها وإطفائها. أي أداة لا يتم التحكم بها بواسطة مفتاح التشغيل تعتبر خطرة ويجب إصلاحها.

ج. أفضل السلك عن مصدر الطاقة و/أو عبوة البطارية قبل إجراء أي تعديلات على الأداة أو تغيير ملحقاتها أو تخزينها. هذه التدابير المتخذة للسلامة تقلل من مخاطر تشغيل الأداة عن طريق الخطأ.

د. خزّن الأداة عند عدم الإستعمال بعيداً عن متناول الأطفال ولا تسمح لأشخاص ليس لديهم معرفة بالأداة أو بهذه التعليمات أن يقوموا بتشغيل الأداة. الأداة تعتبر خطرة عندما تكون في أيدي مستخدمين غير مدربين.

هـ. حافظ على الأداة. تحقق من عدم وجود اختلال أو تقييد للأجزاء المتحركة، أو كسر في الأجزاء وأي أشياء أخرى يمكن أن تؤثر في تشغيل الأداة. في حالة وجود تلف ما، قم بصيانة الأداة قبل الاستخدام. العديد من الحوادث تحدث نتيجة عدم صيانة الأداة.

و. حافظ على أدوات القطع حادة ونظيفة. أدوات القطع المحفوظة بشكل سليم مع حواف قطع حادة هي أقل عرضة للتقيد ويسهل السيطرة عليها.

ز. استخدم الأداة، ملحقاتها، لقم الأداة وغيرها، وفقاً لهذه التعليمات وبالطريقة المخصصة لنوعية الأداة، مع الأخذ في الاعتبار ظروف العمل والعمل الذي يتوجب إنجازه. إن استخدام الأداة في مهام تختلف عن تلك المصممة لأجلها يمكن أن يؤدي إلى أوضاع خطرة.

ح. أمسك الأداة من السطوح المعزولة عند القيام بعملية حيث قد يتصل ملحق القطع بسلك مخفي أو بسلك الطاقة. ملحق القطع الذي يتصل بسلك "بمر به التيار الكهربائي"، قد يجعل الأجزاء المعدنية المكشوفة للأداة محملة بالتيار وقد تعرض المستخدم صدمة كهربائية.

أ. استخدم فقط الشاحن المحدد من قبل الشركة المصنعة. إن الشاحن الذي يكون ملائماً لنوع واحد من البطارية قد يؤدي إلى حدوث حريق عندما يستخدم مع بطارية أخرى.

ب. استخدم الأداة مع عبوة البطارية المحددة له فقط. إن استخدام أي عبوة بطاريات أخرى قد يؤدي إلى خطر الإصابة والحرق.

ج. عندما لا تكون عبوة البطارية قيد الاستعمال، أبقها بعيداً عن الأحسام المعدنية الأخرى، مثل الدبابيس الورقية والنقود المعدنية والمفاتيح والمسامير والبراغي أو غيرها من الأحسام المعدنية الصغيرة التي يمكنها التوصل من محطة إلى أخرى. توصيل محطات البطارية معاً قد يعرضك للسمع أو يسبب حريق.

د. في ظل ظروف التشغيل السيئة، قد تخرج سوائل من البطارية؛ تجنب ملامستها. إذا حدث ملامسة بشكل عرضي، اغسل المكان بالماء، إذا لامس السائل العين، بالإضافة إلى غسلها بالماء، قم باستشارة الطبيب، السوائل التي تخرج من البطارية قد تسبب تهيجاً أو حروقاً.

الخدمة

أ. إصلاح الأداة لا يتم إلا بواسطة فني متخصص باستخدام قطع الغيار المطابقة فقط. وهذا يضمن الحفاظ على سلامة الأداة.

تعليمات السلامة الخاصة بالألة

تحذيرات السلامة الخاصة بالدريل

ارتدي واقيات للآذن عند استخدام الدريل المطرقة. التعرض للضوضاء قد يسبب فقدان السمع.

استخدم أدوات كشف مناسبة لتحديد ما إذا كانت خطوط المنافع مخفية في منطقة العمل أو اتصل بالشركة التي قامت بتوصيل المنافع للحصول على المساعدة. ملامسة خطوط الكهرباء قد يؤدي إلى حريق وصدمة كهربائية. الإضرار بخط الغاز يمكن أن يؤدي إلى انفجار، ثقب مواسير الماء قد يتسبب في أضرار بالممتلكات أو قد يؤدي إلى صدمة كهربائية.



عزل مزدوج.

قم بإطفاء الأداة فوراً عندما ينحشر الجزء المدرج من الآلة. كن مستعداً لأي ردة فعل عنيفة في عزم التدوير قد تؤدي إلى فقدان السيطرة على الآلة. الجزء المدرج من الآلة ينحشر في الحالات التالية:

- هناك تحميل زائد على الأداة أو أنها محشورة في القطعة المراد قطعها.

أبعد شاحن البطارية عن المطر أو الرطوبة. تغلغل المياه في شاحن البطارية يزيد من خطر حدوث صدمة كهربائية.

لا تشحن بطاريات أخرى. شاحن البطارية لا يصلح إلا للشحن البطاريات التي تم توفيرها مع الأداة. وإلا فسيكون هناك خطر الحريق والانفجار.

حافظ على نظافة شاحن البطارية. التلوث يمكن أن يؤدي إلى خطر حدوث صدمة كهربائية.

قبل الاستعمال في كل مرة، افحص شاحن البطارية والسلك والمقيس. إذا تم الكشف عن ضرر، لا تستخدم شاحن البطارية. لا تقم أبداً بفتح شاحن البطارية بنفسك. دع الإصلاحات ليقوم بها فني مؤهل فقط. شاحنات البطاريات التالفة، والأسلاك والمقاييس التالفة تزيد من خطر حدوث صدمة كهربائية.

لا تشغل شاحن البطارية على أسطح قابلة للإشتعال (على سبيل المثال، ورق، منسوجات، وغيرها) أو توجدها في مناطق محيطة بها. يمكن لحرارة شاحن البطارية أثناء عملية الشحن أن تشكل خطراً بحدوث حريق.

ينبغي أن يكون الأطفال تحت الملاحظة للتأكد من أنهم لا يلعبون بشاحن البطارية.

معلومات الإهتزاز

مستوى الاهتزاز

مستوى الاهتزاز المنصوص عليه في هذا الدليل تم قياسه وفقاً للاختبار موحد موضح في EN 60745؛ قد يستخدم لمقارنة أداة مع أخرى، وكتقييم أولي في التعرض للاهتزاز عند استخدام الأداة في التطبيقات المذكورة في هذا الدليل. وعلى كل حال، إن استخدام الأداة في تطبيقات مختلفة، أو مع ملحقات مختلفة أو ملحقات سبينة الصيانة، قد يزيد بشكل كبير من مستوى التعرض

تقييم مستوى التعرض للإهتزاز يجب أن يأخذ في اعتباره الأوقات التي يتم فيها إطفاء الأداة أو عندما تكون قيد التشغيل ولكن في الواقع لا تقوم بعملها، حيث أن

عند العمل بالأداة، أمسك بها بقوة دائماً بكلتا يديك، واتخذ وقوفاً آمناً.

الأداة يمكن السيطرة عليها وأكثر أماناً عندما تمسكها بكلتا يديك.

قم بتأمين القطعة المراد نشرها. الإمساك بالقطعة بواسطة الملزمة سيكون آمناً أكثر من الإمساك بها باليد.

احفظ مكان العمل نظيفاً. امتزاج المواد مع بعضها يعتبر خطراً بشكل خاص. البرادة الناتجة عن السبايك الخفيفة يمكن أن تحترق أو تنفجر.

انتظر دائماً حتى تتوقف الآلة تماماً قبل أن تضعها. يمكن للجزء المدرج من الآلة أن ينحشر ويؤدي إلى فقدان السيطرة على الآلة.

قبل البدء في أي عمل على الآلة (مثل الصيانة، تغيير الأداة وغيرها) ولا سيما أثناء النقل والتخزين، اجعل وضعيه مفتاح اتجاه الدوران في المنتصف. التشغيل الغير مقصود لمفتاح تشغيل/إطفاء يؤدي إلى وقوع إصابات.

أحمي الأداة من الحرارة، على سبيل المثال، أشعة الشمس الشديدة المستمرة، النار، الماء والرطوبة. خطر انفجار.

في حالة حدوث ضرر على البطارية وإساءة استخدامها، قد تنبعث منها أبخرة. استنشق هواء نقي واطلب المساعدة الطبية في حالة وجود شكوى. يمكن للأبخرة أن تهيج الجهاز التنفسي.

تحذيرات السلامة الخاصة بشاحنات البطارية

للإستخدامات الداخلية فقط.



ذلك قد يقلل بشكل ملحوظ من مستوى التعرض على كامل فترة العمل.

أحمي نفسك من آثار الاهتزاز من خلال المحافظة على الأداة وملحقاتها، وإبقاء يديك دافئة، وتنظيم أنماط عملك.

التجميع

قبل البدء في أي عمل على الآلة (مثل الصيانة، تغيير الأداة وغيرها) ولا سيما نداء النقل والتخزين، اجعل وضعية مفتاح اتجاه الدوران في المنتصف. التشغيل الغير مقصود لمفتاح التحكم يؤدي إلى وقوع اصابات.

شحن البطارية

شحن الدريل المطرقة

عندما يكون الشاحن موصولاً بالطاقة، فإن اللبنة الحمراء على الدريل المطرقة تكون مضاءة، وتضيء اللبنة أثناء شحن البطارية (13).

تحت ظروف الاستخدام العادية فإن الدريل المطرقة يمكن إعادة شحنه لعدة مئات من المرات.

انتبه! عملية الشحن تولد حرارة في البطارية.

ملحوظة: البطارية المرفقة مع الدريل المطرقة قد تم شحنها بهدف اختبارها فقط ويجب شحنها بالكامل قبل الاستعمال.

اقرأ أولاً تعليمات السلامة ثم اتبع تعليمات التحميل.

أدخل مقبس المحول (15) في مأخذ (13) الدريل المطرقة. ثم قم بتوصيل محول الشاحن بمصدر الطاقة.

تأكد من عدم وجود عقدة أو التواء حاد في السلك.

صمم محول الشاحن والبطارية ليستخدموا معاً.

لا تستخدم أبداً هذا الشاحن لشحن آلات لاسلكية أو بطاريات من مصنعين آخرين. سوف تفقد البطارية شحنها تدريجياً بعد فترة من الوقت، حتى إذا لم تستخدم الآلة.

بطارية الليثيوم أيون محمية ضد التفريغ العميق بتقنية "حماية الخلية الإلكترونية (ECP)". عندما تكون البطارية فارغة، يتم إطفاء الآلة بواسطة الدائرة الواقية: الأداة المدرجة لن تعد تدور.



تحذير! لا تستمر في الضغط على مفتاح تشغيل / إطفاء بعد أن تتوقف الآلة تلقائياً. يمكن البطارية قد تتلف.



تحذير! أعد شحن البطارية على سطح غير قابلة للاشتعال، لا تقم بإعادة شحن البطارية لأكثر من ثماني ساعات. سوف يتحول الضوء من الأحمر إلى الأخضر عند شحن البطارية بالكامل.

أفضل السلك وخرن المحول في مكان مناسب عندما لا يكون قيد الاستخدام.

من غير المستحسن إعادة شحن البطارية في درجات حرارة دون الصفر.

عند إزالة البطارية من الآلة، يسهّل مفتاح التحكم (5) حتى تفرغ البطارية تماماً. حل مسامير الغطاء ثم إنزع الغطاء. إفضل توصيلات البطارية ثم إنزع البطارية (انظر الشكل A).

تعليمات الاستخدام

تغيير الأداة

يتيح حامل أداة SDS plus تغيير أدوات الثقب ببساطة وسهولة دون استخدام أدوات إضافية. ونظراً للأسس التي تعمل عليها، فإن أدوات الثقب SDS plus تتحرك بحرية. وهذا يؤدي إلى تذبذب الدوران عند اللاحمل. ومع ذلك، فهو ليس له أي تأثير على دقة ثقب الدريل، حيث أن لقم الدريل تركز نفسها أثناء الثقب.

يمكن أيضاً لحامل أداة SDS plus استيعاب أنواع مختلفة من لقم الدريل ذات الساق السداسي. غطاء الحماية من الغبار (2) يمنع إلى حد كبير من دخول غبار الثقب في حامل الأداة أثناء العملية. عند إدراج الأداة، أحرص على أن لا يكون غطاء الحماية من الغبار (2) تالفاً.

إدراج أدوات الثقب SDS plus (انظر الشكل A) نظّف وضع قليلاً من الشحم على طرف الساق الخاص بالأداة.

أدرج الأداة في حامل الأداة بطريقة البرم حتى تثبت نفسها.

تحقق من التثبيت عن طريق سحب الأداة.

نزع أدوات الثقب SDS plus (انظر الشكل A)



تحذير! قد تكون الملحقات ساخنة بعد

الاستخدام. تجنب ملامستها بالجلد واستخدم قفازات واقية مناسبة أو قطعة قماش لنزعها. إُدفع حلبة الإغلاق للخلف (3) وإنزع الأداة. يجب مسح وتنظيف جميع الملحقات بعد نزعها.

استخلاص النشارة/ البرادة

النشارة أو البرادة الناتجة عن مواد مثل الطبقات المطلوبة بالرصاص، بعض أنواع الخشب، المعادن والحديد يمكن أن تكون ضارة بالصحة. ملامسة أو استنشاق النشارة يمكن أن يسبب حساسية و/ أو يؤدي إلى التهابات في الجهاز التنفسي للمستخدم أو للمتواجدين عن قرب.

بعض أنواع معينة من النشارة، مثل نشارة السنديان أو الزان، تعتبر مسرطنة، خاصة عندما تكون ممتزجة مع المواد المضافة في معالجات الخشب (الكرومات، المواد الحافظة للخشب). المواد التي تحتوي على الأسبستوس لا يجوز العمل عليها إلا بواسطة مختصين.

- وفر تهوية جيدة لمكان العمل.
- نوصي بإرتداء قناع تنفس زجاجي P2.

ينبغي مراعاة اللوائح ذات الصلة في بلدكم للمواد التي يتعين العمل عليها.

بدء التشغيل

ضبط نوع التشغيل

مع مفتاح إختيار الثقب بالطرق/الثقب (4)، يمكنك اختيار نوع التشغيل للأداة.

ملاحظة: لا تقم بتغيير نوع التشغيل إلا عندما تكون الآلة مطفأة! وإلا قد تتعرض الآلة للتلف. لتغيير نوع التشغيل، قم بإدارة مفتاح إختيار "الثقب بالطرق/الثقب" (4) إلى الوضعية المطلوبة.



وضعية الثقب بالطرق في الخرسانة أو الحجر



وضعية الثقب بلا دق على الخشب، المعادن، السيراميك والبلاستيك ولا سيما ريب وحل المسامير.

عكس اتجاه الدوران

شغل مفتاح اتجاه الدوران (5) فقط عندما تكون الآلة في وضعية الإستعداد.

يستخدم مفتاح اتجاه الدوران (5) لعكس اتجاه دوران الآلة. وعلى كل حال، لا يتسنى ذلك بينما يكون مفتاح تشغيل/إطفاء (6) مفعّل.

دوران لليمين: للثقب وربط وحل المسامير، ادفع مفتاح اتجاه الدوران (5) إلى اليسار حتى النهاية.

دوران للييسار: لحل وفك المسامير والبراغي، اضبط مفتاح اتجاه الدوران (5) إلى اليمين حتى النهاية.

التشغيل والإطفاء

لتشغيل الآلة، اضغط مفتاح On/Off تشغيل/إطفاء (6)، واستمر في الضغط.

لإطفاء الآلة، إرفع أصبعك عن مفتاح تشغيل/إطفاء (6).

عند درجات الحرارة المنخفضة، فإن الآلة تصل إلى سعتها الكاملة في الطرق/الدق فقط بعد مرور فترة زمنية معينة.

ملاحظة: من الممكن رؤية شرر من خلال فتحات غطاء المحرك أثناء التشغيل. الشرر يعتبر تفاعل طبيعي للمحرك أثناء استعماله ويحدث نتيجة لحركة العناصر داخل المحرك مع بعضها البعض، وهذا لا يؤثر على أداء الآلة، ومع ذلك نحن نوصي بعدم استخدام الآلة بالقرب من أي سوائل، غازات أو مخلفات قابلة للاشتعال.

ضبط معدل السرعة / الدق

يمكن تعديل معدل السرعة/الدق بنسب مختلفة على الآلة وهي في وضعية التشغيل، اعتماداً على مدى الضغط على مفتاح تشغيل/ إطفاء (6).
الضغط الخفيف على مفتاح تشغيل/ إطفاء (6) يؤدي إلى معدل سرعة/دق منخفض. والمزيد من الضغط على المفتاح يؤدي إلى زيادة معدل السرعة/الدق.

الحماية من الحمل الزائد الذي يعتمد على درجة الحرارة

عند استخدام الآلة على النحو المنشود، فلا يمكن أن تتعرض إلى الحمل الزائد. عندما يكون الحمل عال جداً أو أن درجة حرارة البطارية المسموح بها 70 درجة مئوية قد تم تجاوزها، فإن التحكم الإلكتروني يقوم بإطفاء الآلة حتى تعود درجة الحرارة إلى النطاق المثالي مرة أخرى.

نصائح للعمل

لا تضع الآلة على المسمار/البرغي إلا عندما تكون مطفاةً. قد تنزلق الآلة عند إدراجها أثناء الدوران.

الصيانة والتنظيف

قبل البدء في أي عمل على الآلة (مثل الصيانة، تغيير الأداة وغيرها) ولا سيما ناء النقل والتخزين، اجعل وضعية مفتاح اتجاه الدوران في المنتصف. التشغيل الغير مقصود لمفتاح التحكم يؤدي إلى وقوع اصابات.

للعمل بشكل آمن وسليم، حافظ دائماً على نظافة الآلة وفتحات التهوية.

تعليمات التخلص البيئية

ساعد في المحافظة على البيئة

معلومات (للمستخدمين بالمنزل) حول الطريقة المحافظة للبيئة للتخلص من المعدات الكهربائية والإلكترونية وفقاً للتشريع الذي صدر عن الاتحاد الأوروبي (WEEE directive) الذي يعنى بتنظيم عملية جمع المخلفات الإلكترونية والكهربائية وتدويرها.



هذه العلامة الموجودة على المنتجات الكهربائية والإلكترونية والنشرات المرفقة معها تدل على أن هذه المنتجات لا ينبغي التخلص منها بوضعها في مرمى النفايات المنزلية العادية. ولكن يجب أخذ المنتجات إلى نقاط تجميع مخصصة لذلك، حيث سيتم استلامها مجاناً للتخلص منها، معالجتها، استخلاصها وتدويرها بطريق سليمة. في بعض الدول، يمكنك أيضاً إعادة المنتجات إلى محل شرائها عند رغبتك في شراء منتج جديد مماثل لها. التخلص من هذا المنتج بطريقة سليمة سيساعد في حفظ موارد طبيعية قيمة ويقى من حدوث أي تأثيرات سلبية محتملة تضر بالصحة والبيئة والتي قد تنشأ نتيجة عدم التخلص أو المناولة السليمة للمنتج. فضلاً اتصل بالجهات المختصة في منطقتك لمزيد من المعلومات حول أقرب نقطة تجميع مخصصة لذلك. قد تطبق شروط جزاء نتيجة للتخلص الغير سليم من هذا المنتج ويعتمد ذلك على القوانين المحلية.

التخلص من البطاريات التالفة أو المستهلكة

لا يجب التخلص من البطاريات التالفة بوضعها في مرمى النفايات المنزلية العادية أو بحرقها أو رميها في الماء. فوفقاً للقانون، يجب أخذ البطاريات التالفة والمنتبهة إلى أقرب نقطة تجميع للبطاريات أو إلى شركة متخصصة في مخلفات البطاريات. عدم الالتزام بهذه القوانين قد يفرض عليك غرامة أو شروط جزائية أخرى.

معلومات للمستخدمين في شركات خارج دول المجموعة الأوروبية حول طريقة التخلص السليمة



هذا الرمز يطبق فقط ضمن المجموعة الأوروبية. فضلاً اتصل بالجهات المختصة في بلدك للحصول على معلومات حول الطريقة السليمة للتخلص من هذا المنتج.

