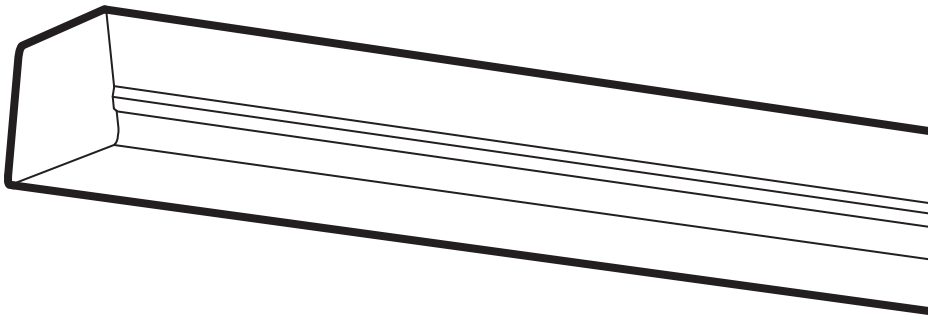
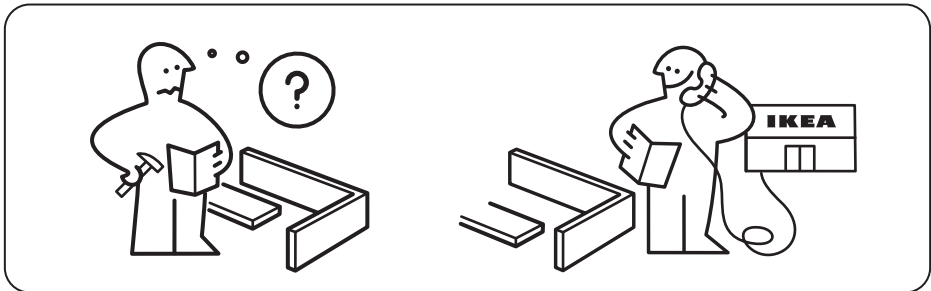
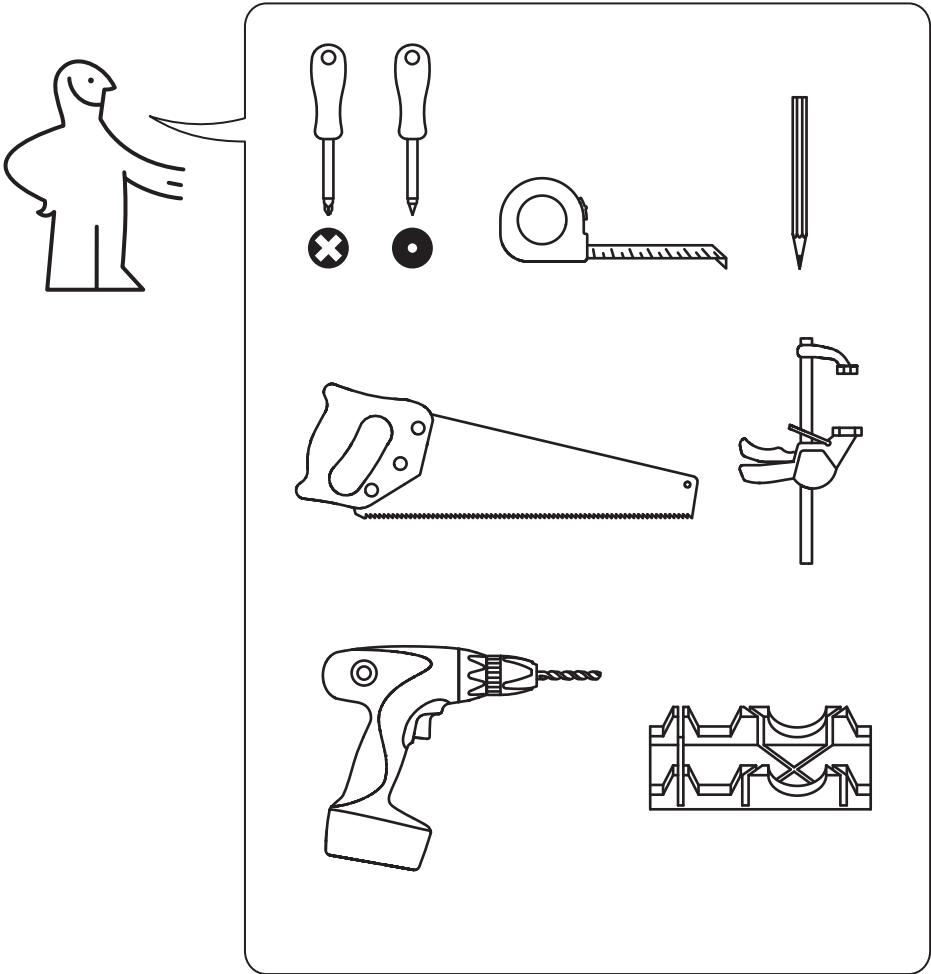


STENSUND



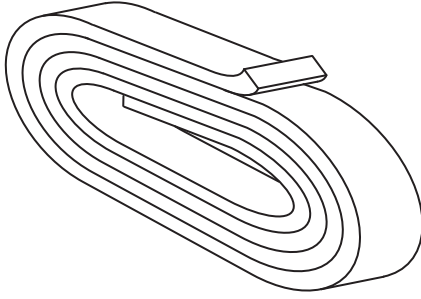
Design and Quality
IKEA of Sweden





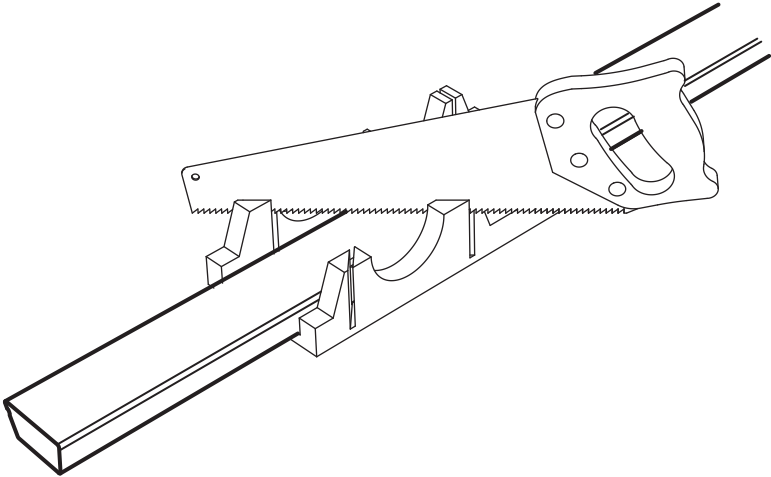
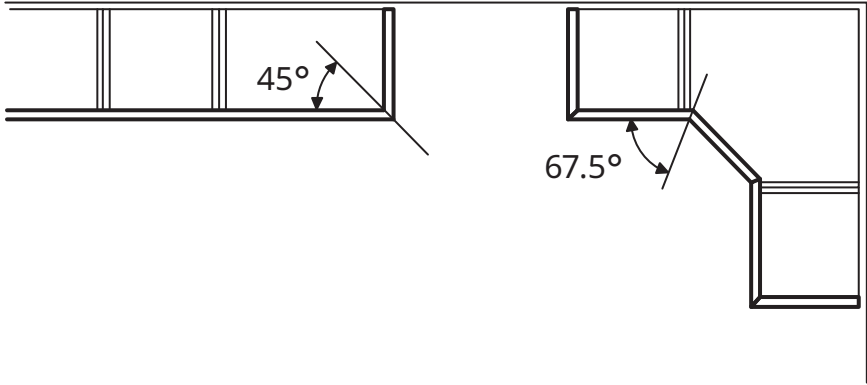
109537

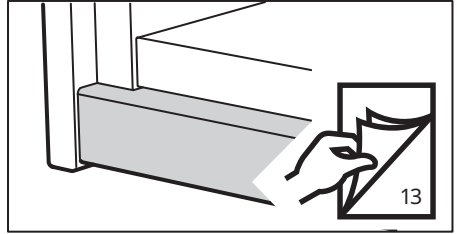
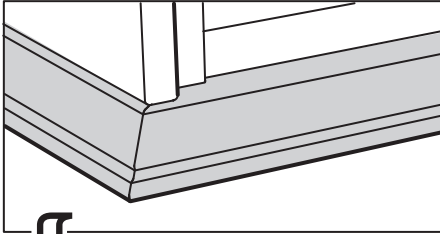
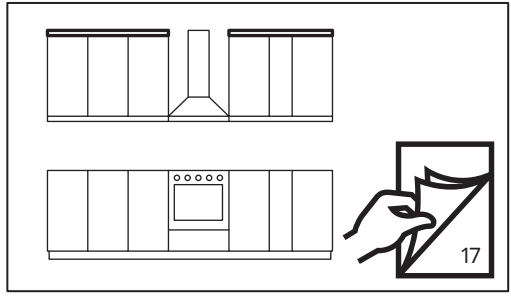
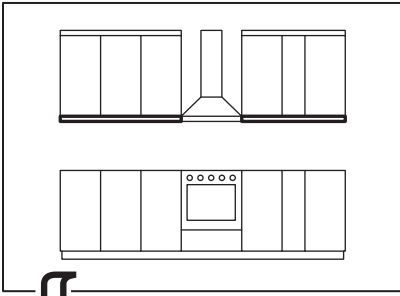
8x



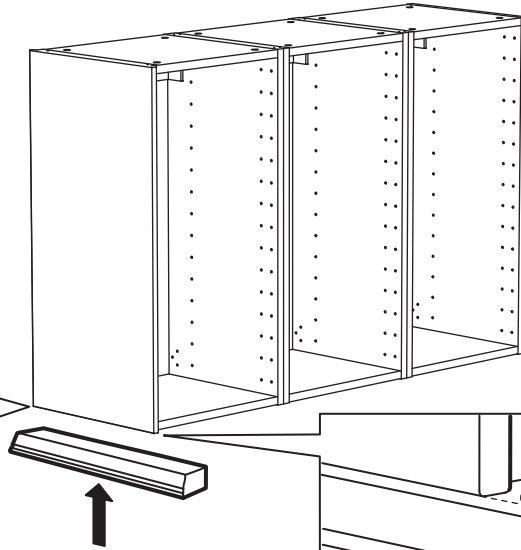
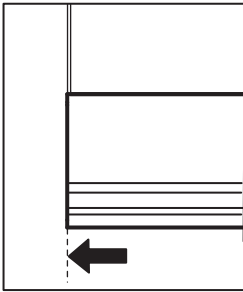
102437

2x

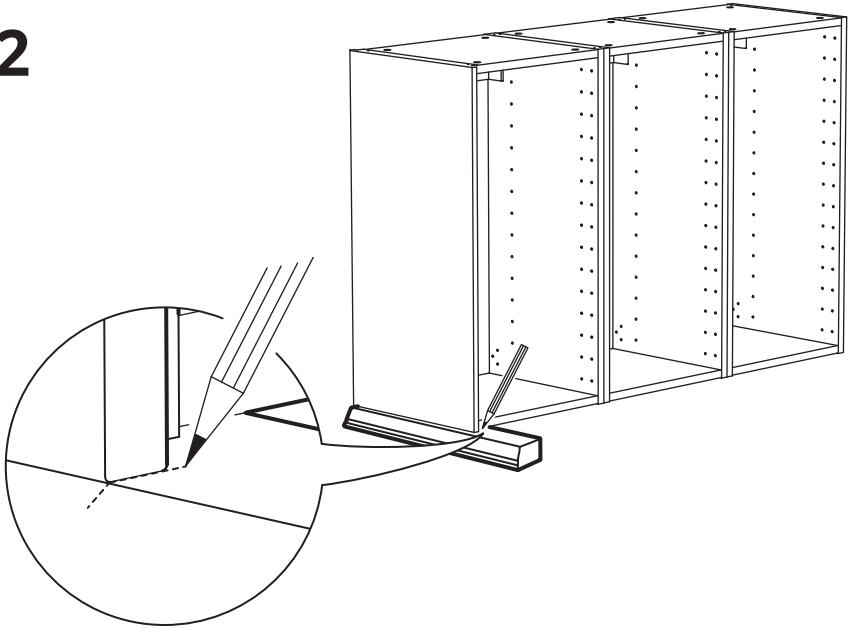




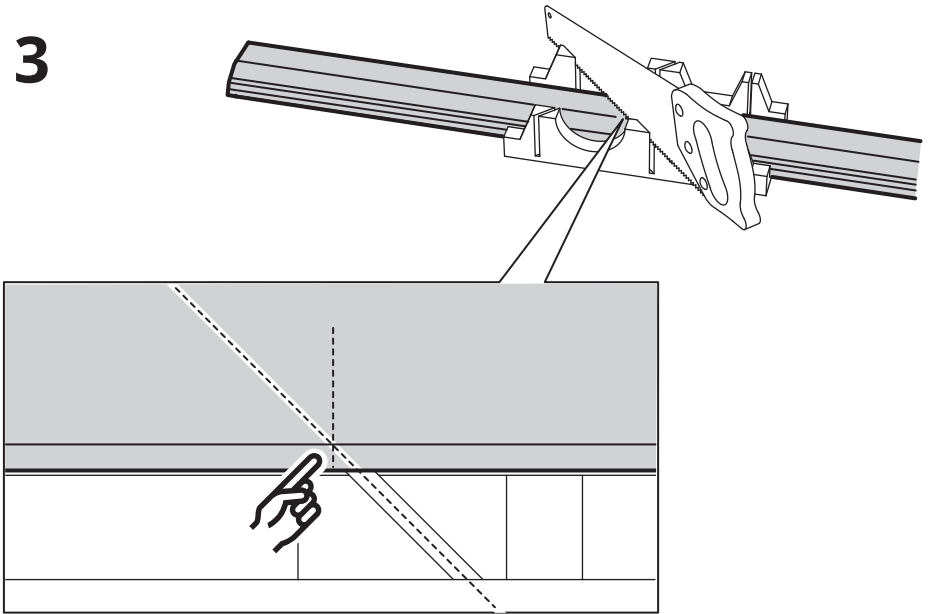
1



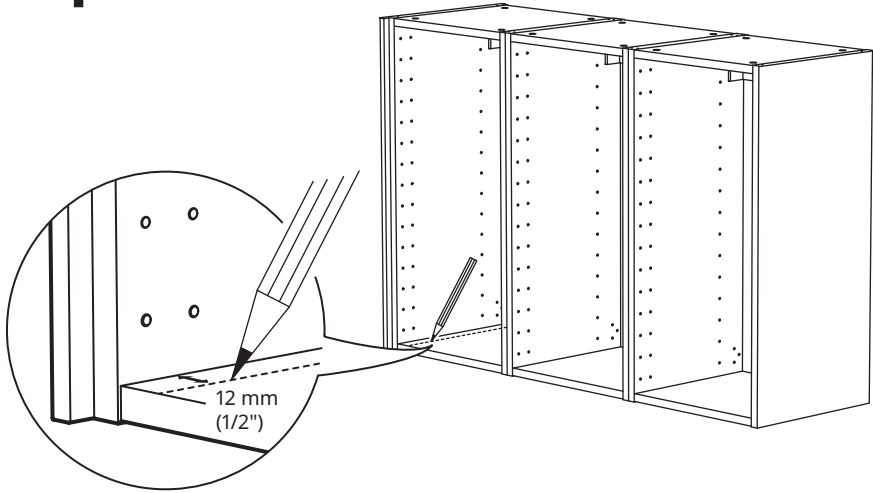
2



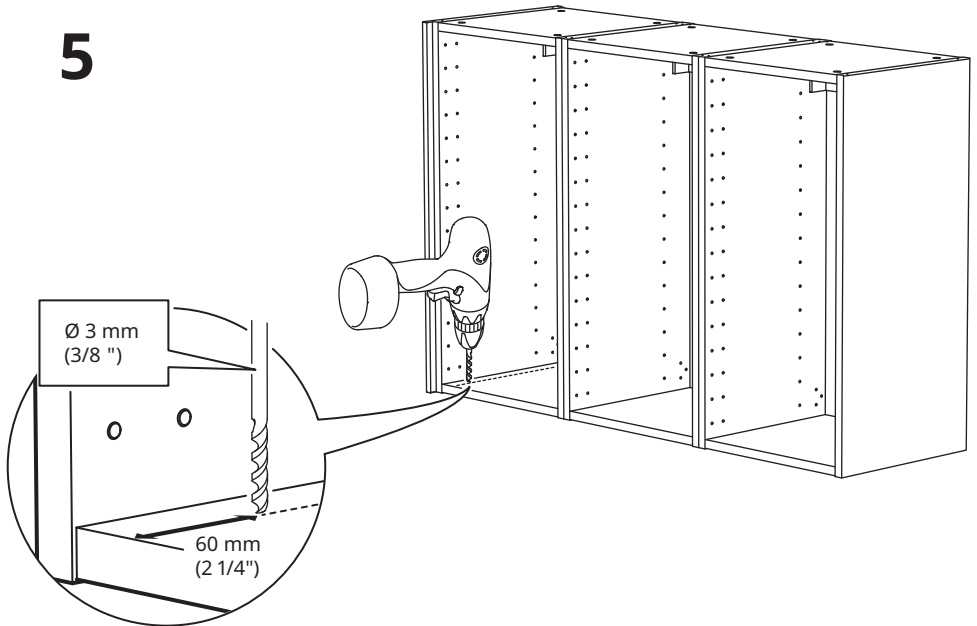
3

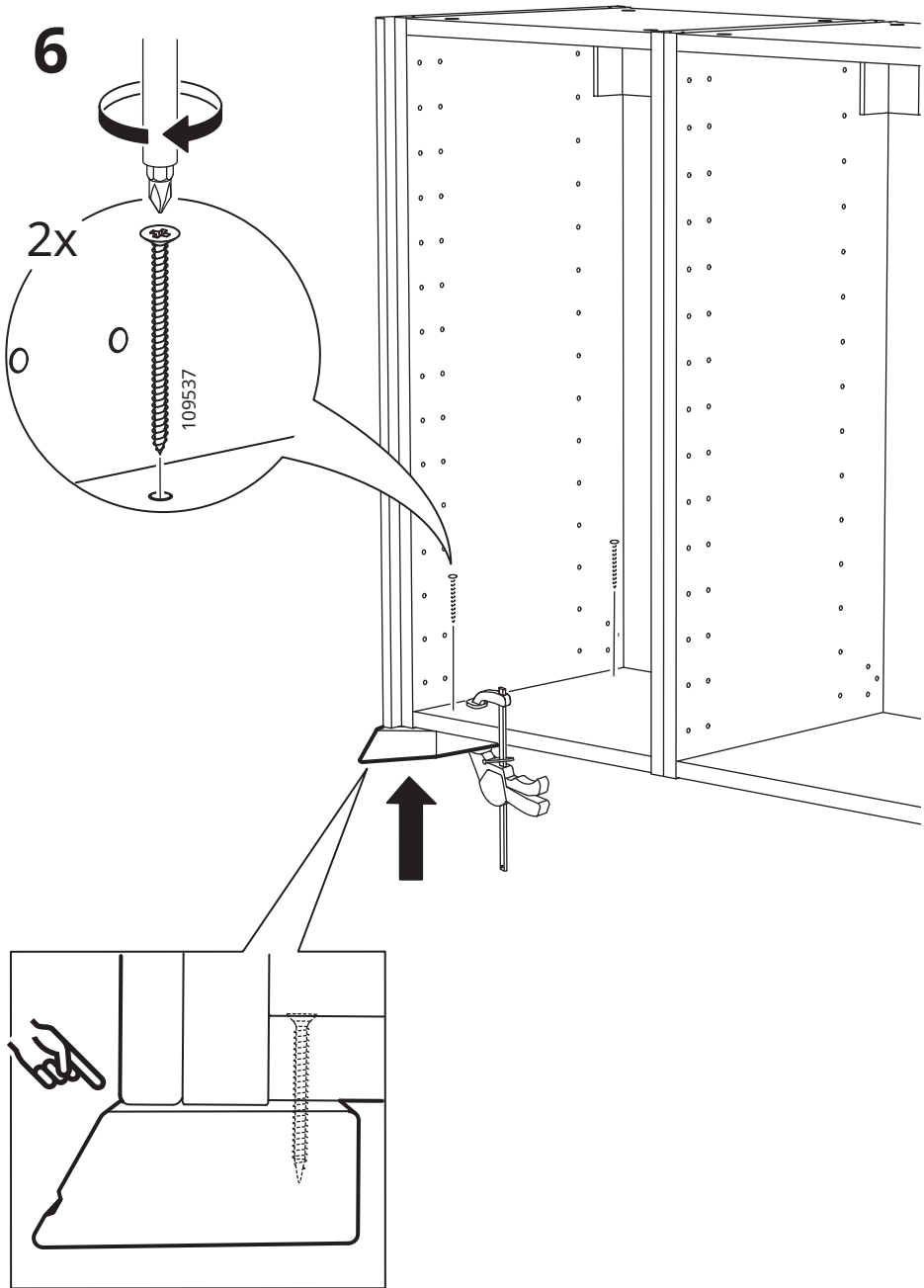


4

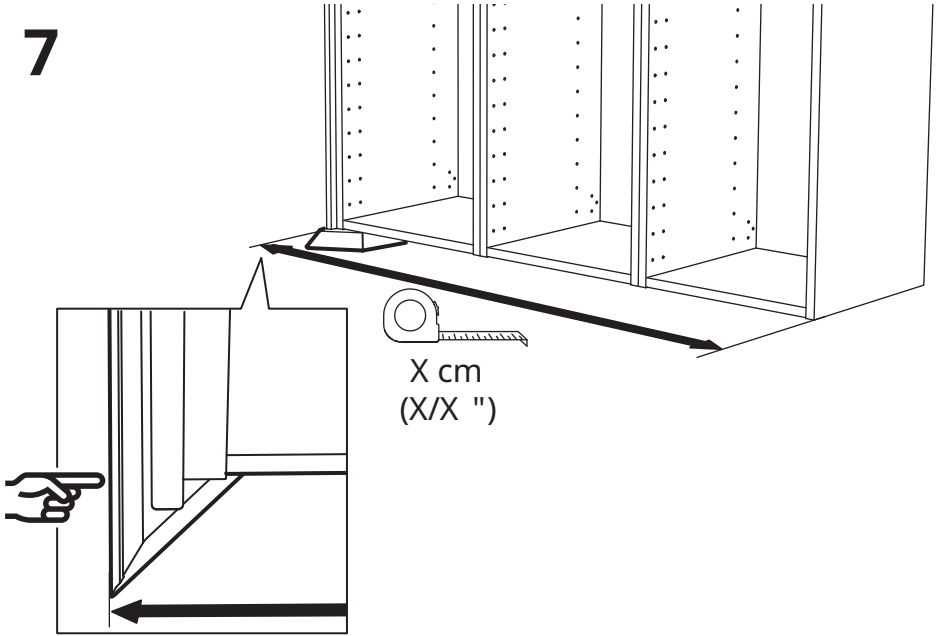


5

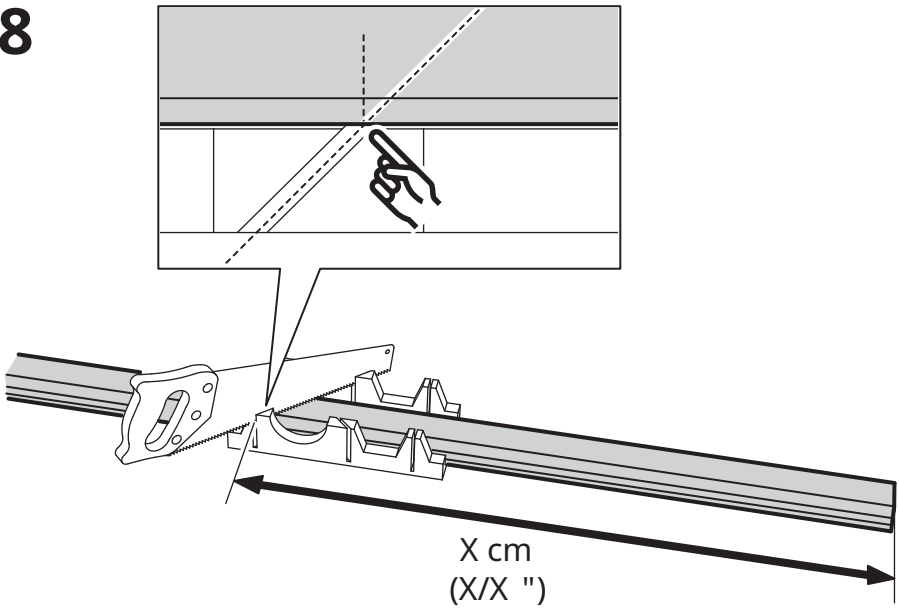




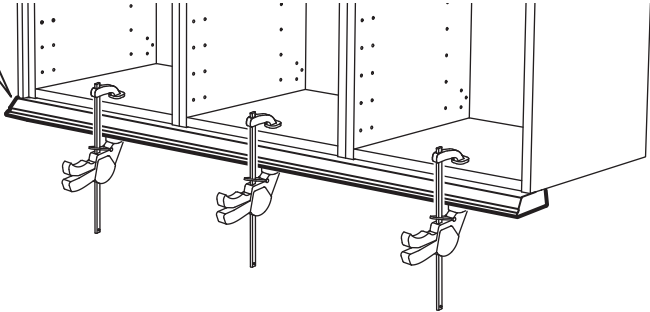
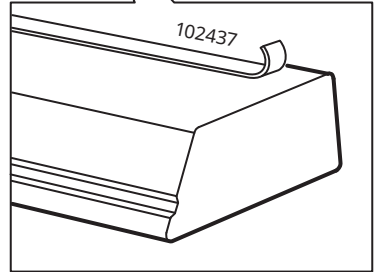
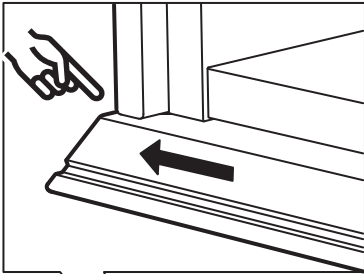
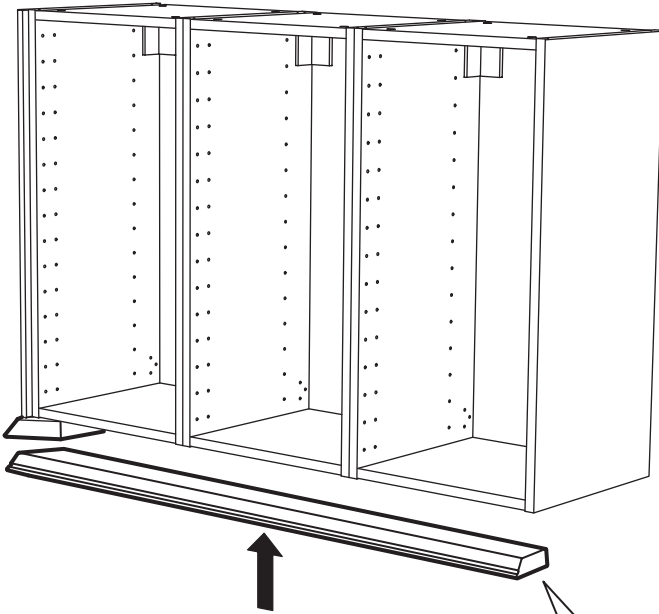
7



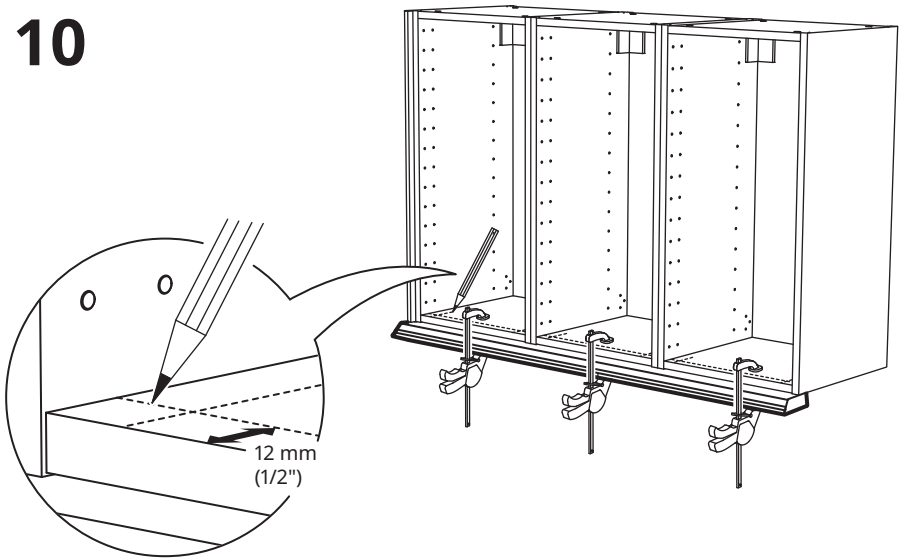
8



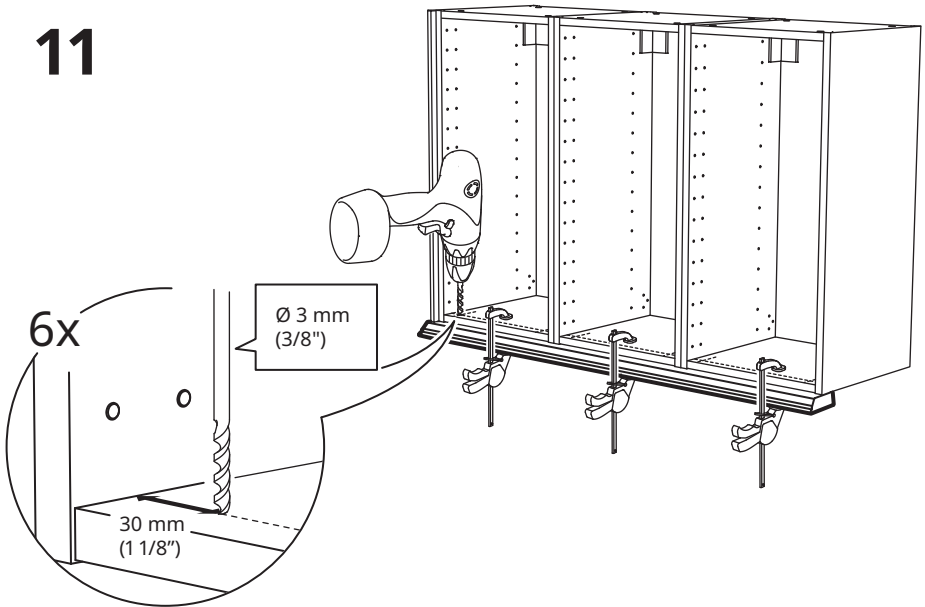
9



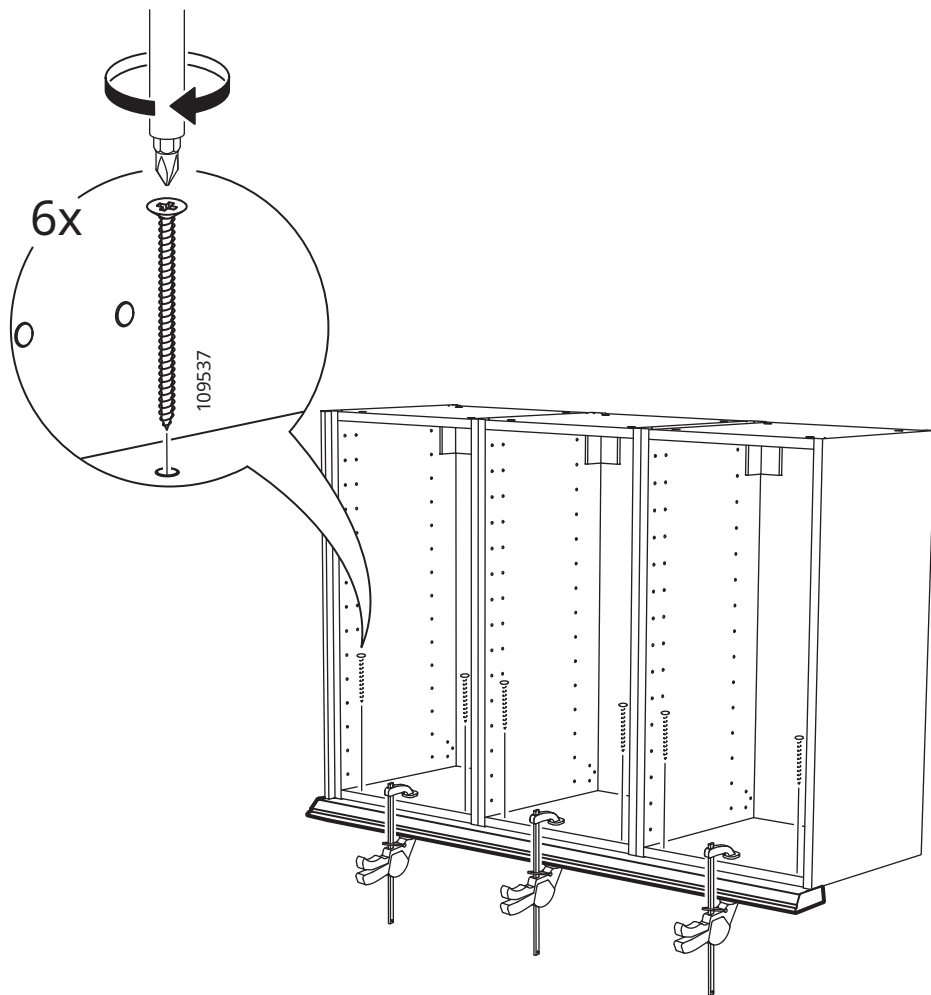
10

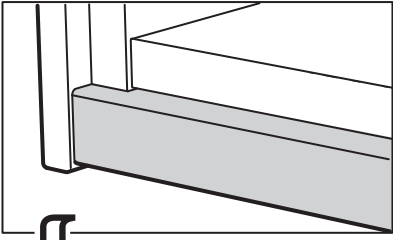


11

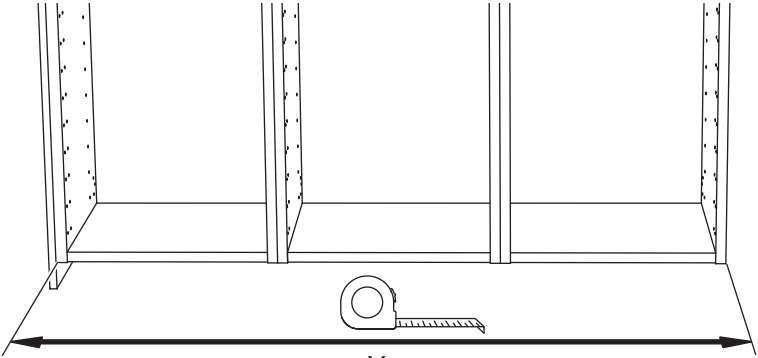


12



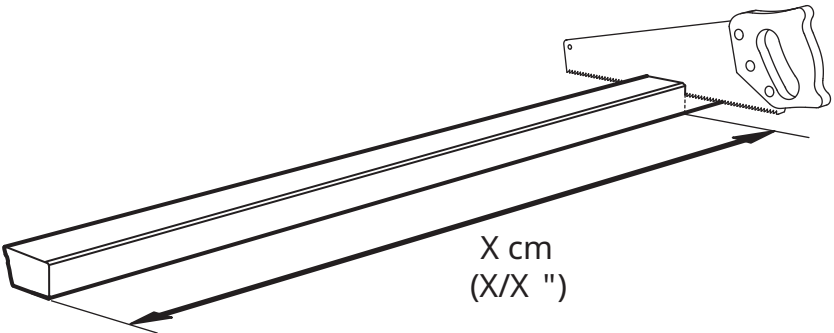


1



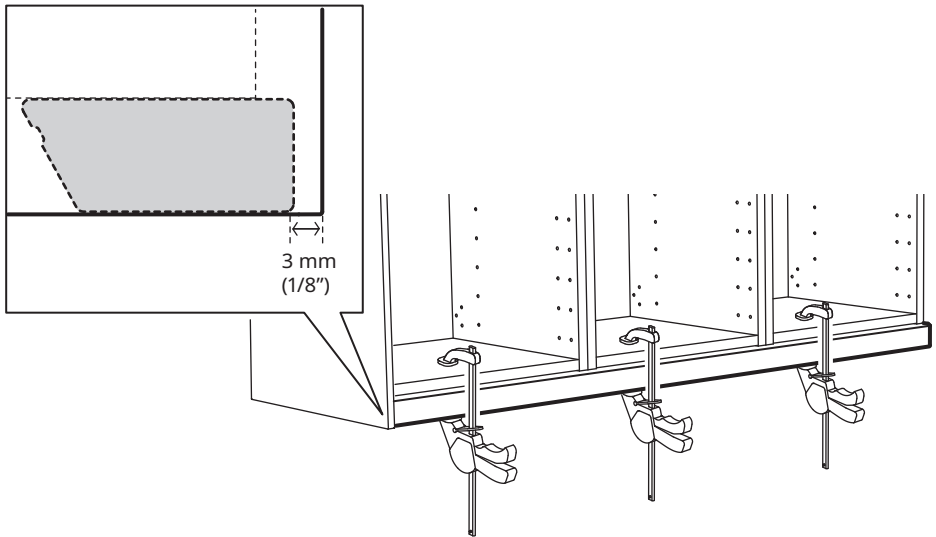
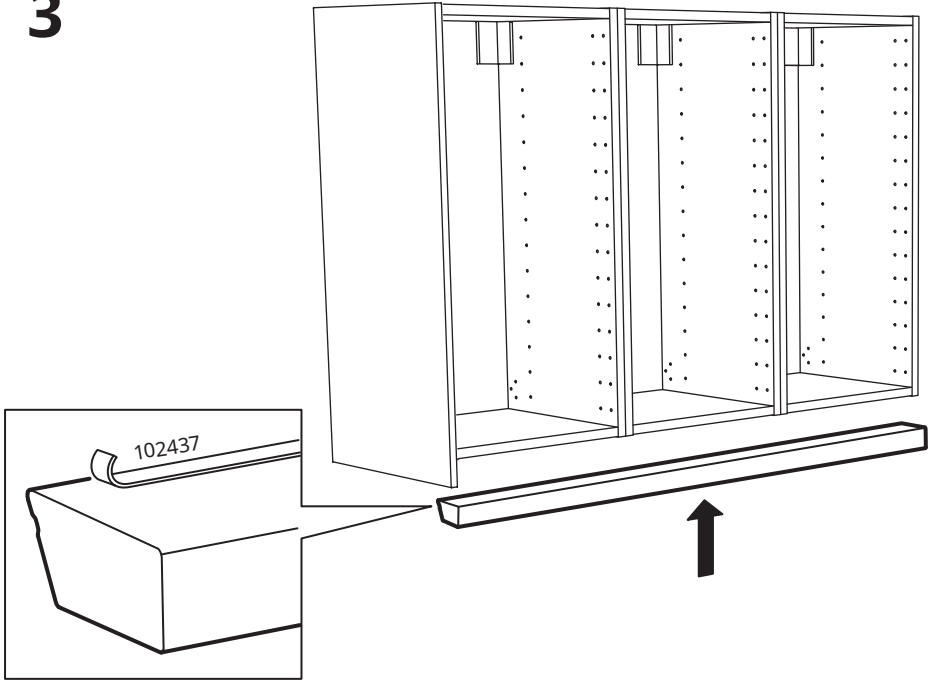
X cm
(X/X ")

2

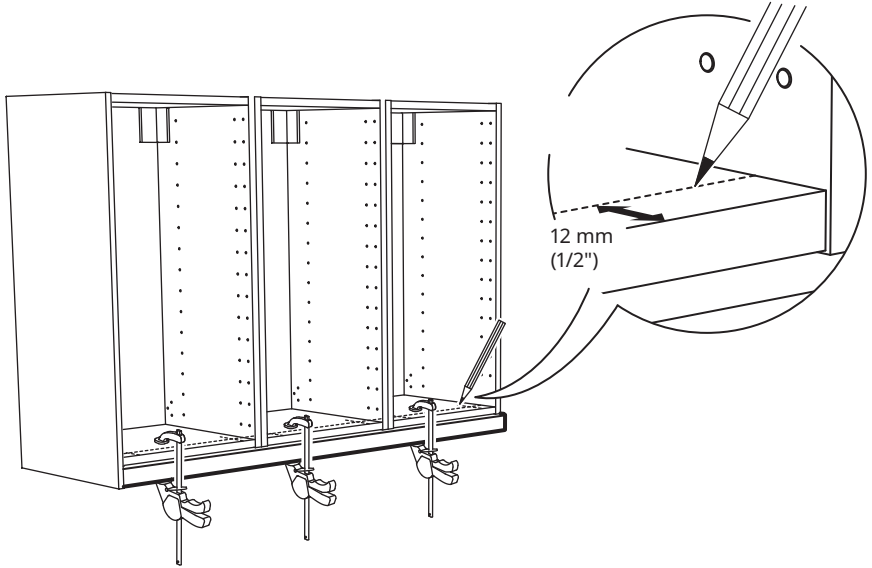


X cm
(X/X ")

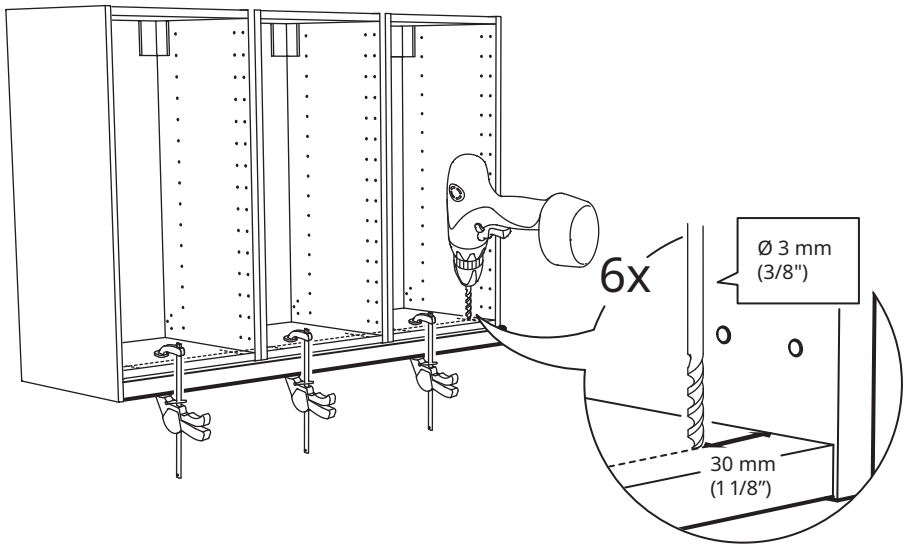
3



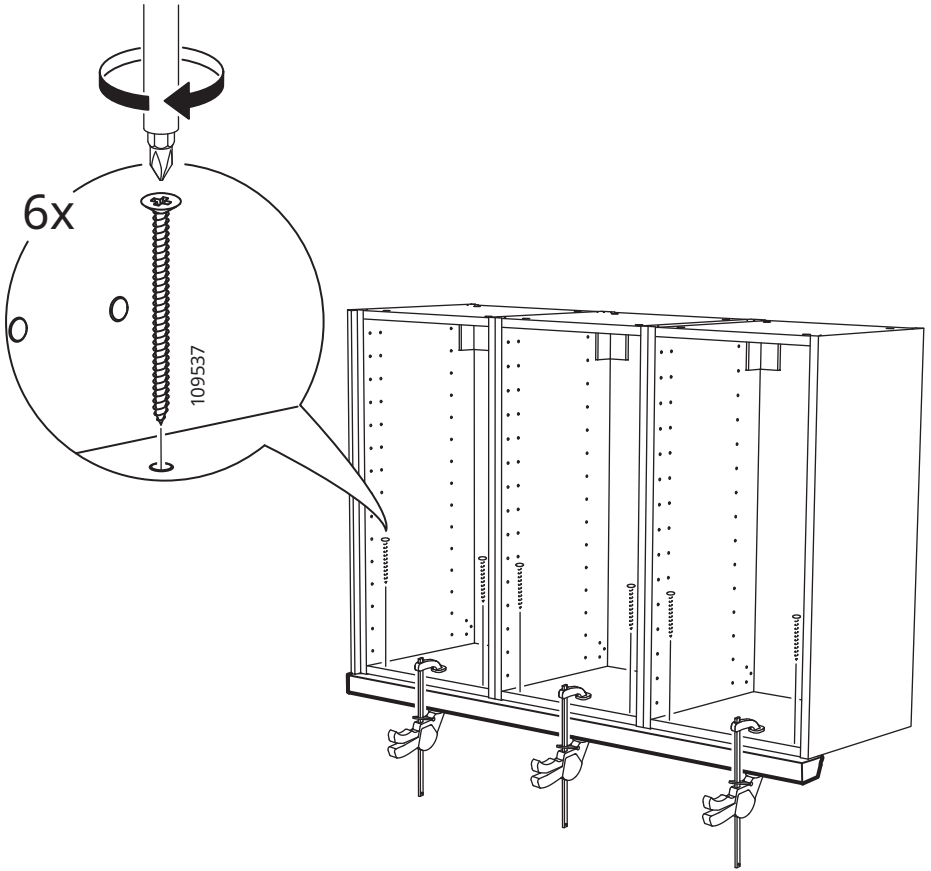
4

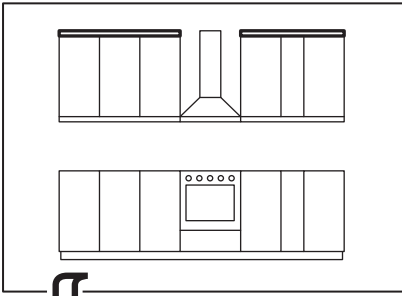


5

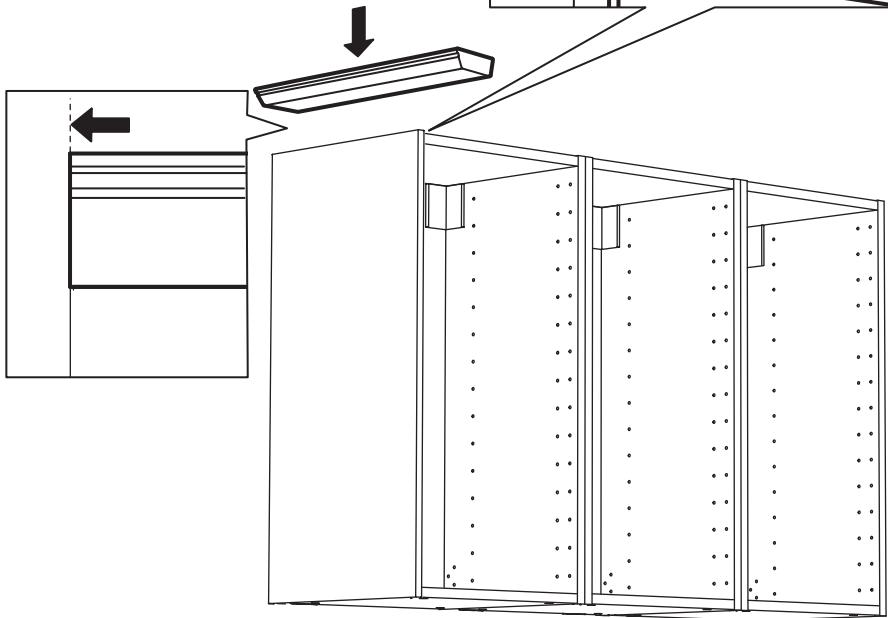
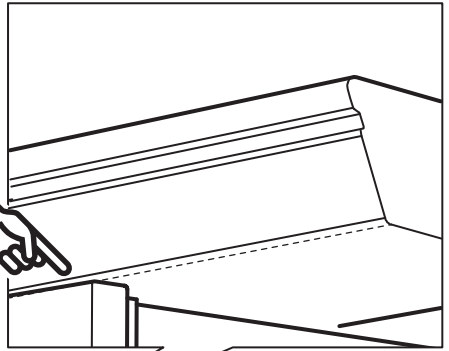


6

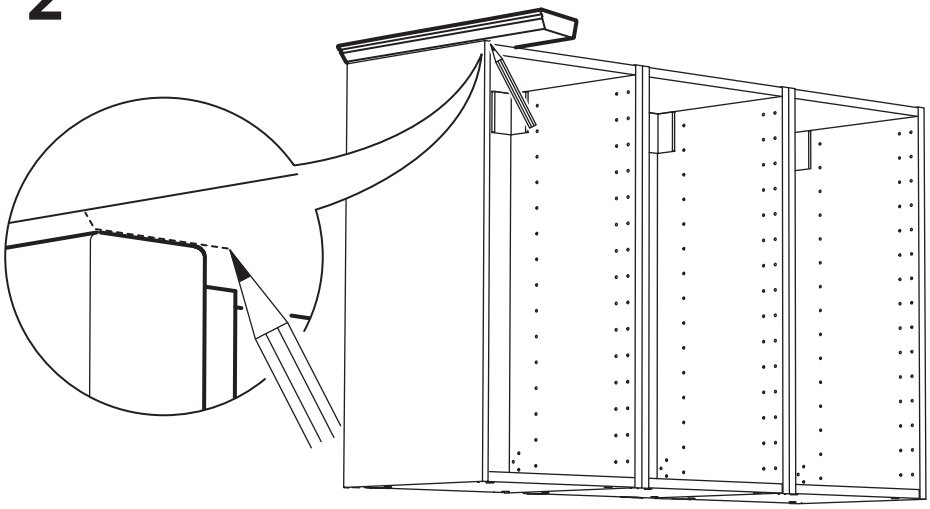




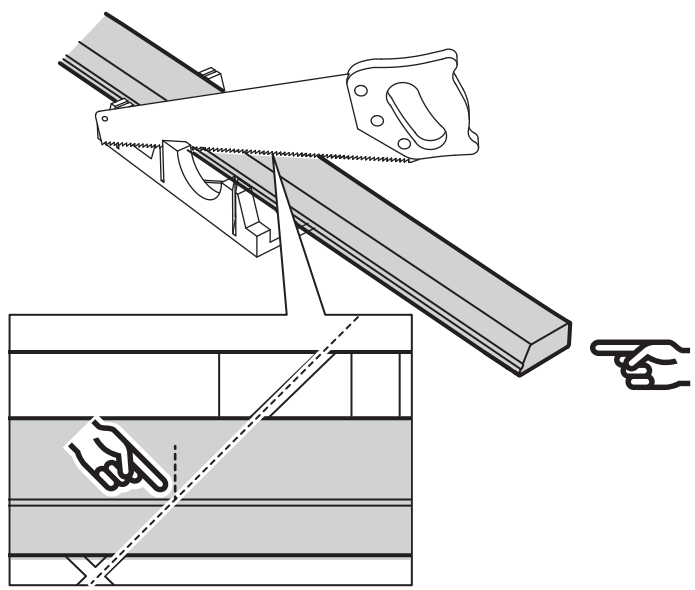
1



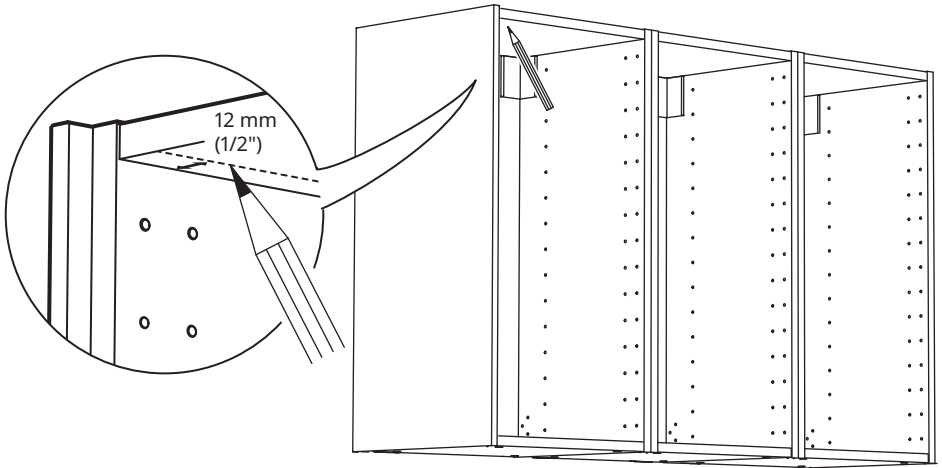
2



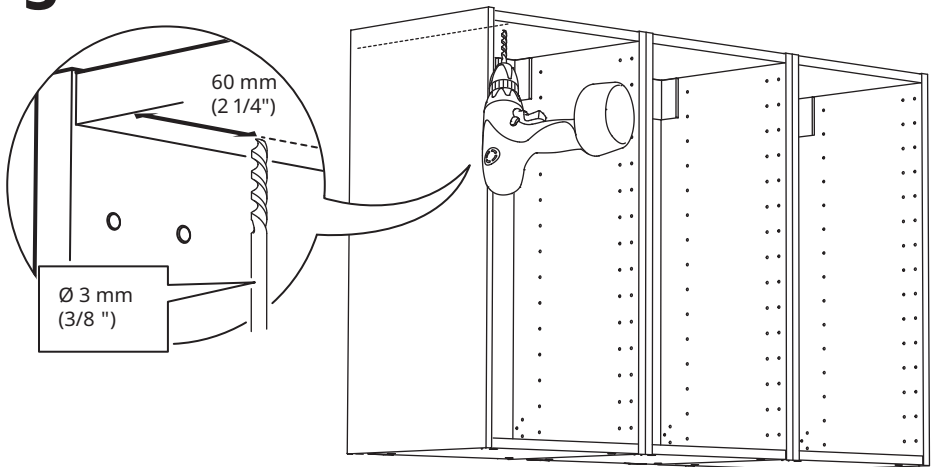
3



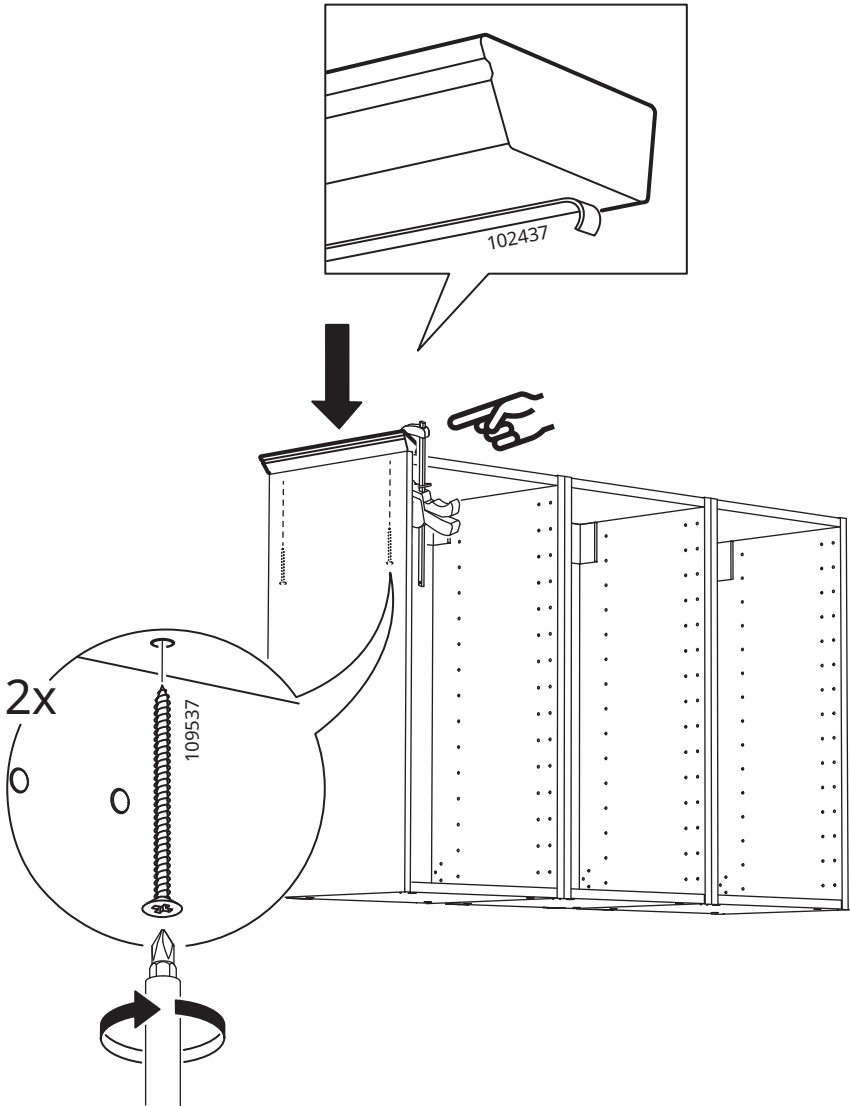
4



5

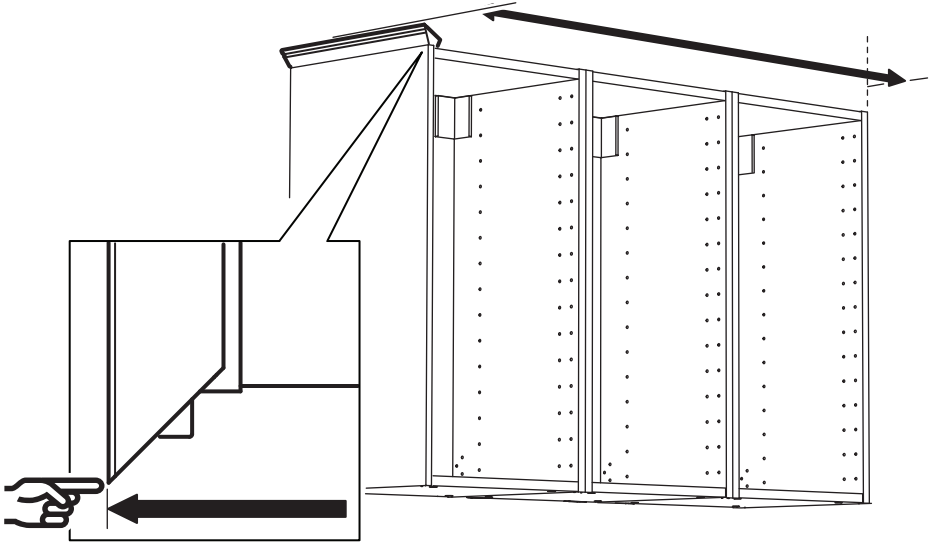
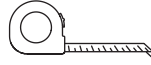


6

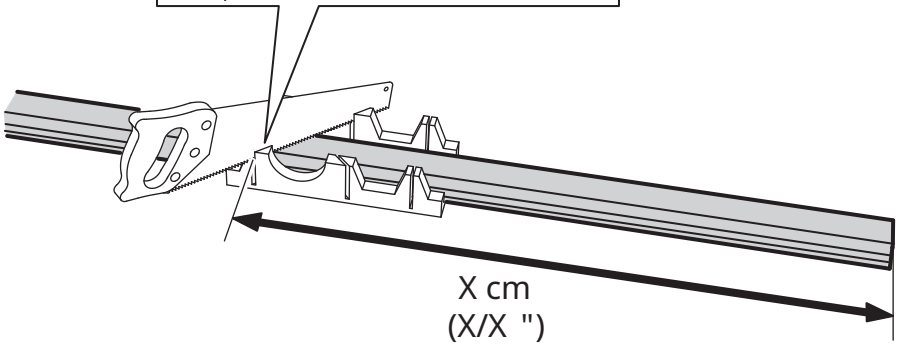
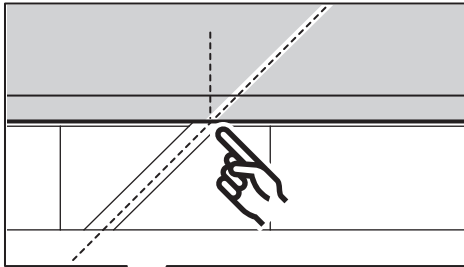


7

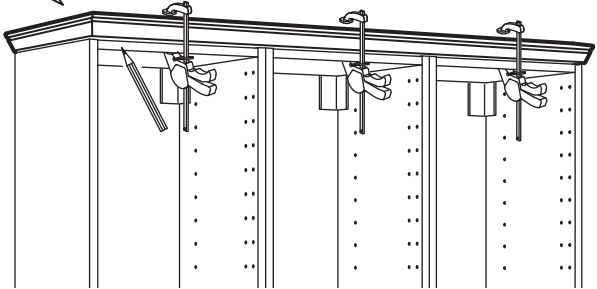
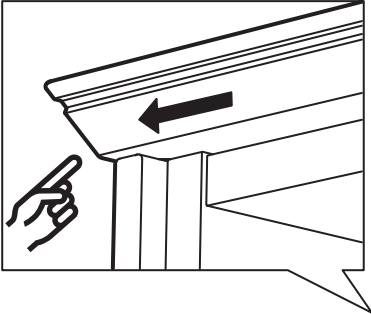
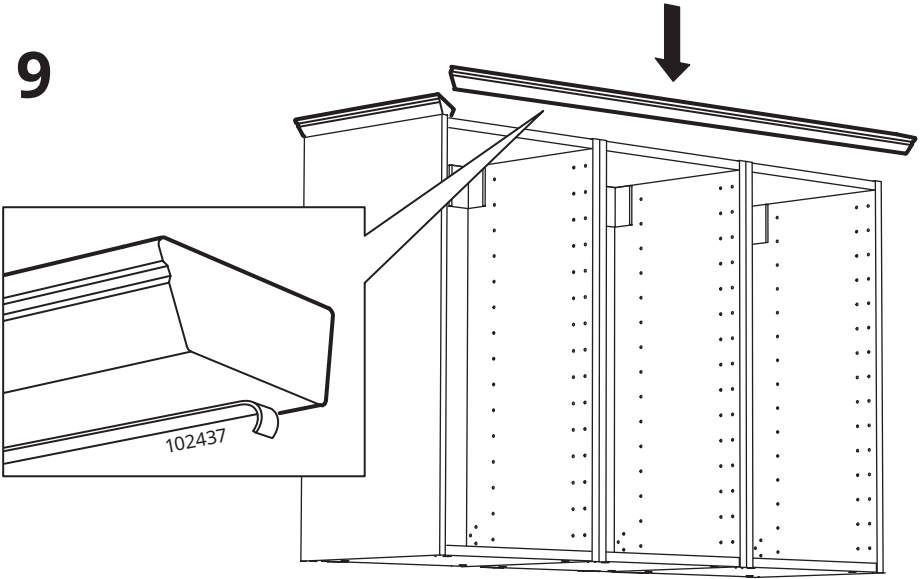
X cm
(X / X")



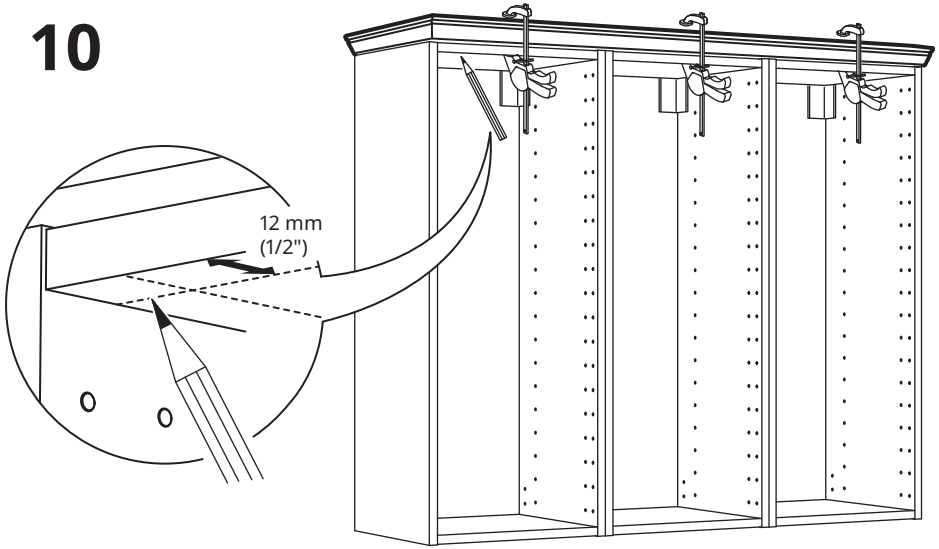
8



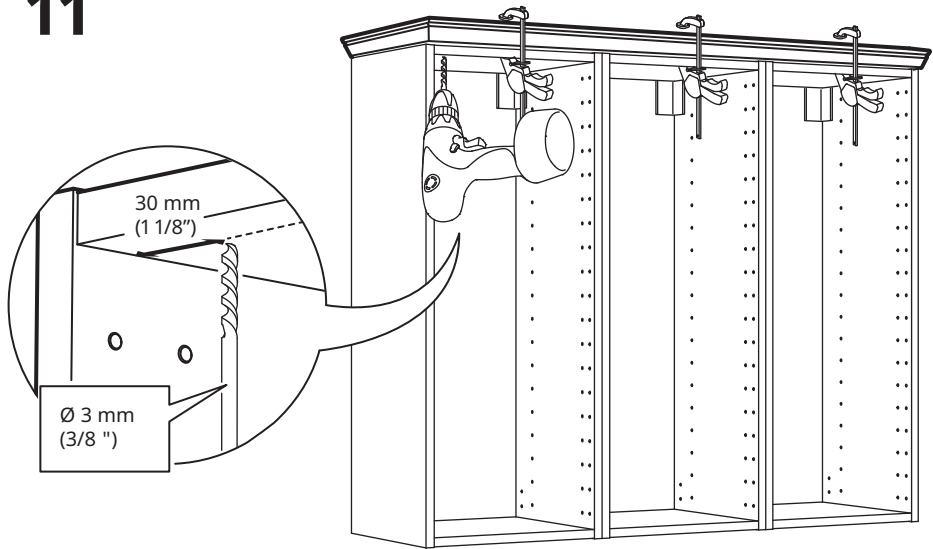
9



10



11



12

