

ÖVERNÄS

en

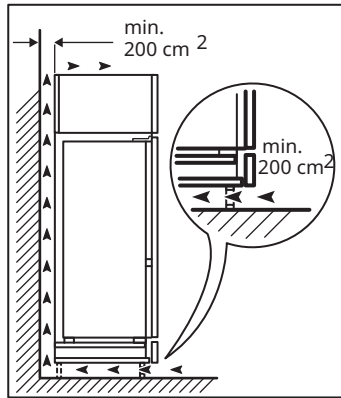
zh



Design and Quality
IKEA of Sweden

ENGLISH
中文

5
21



www.ikea.com



Table of contents

Safety information	5	Cleaning and maintenance	14
Safety instructions	7	Troubleshooting	15
Product description	9	Technical data	16
First use	9	Food contact materials of the product	17
Operation	10	Hazardous substances in the product	18
Daily use	12	Environmental requirements	18
Hints and tips	13	IKEA Guarantee	19

Safety information

Before the installation and use of the appliance, carefully read the supplied instructions. The manufacturer is not responsible if an incorrect installation or use causes injuries or damages. Always keep the instructions with the appliance for future reference.

- This appliance is intended to be used in household and similar applications such as:
 - staff kitchen areas in shops, offices and other working environments;
 - farm houses and by clients in hotels, motels and other residential type environments;
 - bed and breakfast type environments;
 - catering and similar non-retail applications.



WARNING! Risk of fire / Flammable materials
The appliance contains flammable gas, isobutane (R600a), a natural gas with a high level of environmental compatibility.

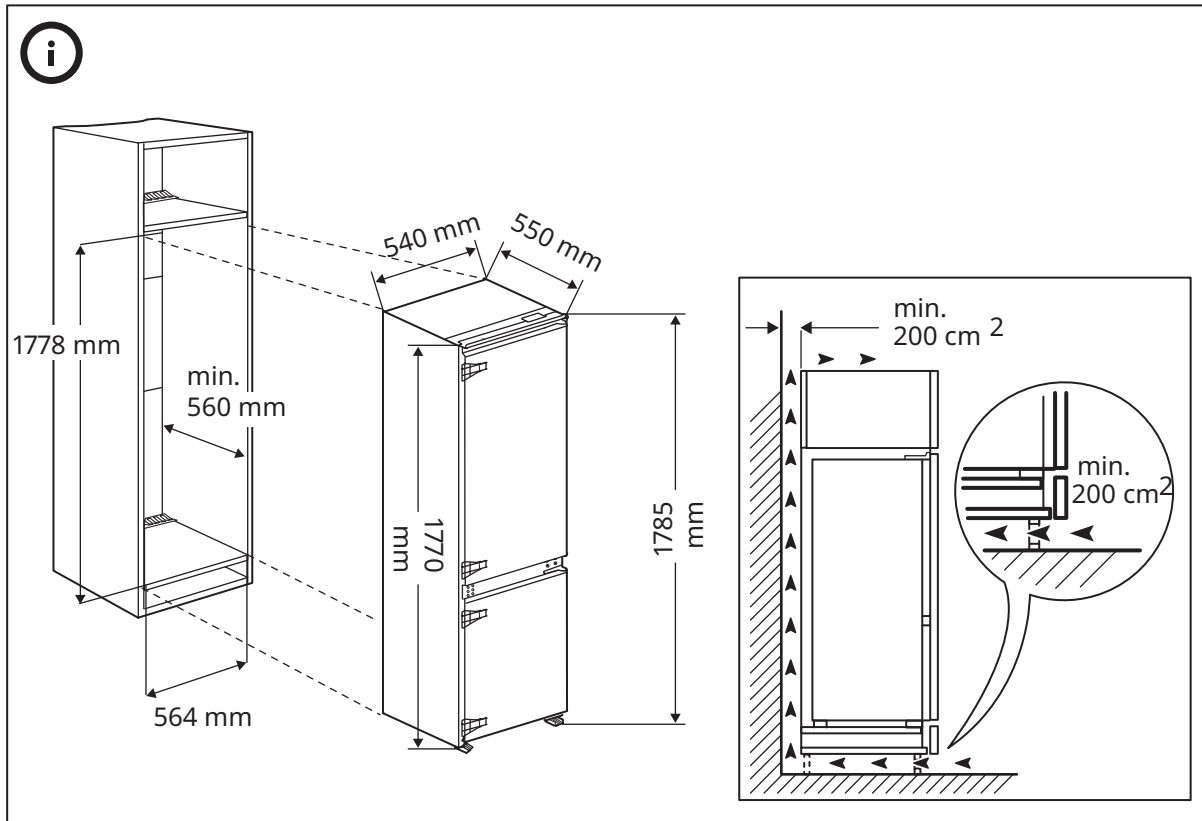
Be careful not to cause damage to the refrigerant circuit containing isobutane.

- Follow the installation instructions to install the appliance.
- Follow the cleaning and maintenance instructions to clean and maintain the appliance.
- Follow the instructions on the packaging to transport the appliance.
- This appliance uses flammable foaming materials containing cyclopentane. The discarded refrigerator should be isolated from fire sources and cannot be burned.

Please transfer the refrigerator to a qualified professional recycling company for processing to prevent causing harm to the environment.

- Disconnect the appliance from the power supply before installation and maintenance.
- This appliance is not intended for use by persons (including children) with reduced physical, sensory or mental capabilities, or lack of experience and knowledge, unless they have been given supervision or instruction concerning use of the appliance by a person responsible for their safety.
- Do not let children play with the appliance.
- **WARNING:** Keep ventilation openings, in the appliance enclosure or in the built-in structure, clear of obstruction.
- **WARNING:** Do not use mechanical devices or other means to accelerate the defrosting process, other than those recommended by the manufacturer.
- **WARNING:** Do not damage the refrigerant circuit.
- **WARNING:** Do not use electrical appliances inside the food storage compartments of the appliance, unless they are of the type recommended by the manufacturer.
- Do not store explosive substances such as aerosol cans with a flammable propellant in this appliance.
- **WARNING:** When positioning the appliance, ensure the supply cord is not trapped or damaged.

- **WARNING:** Do not locate multiple portable socket-outlets or portable power supplies at the rear of the appliance.
- If the LED lamp is damaged, it must be replaced by the manufacturer, its service agent or similarly qualified persons in order to avoid a hazard.
- **WARNING:** To avoid a hazard due to instability of the appliance, it must be fixed in accordance with the instructions.
- If the supply cord is damaged, it must be replaced by the manufacturer, its service agent or similarly qualified persons in order to avoid a hazard.



- During use, fully insert the power plug of the appliance into the power outlet and ensure good contact between the plug and the outlet.
- Do not use extension cords.
- If the appliance exhibits unusual noises, odours, abnormally high temperatures, or malfunctions, immediately stop using it, switch it off, and disconnect the power supply.
- If the appliance contains flammable refrigerants, if any abnormality occurs, before switching it off, provide natural ventilation to prevent the accumulation of flammable refrigerants.
- Do not power the appliance by connecting it to a lamp holder with a socket.
- This appliance should not be used near flammable or explosive materials or in similar environments.
- Users should not disassemble the appliance or alter its internal wiring, components, or protective devices.
- Do not apply tension to the power cord when removing the power plug from the outlet.
- Users should not replace fuses in the appliance or power supply with normal conductors or fuses of higher ratings.
- Users should not alter the settings of a low-voltage circuit breaker or residual-current device.

Safety instructions

- Children shall not carry out cleaning and user maintenance of the appliance without supervision.
- Keep all packaging away from children and dispose of it appropriately.
- Do not use water spray and steam to clean the appliance.
- Clean the appliance with a moist soft cloth. Only use neutral detergents. Do not use abrasive products, abrasive cleaning pads, solvents or metal objects.
- Opening the door for long periods can cause a significant increase of the temperature in the compartments of the appliance.
- Clean regularly surfaces that can come in contact with food and accessible drainage systems.
- Store raw meat and fish in suitable containers in the refrigerator, so that it is not in contact with or drip onto other food.
- If the refrigerating appliance is left empty for long periods, switch off, defrost, clean, dry, and leave the door open to prevent mould developing within the appliance.
- Two-star frozen-food compartments are suitable for storing pre-frozen food, storing or making ice-cream and making ice cubes.
- One-, two- and three-star compartments are not suitable for the freezing of fresh food.
- Light source in this product is replaceable only by qualified engineers.

Installation

- ⚠ **WARNING!** Only a qualified person can install this appliance.
- Remove all the packaging.
- Do not install or use a damaged appliance.
- Follow the installation instructions supplied with the appliance.
- Always take care when moving the appliance as it is heavy. Always use safety gloves and enclosed footwear.
- Be careful not to damage the floors (e.g. parquet) when moving the appliance.
- Make sure the appliance is not near a heat source.
- Install and level the appliance on a floor strong enough to take its weight and in a place suitable for its size and use.
- Make sure the air can circulate around the appliance.
- At first installation or after reversing the door wait at least 4 hours before connecting the appliance to the power supply. This is to allow the oil to flow back into the compressor.
- Before carrying out any operations on the appliance (e.g. reversing the door), remove the plug from the power socket.

- The rear of the appliance must stand against the wall.
- Do not install the appliance where there is direct sunlight.
- Do not install this appliance in areas that are too humid or too cold such as wine cellars.

Electrical connection

- ⚠ **WARNING!** Risk of fire and electrical shock.
- ⚠ **WARNING!** When positioning the appliance, ensure the supply cord is not trapped or damaged.
- ⚠ **WARNING!** Do not use multi-plug adapters or extension cables.
 - The appliance must be earthed.
 - Make sure that the parameters on the rating plate are compatible with the electrical ratings of the mains power supply.
 - Always use a correctly installed shockproof socket.
 - Make sure not to cause damage to the electrical components (e.g. mains plug, mains cable, compressor). Contact an Authorised Service Centre or an electrician to change the electrical components.
 - The mains cable must stay below the level of the mains plug.
 - Connect the mains plug to the mains socket only at the end of the installation. Make sure that there is access to the mains plug after the installation.
 - Do not pull the mains cable to disconnect the appliance. Always pull the mains plug.

Use

- ⚠ **WARNING!** Risk of injury, burns, electrical shock or fire.
 - The surface of the compressor may become hot under normal operation. Do not touch it with hands.
 - Do not change the specifications of this appliance.
 - Do not put electrical appliances (e.g. ice cream makers) in the appliance unless they are stated applicable by the manufacturer.
 - If damage occurs to the refrigerant circuit, make sure that there are no flames and sources of ignition in the room. Ventilate the room.
 - Do not let hot items touch the plastic parts of the appliance.
 - Do not store soft drinks in the freezer compartment to prevent burst or other losses.
 - Do not store flammable gases or liquids in the appliance.

- Do not put flammable products or items that are wet with flammable products in, near or on the appliance.
- Do not touch the compressor or the condenser. They are hot.
- Do not remove or touch items from the frozen-food compartment if your hands are wet or damp.
- Do not swallow the contents (non-toxic) of the ice packs.
- Do not eat ice cubes or ice lollies immediately after taking them out of the freezer since they may cause cold burns.
- Do not freeze again food that has been thawed.
- Follow the storage instructions on the packaging of frozen food.
- If the appliance operates outside the rated climatic type environmental temperature range, it may not maintain a satisfactory internal temperature.
- Frozen foods must not come into direct contact with other stored foods inside the appliance. If daily freezing of foods is required, the quantity of frozen foods should be limited.
- During manual defrosting, maintenance, or cleaning, the temperature rise of frozen foods may shorten their storage life.

Internal lighting

⚠ WARNING! Risk of electric shock.

- The bulb used inside the appliance is specifically designed for domestic appliances and is not suitable for general room lighting within the home.

Care and cleaning

⚠ WARNING! Risk of injury or damage to the appliance.

- Before maintenance, deactivate the appliance and disconnect the mains plug from the mains socket.
- This appliance contains hydrocarbons in the cooling unit. Only a qualified person can do the maintenance and the recharging of the unit.
- Regularly examine the drain of the appliance and if necessary, clean it. If the drain is blocked, defrosted water collects at the bottom of the appliance.

Service

- To repair the appliance contact an Authorised Service Centre.
- Use original spare parts only.

Disposal

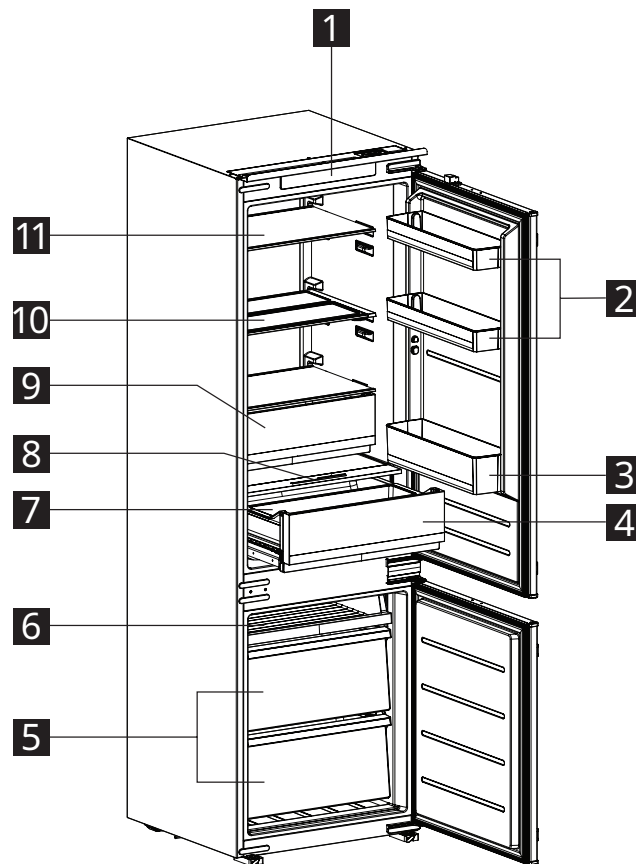
⚠ WARNING! Risk of injury or suffocation.

- Disconnect the appliance from the mains supply.
- Cut off the mains cable and discard it.
- Remove the doors to prevent children and pets to be closed inside the appliance.
- The refrigerant circuit and the insulation materials of this appliance are ozone-friendly.
- Do not cause damage to the part of the cooling unit that is near the heat exchanger.

The manufacturer declines any liability for injury to persons or animals or damage to property if the above advice and precautions are not respected.

Product description

Product overview



- | | |
|---------------------------|----------------------------------|
| 1 Control panel | 7 Sliding tray |
| 2 Door balconies | 8 Humidity slider |
| 3 Bottle balcony | 9 Low temperature drawer |
| 4 Vegetable drawer | 10 Extendable glass shelf |
| 5 Freezer drawers | 11 Glass shelf |
| 6 Freezer tray | |

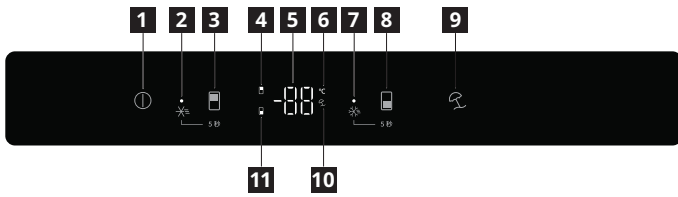
First use

Connect the appliance to the power supply. The ideal food storage temperatures are already factory-set (intermediate).

Note: After being switched on, the appliance needs 4-5 hours in order to reach the correct temperature to store a typical volume of food.

Operation

Control panel



- 1** On/Off button
- 2** Super cooling mode indicator
- 3** Refrigerator temperature button
- 4** Refrigerator indicator
- 5** LCD screen
- 6** Temperature unit indicator
- 7** Super freezing mode indicator
- 8** Freezer temperature button
- 9** Vacation mode button
- 10** Vacation mode indicator
- 11** Freezer indicator

Note: Do not use sharp objects to operate the control panel. They can scratch or damage the control panel.

Switching on

When you connect the mains plug to a power socket, the appliance switches on, emits a ring and starts operating using the default or last used settings.

Switching off

- To switch off the appliance, tap and hold the On/Off button (1) for 10 seconds. The appliance turns off the control panel and stops operating. **Note:** When the appliance is off, all control panel buttons except the On/Off button (1) are disabled. If you tap a disabled button, the appliance emits a ring.
- To switch the appliance back on, tap and hold the On/Off button (1) for 10 seconds. The appliance turns on the control panel and resumes its operation.
- To disconnect the appliance from the power supply, disconnect the mains plug from the power socket.

Display

- After you plug in the appliance, the entire LCD screen and all indicators will light up for 3 seconds. Then the screen starts showing the set temperature for the refrigerator compartment in °C.
- To view the set temperature for the freezer compartment, tap the Freezer temperature button (8). The Freezer indicator (11) lights up.
- To view the set temperature for the refrigerator compartment again, tap the Refrigerator

temperature button (3). The Refrigerator indicator (4) lights up.

- If the door is closed and you do not tap any button, the LCD screen and all relevant indicators will turn off in 15 seconds. To turn them back on, tap any button or open the door.
- In case of a known failure, the appliance shows one of the following error codes on the LCD screen and beeps. To stop the beeping, tap any button.

Error code	Fault
E1	Refrigerator temperature sensor failure
E2	Freezer temperature sensor failure
E5	Freezer defrosting temperature sensor failure
E7	Ambient temperature sensor failure
E6	Internal communication failure

Note: If you see one of these error codes, contact an Authorised Service Centre for advice.

Setting the temperatures

Recommended temperatures

Refrigerator compartment: +5°C (factory setting)

Freezer compartment: -20°C (factory setting)

When you plug in the appliance for the first time, it sets the temperatures to the factory default temperatures. When you plug in or switch on the appliance again, it sets the temperatures to the last set temperatures unless its memory function is off.

- To adjust the refrigerator temperature, tap the Refrigerator temperature button (3) to cycle through the available temperatures (2°C to 8°C) until your desired temperature appears on the screen. The Refrigerator indicator (4) blinks during the adjustment and stops blinking when the set temperature takes effect.



- To adjust the freezer temperature, tap the Freezer temperature button (8) to cycle through the available temperatures (-24°C to -16°C) until your desired temperature appears on the screen. The Freezer indicator (11) blinks during the adjustment and stops blinking when the set temperature takes effect.



Tips:

- You cannot adjust the refrigerator and freezer temperatures when the appliance is in vacation mode.
- The lower the set temperature, the longer you can safely store your food and the more electricity the appliance consumes.
- The higher the set temperature, the quicker your stored food decays and the less electricity the appliance consumes.

Super cooling mode

Note: The Super cooling function is specifically designed to rapidly cool down newly placed food in the fridge compartment. If you have a significant amount of warm food, such as after grocery shopping, it is recommended to activate the Super cooling function. By doing so, you can ensure quick cooling of the products and reduce the temperature rise, thereby effectively prolonging the preservation of all the other food items inside.

- To put the appliance into super cooling mode, tap and hold the Refrigerator temperature button (❏) for 5 seconds. The Super cooling mode indicator (❄️) blinks and the appliance displays 2°C on the screen. This mode will take effect when this indicator stops blinking.
- The appliance will automatically exit super cooling mode after being in this mode for 6 hours or when the refrigerator temperature reaches 2°C. To exit this mode earlier, tap the Refrigerator temperature button (❏).

Super freezing mode

Note: The super freezing function is designed to maintain the nutritional value of food in the freezer compartment. It can freeze the food in the shortest time. If a large amount of food is frozen at one time or the food needs to be frozen quickly, it is recommended to turn on the super freezing function and put the food in. At this time, freezing speed of freezer compartment will be increased. Energy consumption increases while the function is ON.

- To put the appliance into super freezing mode, tap and hold the Freezer temperature button (❏) for 5 seconds. The Super freezing mode indicator (❄️) blinks and the appliance displays -24°C on the screen. This mode will take effect when this indicator stops blinking.
- The appliance will automatically exit super freezing mode after being in this mode for 40 hours. To exit this mode earlier, tap the Freezer temperature button (❏).

Vacation mode

Before leaving the appliance unused for a long time, you can put it into vacation mode to save energy. In vacation mode, the appliance does not cool the refrigerator compartment and keeps the freezer compartment at a temperature of -20°C.

Notes:

- Do not store any food in the refrigerator compartment when the appliance is in vacation mode. Leave the refrigerator door open just enough to allow air to circulate inside the compartment. This will prevent the formation of mould and unpleasant odours.
- Both the Refrigerator temperature button (❏) and Freezer temperature button (❏) are disabled when the appliance is in vacation mode.
- To put the appliance into vacation mode, tap and hold the Vacation mode button (⌚) for 3 seconds. The Vacation mode indicator (⌚) blinks and the appliance displays -20°C on the screen. This mode will take effect when this indicator stops blinking.
- To exit vacation mode, tap and hold the Vacation mode button (⌚) for 3 seconds. The Vacation mode indicator (⌚) turns off.

Memory function

The appliance has a memory function that is on in most cases. If you switch off or unplug the appliance, or in case of a power outage, it will resume its operation using the last used settings after switching on again.

Similarly, after the appliance exits super cooling, super freezing or vacation mode, it will continue to operate using the settings used before entering that mode.

Notes:

- The appliance will not remember the elapsed time for super cooling or super freezing mode. So, for instance, if it returns to super cooling mode after switching on again, it will always run this mode for 6 hours before exiting automatically.
- The appliance will turn on its memory function only after it has operated continuously for more than 30 minutes. So, if you switch it off after it has operated continuously for less than 30 minutes, it will not remember the last used settings.

Door opening and closing

- The LED light inside the refrigerator compartment turns on when the refrigerator door opens and turns off when the door closes.
- The LCD screen and all relevant indicators turn on when the refrigerator door opens and turn off 15 seconds after the door closes.

Door opening alarm

- If the refrigerator door remains open for more than 120 seconds, the door opening alarm will go off. To stop the alarm, close the open door or tap any button.
- If you stop the alarm by tapping a button and keep the door open, the alarm will go off again after another 120 seconds. If you keep the door open for over 15 minutes, the appliance will turn off the

alarm and LED light, and continue operating as usual.

- **Note:** The door opening alarm is disabled when the appliance is in vacation mode.

Daily use

Low temperature drawer

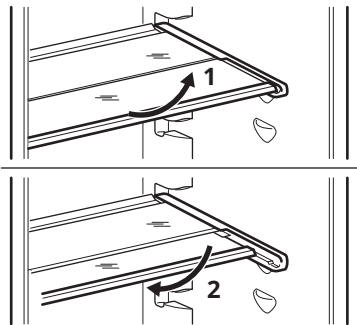
- The low temperature drawer is the coldest zone in the refrigerator compartment. It maintains a temperature that is 1 or 2°C lower than the set temperature.
- Store perishable foods such as fish, sausages and meat in this drawer, so that they will stay fresh longer. **Note:** Store fresh meat in this drawer for no more than two days to guarantee the best freshness.

Extendable glass shelf

This appliance is equipped with an extendable glass shelf in the refrigerator compartment. The front half of the shelf can be placed in front of or under the rear half to suit your needs.

To fold the shelf:

1. Take out the front half gently.
2. Slide it into the lower rail and under the rear half.



Vegetable drawer with humidity control

The vegetable drawer is the best storage location for fresh fruit and vegetables. You can adjust the air humidity in the vegetable drawer via the humidity slider. This allows fresh fruit and vegetables to be stored twice as long as with conventional storage.

The air humidity in the vegetable drawer can be set according to the type and amount of products to be stored:

Products	Suggested air humidity
Mainly fruit or a large load	Lower
Mainly vegetables, a mixed load or a small load	Higher

Notes:

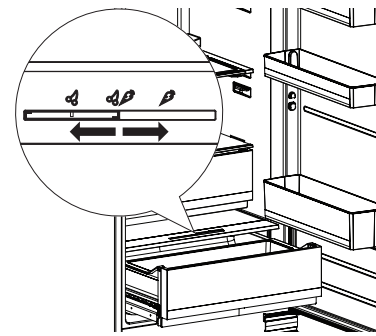
- Fruit sensitive to cold (e.g. pineapple, banana, papaya and citrus fruit) and vegetables sensitive to cold (e.g. aubergines, cucumbers, zucchini, peppers, tomatoes and potatoes) should be stored

outside the refrigerator at temperatures of about 8-12°C for optimum preservation of quality and flavour.

- Condensation may form in the vegetable drawer depending on the food and quantity stored. Remove condensation with a dry cloth and adjust air humidity in the vegetable drawer with the humidity slider.

The humidity slider is on the front of the vegetable drawer cover.

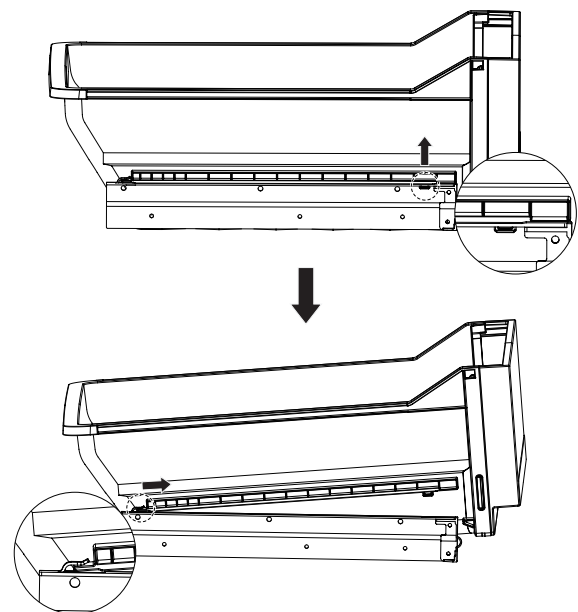
- To increase the air humidity, move the slider rightwards.
- To reduce the air humidity, move the slider leftwards.



The vegetable drawer is attached to a sliding base and can be removed from the appliance.

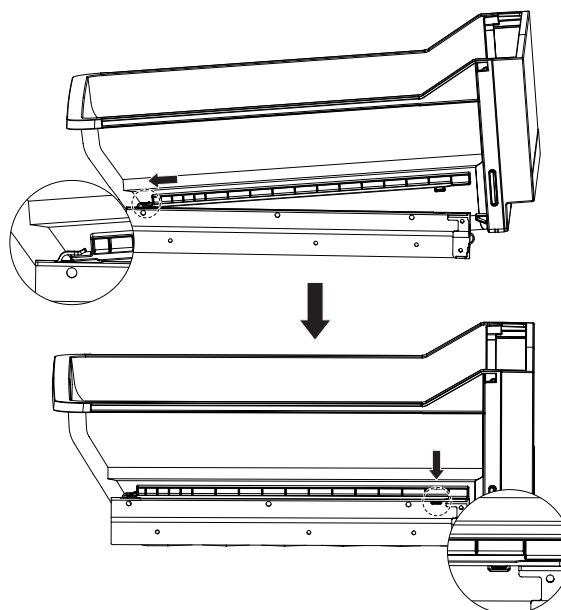
To remove the vegetable drawer, follow these steps:

1. Fully pull out the drawer.
2. Lift the front of the drawer off the base.
3. Pull the drawer away from the base.



To reinstall the vegetable drawer, follow these steps:

1. Fully pull out the base.
2. Place the back of the drawer onto the base, then slide the two rear tabs into the two slots of the base.
3. Insert the two front tabs into the base.




Hints and tips

Hints for fresh food refrigeration

- Cover or wrap the food, particularly if it has a strong flavour.
- Position the food so that air can circulate freely around it.
- For best performance, leave enough space in the refrigerator compartment for air to circulate around the packages. Also leave enough room at the front so the door can close tightly.
- Do not store warm food or evaporating liquids in the refrigerator.
- Meat (all types): wrap in suitable packaging and place on the glass shelf above the vegetable drawer. Store meat for at most 1-2 days.
- Cooked foods and cold dishes: cover and place on any shelf.
- Fruit and vegetables: clean thoroughly and place in the vegetable drawer. Bananas, potatoes, onions and garlic must not be kept in the refrigerator if not packed.
- Butter and cheese: place in special airtight containers or wrap in aluminium foil or polythene bags to exclude as much air as possible.
- Bottles: close with caps and place on the door balconies.

Freezer compartment

This appliance is a refrigerator with a  star freezer compartment. Packaged frozen food can be stored for the period of time indicated on the packaging. Once defrosted, food must be used within 24 hours.

Freezing fresh food

- The quantity of fresh food that can be frozen in 24 hours is shown on the rating plate.
- Do not allow fresh, unfrozen food to touch food which is already frozen, thus avoiding a rise in temperature of the latter.
- Place fresh food in the freezing area of the freezer compartment leaving enough space between items to allow air to circulate freely.
- Wrap food to protect it from any water, humidity or condensation; this will prevent the spread of any odours in the refrigerator, while also ensuring better storage of frozen food.
- Lean foods store better and longer than fatty ones; salt reduces the storage life of food.
- Never place warm food in the freezer. Cooling hot foods before freezing saves energy and prolongs the life of the appliance.
- Do not refreeze partially thawed food.

Removing the freezer drawers

Pull the drawers all the way out, lift them up and remove.

Notes:

- To maximize the available space, you can use the freezer compartment without inserting the drawers. However, as the amount of food in the compartment increases, the energy consumption also increases.
- After placing food in the compartment make sure the freezer compartment door closes properly.

Energy-saving tips

- Install the appliance in a dry, well ventilated room far away from any heat source (e.g. radiator, cooker, etc.) and in a place not exposed directly to the sun. If required, use an insulating plate.
- To guarantee adequate ventilation follow installation instructions.
- Insufficient ventilation on back of the product increases energy consumption and decreases cooling efficiency.
- The internal temperatures of the appliance may be affected by the ambient temperature, frequency of door opening, as well as location of the appliance. Temperature setting should take into consideration these factors.
- Allow warm food and drinks to cool down before placing in the appliance.
- Do not obstruct the fan (if available) with food items.
- After placing the food check if the door of compartments closes properly, especially the freezer door.
- Reduce to a minimum door opening.
- When thawing frozen food, place them in the refrigerator. The low temperature of the frozen products cools the food in the refrigerator.
- Positioning of the shelves in the refrigerator has no impact on the efficient usage of energy. Food should be placed on the shelves in such way to ensure proper air circulation (food should not touch each other and distance between food and rear wall should be kept).
- Damaged gaskets must be replaced as soon as possible.

Cleaning and maintenance

General tips

- Before servicing or cleaning the appliance, unplug it from the mains or disconnect the power supply.
- Regularly clean the appliance with a cloth and a solution of warm water and neutral detergent specifically formulated for refrigerator interiors. Do not use abrasive cleaners or tools.

CAUTION! Make sure that no water enters the lighting housing, electronic display housing or any other electrical parts.

CAUTION! The refrigerator accessories must not be placed in a dishwasher.

Defrosting the refrigerator compartment

The appliance is equipped with an automatic defrosting function. Manual defrosting is not required.

Defrosting the freezer compartment

The appliance is equipped with an automatic defrosting function. There will be no buildup of frost when it is in operation, neither on the internal walls, nor on the foods. Manual defrosting is not required.

If you do not use the appliance for a prolonged period

1. Switch off the appliance.
2. Disconnect the appliance from the power supply.
3. Remove all food.
4. Clean the appliance.
5. Leave the doors open just enough to allow air to circulate inside the compartments. This will prevent the formation of mould and unpleasant odours.

In the event of a power cut

- Keep the doors of the appliance closed. This will allow the food to stay cold as long as possible.
- If food has defrosted even partially, do not re-freeze it. Consume within 24 hours.

Replacing the lighting

The appliance is equipped with a lamp for interior lighting.

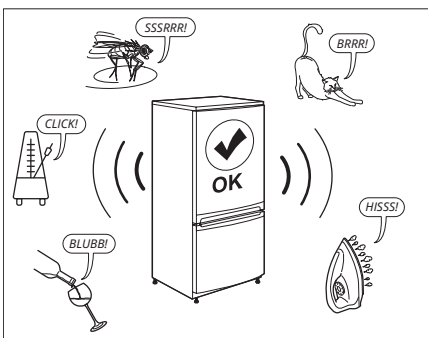
Only service is allowed to replace the lighting device. Please reach out to IKEA. Refer to www.IKEA.com and select your local store for local store phone numbers and opening times.

Troubleshooting

Problem	Possible causes	Solutions
The control panel is switched off and/or the appliance does not work.	There may be a problem with the power supply to the appliance.	Ensure that: <ul style="list-style-type: none"> • There is no power cut. • The power plug is properly inserted in the socket and the bipolar power switch, if present, is set to the correct position (on). • The household electrical system protection devices are in good working order. • The power supply cable is not damaged. • You have switched on the appliance.
The inside light does not work.	<ul style="list-style-type: none"> • The light is broken. • Failure of a component 	Refer to "Replacing the lighting".
Temperature inside the compartments is not low enough.	There could be various causes (see the solutions in the next column).	Ensure that: <ul style="list-style-type: none"> • The doors are closed properly. • The appliance is not installed near a heat source. • The temperature is set appropriately. • Air circulation inside the appliance is not obstructed in any way (see the installation instructions).
The front edge of the refrigerator next to the seal is hot.	This is not a problem. It prevents condensation from forming.	No solution is required.
The temperature inside the refrigerator compartment is too low.	<ul style="list-style-type: none"> • The set temperature is too low. • Refrigerator temperature sensor malfunctions. 	<ul style="list-style-type: none"> • If no food in the compartment is frozen, set a higher temperature. • If some or all food in the compartment has become frozen, contact an authorized Service Centre.
There is frost buildup in the freezer or refrigerator compartment.	The freezer or refrigerator door does not close properly.	Ensure the door closes properly. Refer to "Closing the door".
The appliance shows a code on the LCD screen and beeps.	Refer to "Display" in the "Operation" chapter.	Refer to "Display" in the "Operation" chapter.
The door does not close completely.	Refer to "Closing the door".	Refer to "Closing the door".

Normal noises

It is normal for the refrigeration system to produce some noises, such as gurgling and hissing.



Closing the door

If	Do
Door gaskets are dirty.	Clean them.
Door gaskets are damaged.	Contact the After Sales Service to replace them.
The door is blocked by shelves, drawers, food items, etc.	Position correctly or remove the objects that block the door.
The door is not aligned with the cabinet.	Adjust the door. Refer to the separate Assembly Instructions.

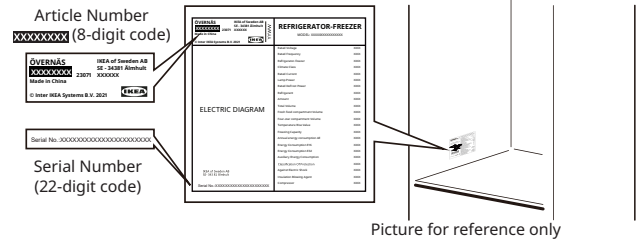
Before contacting the After-sales Service:

Restart the appliance to see if the fault has been remedied. If it persists, switch the appliance off again and repeat the operation after an hour.

If your appliance still does not work properly after carrying out the checks listed in the troubleshooting guide and switching the appliance on again, contact the After-sales Service, clearly explaining the problem and specifying:

- the nature of the problem
- the date of purchase
- the model and serial number of the appliance

i The article number and serial number are shown on the rating plate on the internal left side of the appliance.



Technical data

Product category	
Product type	Refrigerator - Freezer
Installation type	Built-in
Product dimensions	
Height	1785 mm
Width	540 mm
Depth	550 mm
Net volume	
Fridge	193 L
Freezer	74 L
Defrost system	
Fridge	Automatic
Freezer	Automatic
Other specifications	
Temperature rising time	9.0 hours
Refrigerating capacity	35 kg/12h
Freezing capacity	3 kg/12h
Energy consumption	Standard: 0.50 kW·h/24h Total: 0.60 kW·h/24h 219 kW·h/a
Noise level	35 dB(A)
Energy class	Class 1
Rated voltage	220 V~
Rated frequency	50 Hz
Standards used	GB/T4706.1 GB/T4706.13 GB4343.1 GB17625.1 GB12021.2 GB/T8059

Food contact materials of the product

List of food contact materials		
Part name	Part materials	Standards used
Liner	PS, ABS, stainless steel 304 (06Cr19Ni10)	GB4806.1 GB4806.7 GB4806.9
Drawers, vegetable drawers, bottle balcony	PS, ABS, PP	GB4806.1 GB4806.7 GB4806.14
Lampshade, egg holder, ice scoop, ice tray	PS, ABS, PP, PC	GB4806.1 GB4806.7
Glass shelves	Glass, PS, ABS, PP	GB4806.1 GB4806.7 GB4806.5 GB4806.14
Ice-making components and water piping fittings	POM, PP, ABS, PS, stainless steel 304 (06Cr19Ni10), aluminum 1060, silicone rubber, etc.	GB4806.1 GB4806.7 GB4806.9 GB4806.11
Air duct components	PP, PS, aluminum alloy 5052, aluminum alloy 3003, stainless steel 430 (10Cr17), stainless steel 304 (06Cr19Ni10), stainless steel 430LNT (10Cr17NbTi), glass	GB4806.1 GB4806.7 GB4806.9 GB4806.5 GB4806.14
Area light source	PS, PMMA	GB4806.1 GB4806.7 GB4806.14
Temperature control box, knob, box cover	Flame-retardant PS, flame-retardant ABS, ABS, PS	GB4806.1 GB4806.7 GB4806.14
Drain pans, decorative strips, plastic railings, hole plugs	PP, ABS	GB4806.1 GB4806.7
Powder-coated railings, powder-coated shelves, powder-coated hanging baskets	Carbon structural steel Q195/PE, Carbon structural steel Q235/PE	GB4806.1 GB4806.7 GB4806.9
Chrome wine rack	Carbon structural steel Q195/copper plating/chrome plating, carbon structural steel Q195/nickel plating/chrome plating, stainless steel 304 (06Cr19Ni10)/copper plating/chrome plating, stainless steel 304 (06Cr19Ni10)/nickel plating/chrome plating	GB4806.1 GB4806.9
Capillary tube evaporator	Aluminum 1060 / Epoxy resin / Polyester resin	GB4806.1 GB4806.13 GB4806.7 GB4806.9
Blow-up evaporator	Aluminum 1060 / Polyester resin	GB4806.1 GB4806.13 GB4806.7 GB4806.9
Labels	OPP, PET	GB4806.1 GB4806.7

Note: The parts in the detailed list are a summary of the main parts included in different product models. Some materials include but are not limited to those listed herein. Whether this product contains a given part is subject to the product's actual configuration.


Hazardous substances in the product

List of hazardous substances in the product										
Part name	Hazardous substance									
	Lead (Pb)	Mercury (Hg)	Cadmium (Cd)	Hexavalent chromium (Cr(VI))	Polybrominated biphenyls (PBBs)	Polybrominated diphenyl ethers (PBDEs)	Di-n-butyl phthalate (DBP)	Diisobutyl phthalate (DIBP)	Benzyl butyl phthalate (BBP)	Di(2-ethylhexyl) phthalate (DEHP)
Cabinet and its components	○	○	○	○	○	○	○	○	○	○
Doors and their components	○	○	○	○	○	○	○	○	○	○
Compressor components and accessories	✕	○	○	○	○	○	○	○	○	○
PCB	✕	○	○	○	○	○	○	○	○	○
Refrigeration piping parts	○	○	○	○	○	○	○	○	○	○
Refrigerant	○	○	○	○	○	○	○	○	○	○
Electrical components	✕	○	○	○	○	○	○	○	○	○
Packaging and printed components	○	○	○	○	○	○	○	○	○	○
Auxiliary materials	○	○	○	○	○	○	○	○	○	○

Explanation of symbols:
 ○ : Indicates that the content of the hazardous substance in all homogeneous materials of the part does not exceed the requirement of the national standard for the restriction of the use of hazardous substances in electrical and electronic products.
 ✕: Indicates that the content of the hazardous substance in at least one homogeneous material of the part exceeds the requirement of the national standard for the restriction of the use of hazardous substances in electrical and electronic products.

Note: For those parts not listed above, the content of all hazardous substances in them does not exceed the requirements of the national standard for the restriction of the use of hazardous substances in electrical and electronic products.

Environmental requirements

Please recycle materials marked with the symbol . Please put the packaging in the corresponding container for recycling. Please protect the environment and human health by recycling used and scrapped electrical and electronic devices. Do not dispose of this product together with ordinary domestic waste. Please send the product to a local recycling facility or contact your municipal office for directions.



IKEA Guarantee

How long is the IKEA guarantee valid?

This guarantee is valid for five (5) years from the original date of purchase of your appliance at IKEA. The original sales receipt is required as proof of purchase. If service work is carried out under guarantee, this will not extend the guarantee period for the appliance.

Who will execute the service?

IKEA service provider will provide the service through its own service operations or authorized service partner network.

What does this guarantee cover?

The guarantee covers faults of the appliance, which have been caused by faulty construction or material faults from the date of purchase from IKEA. This guarantee applies to domestic use only. The exceptions are specified under the headline "What is not covered under this guarantee?" Within the guarantee period, the costs to remedy the fault e.g. repairs, parts, labour and travel will be covered, provided that the appliance is accessible for repair without special expenditure. On these conditions the respective local regulations are applicable. Replaced parts become the property of IKEA.

What will IKEA do to correct the problem?

IKEA appointed Service Provider will examine the product and decide, at its sole discretion, if it is covered under this guarantee. If considered covered, IKEA Service Provider or its authorized service partner through its own service operations, will then, at its sole discretion, either repair the defective product or replace it with the same or a comparable product.

What is not covered under this guarantee?

- Normal wear and tear.
- Deliberate or negligent damage, damage caused by failure to observe operating instructions, incorrect installation or by connection to the wrong voltage, damage caused by chemical or electro-chemical reaction, rust, corrosion or water damage including but not limited to damage caused by excessive lime in the water supply, damage caused by abnormal environmental conditions.
- Consumable parts including batteries and lamps.
- Non-functional and decorative parts which do not affect normal use of the appliance, including any scratches and possible color differences.
- Accidental damage caused by foreign objects or substances and cleaning or unblocking of filters, drainage systems or soap drawers.
- Damage to the following parts: ceramic glass, accessories, crockery and cutlery baskets, feed and drainage pipes, seals, lamps and lamp covers,

screens, knobs, casings and parts of casings. Unless such damages can be proved to have been caused by production faults.

- Cases where no fault could be found during a technician's visit.
- Repairs not carried out by our appointed service providers and/or an authorized service contractual partner or where non-original parts have been used.
- Repairs caused by installation which is faulty or not according to specification.
- The use of the appliance in a non-domestic environment i.e. professional use.
- Transportation damages. If a customer transports the product to his home or another address, IKEA is not liable for any damage that may occur during transport. However, if IKEA delivers the product to the customer's delivery address, then damage to the product that occurs during this delivery will be covered by IKEA.
- Cost for carrying out the initial installation of the IKEA appliance.
- However, if an IKEA appointed Service Provider or its authorized service partner repairs or replaces the appliance under the terms of this guarantee, the appointed Service Provider or its authorized service partner will reinstall the repaired appliance or install the replacement, if necessary.
- All plumbing and electrical installation, are not the responsibility of IKEA, and customer must complete these work before the execution work.

How country law applies

The IKEA warranty gives you specific legal rights, which cover or exceed all the local legal demands. However these conditions do not limit in any way consumer rights described in the local legislation.

Area of validity

This warranty is valid only in the country where the product has been purchased; the services will be provided in the framework of the guarantee conditions. An obligation to carry out services in the framework of the guarantee exists only if the appliance complies and is installed in accordance with:

- the technical specifications of the country in which the guarantee claim is made;
- the Assembly Instructions and User Manual Safety Information;

The dedicated AFTER SALES for IKEA appliances

Please don't hesitate to contact IKEA appointed Authorized Service Centre to:

- make a service request under this guarantee;
- ask for clarifications on installation of the IKEA appliance in the dedicated IKEA kitchen furniture;
- ask for clarification on functions of IKEA appliances.

To ensure that we provide you with the best assistance, please read carefully the Assembly Instructions and/or the User Manual before contacting us.

How to reach us if you need our service



The IKEA after sales customer service center will assist you on the phone with basic troubleshooting for your appliances at the time of service call request.

Please refer to www.IKEA.com

and select your local store for local store phone numbers and opening times.

Before calling us, assure that You have to hand the IKEA article number (8 digit code) and the Serial Number (8 digit code that can be found on the rating plate) for the appliance of which you need our assistance.

- ⓘ **SAVE THE SALES RECEIPT!** It is your proof of purchase and required for the guarantee to apply. Note that the receipt reports also the IKEA article name and number (8 digit code) for each of the appliances you have purchased.

Do you need extra help?

For any additional questions not related to After Sales of your appliances please contact your nearest IKEA store call centre. We recommend you read the appliance documentation carefully before contacting us.

目录

安全信息	21	清洁与维护	28
安全说明	22	故障排除	29
产品描述	24	技术参数	30
首次使用	24	冰箱食品接触材料	31
操作	25	产品中的有害物质	32
日常使用	26	环保要求	32
注意事项与提示	27	宜家质保	33

安全信息

安装和使用冰箱前，请仔细阅读产品说明书。因安装不正确或使用错误所导致的人身伤害或设备损坏，制造商概不负责。请将说明书与冰箱一同妥善保存，以备将来参阅。

- 本器具用于家用和类似用途，如：
 - 商店、办公室或其他工作场合的厨房区域；
 - 农场以及宾馆、汽车旅店和居住型环境的顾客；
 - 家庭旅馆型环境；
 - 餐饮业和类似的非零售业应用

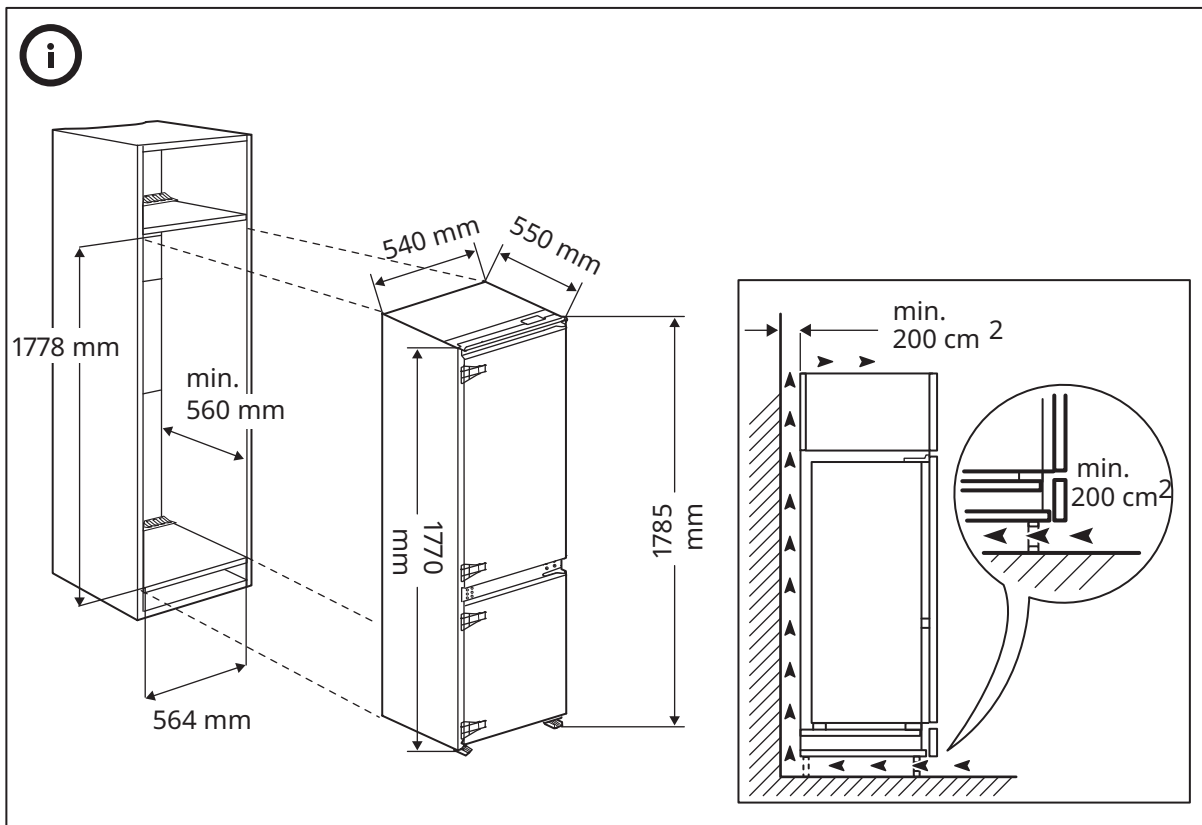
**警告：** 火灾危险 / 可燃材料

该电器含有易燃气体，异丁烷（R600a），一种具有高水平环境兼容性的天然气。

注意不要损坏含有异丁烷的冷却回路。

- 按照安装说明要求进行安装；
- 按照清洁维护说明进行进行清洁维护；
- 按照包装箱上的指引进行搬运
- 该产品使用环戊烷可燃性发泡材料，废弃冰箱应与火源隔绝，不能燃烧处理，请交给具有资质的专业回收公司，以避免对环境造成危害。
- 在产品安装及维护保养期间，请断开电源。
- 器具不打算由存在肢体、感官或精神能力缺陷或缺少使用经验和知识的人（包括儿童）使用，除非有负责他们安全的人对他们进行与器具使用有关的监督或指导。
- 应照看好儿童，确保他们不玩耍本器具。
- **警告：** 器具周围或在嵌入式结构里无阻碍物，保持通风通畅。
- **警告：** 除了制造商推荐的方式外，不得使用机械设备或其他方式加速除霜过程。
- **警告：** 不得损坏制冷回路。
- **警告：** 除了制造商推荐使用的类型外，不得在器具的食品储藏室使用电器。
- 不得在器具中贮存爆炸物，如助燃喷雾剂。

- **警告：** 放置器具时，应确保电源线不被卡住或损坏。
- **警告：** 器具的背部不得放置移动式多位插座或便携式电源。
- 如果照明灯损坏，为了避免危险，必须由制造商、其服务机构或类似的专业人员更换。
- **警告：** 为了避免由于器具固定不稳导致的危险，必须根据说明的要求来安装固定。
- 如果电源软线损坏，为了避免危险，必须由制造商、其服务机构或类似的专业人员更换。
- 使用过程中，请将家用电器的电源插头完全插入电源插座中，并保持电源插头与插座接触良好：
- 禁止使用延长线；
- 产品出现异常噪声、异常气味、异常高温或故障时，请立即停止使用，关闭开关，断开电源；
- 如果家用电器中充注了可燃制冷剂，出现异常情况时，关闭开关前应先采取自然通风措施，避免出现可燃制冷剂聚集的情况。
- 不应从带插座的灯头上引接电源供给家用电器；
- 本产品不应在易燃易爆物品附近或类似环境中使用；
- 使用者不应自行拆卸家用电器，不应变更内部接线、部件和保护装置；
- 从插座上拔下插头时，不应在电源线上施加拉力；
- 使用者不应以普通导体或超出规定电流容量的熔断体替换家用电器和电源的熔断体；
- 使用者不应自行改变低压断路器或剩余电流动作保护器的设定值；



安全说明

- 儿童不得对冰箱进行清洁和维护。
- 请将所有包装放在远离儿童的地方，并妥善处理。
- 请勿使用水喷雾和蒸汽清洁冰箱。
- 请使用微湿的软布擦拭冰箱。仅使用中性洗涤剂。请勿使用磨蚀性产品、磨蚀性清洁垫、溶剂或金属物品清洗。
- 长时间打开冰箱门会导致内部隔室温度显著升高。
- 定期清洁可能接触到食物和靠近排水系统的表面。
- 生肉和鱼应装在适当容器内再放入冰箱，以免接触或滴到其他食物上。
- 如果冰箱长期空置，应关闭电源，进行除霜、清洁和干燥，并保持冰箱门开启，以防内部产生霉菌。
- 二星冷冻食品室适合储存预冻食品、储存或制作冰激凌以及制作冰块。
- 一星、二星和三星隔室不适合冷冻生鲜食品。
- 本产品的光源仅可由专业工程师更换。
- 初次安装或更换冰箱门方向后，必须至少等待 4 个小时，方可接通电源。此举是为了等待机油回流至压缩机中。
- 在对冰箱进行任何操作（如更换门的方向）之前，请将插头从电源插座上拔下。
- 冰箱背面应当紧贴墙壁放置。
- 请勿将冰箱安装在阳光直射的地方。
- 请勿将冰箱安装在过于潮湿或寒冷的地方，例如酒窖内。

电气连接

⚠ 警告！ 存在火灾和触电风险。

⚠ 警告！ 安放冰箱时，请确保电源软线没有卡住或损坏。

⚠ 警告！ 请勿使用接线板或电源延长线。

- 冰箱必须接地。
- 确保铭牌上的电气参数与主电源的电气参数相匹配。
- 务必使用正确安装的防电击插座。
- 确保不会损坏电气部件（例如电源插头、电源线、压缩机）。请联系授权服务中心或电工更换电气部件。
- 电源线位置必须低于电源插头。
- 安装完成后，方可连接电源插头至主电源插座。安装完成后，请确保电源插头仍然便于插拔。
- 切断设备的电源时，请勿拉拽电源线。始终通过拔出电源插头来断电。

安装

⚠ 警告！ 冰箱必须由具备资质的人员进行安装。

- 请移除所有包装。
- 请勿安装或使用已损坏的冰箱。
- 请按照冰箱随附的安装说明书进行安装。
- 冰箱较重，请小心移动。始终佩戴安全手套并穿着封闭式鞋子。
- 移动冰箱时，请小心不要损坏地板（如镶木地板）。
- 确保冰箱远离热源。
- 将冰箱安装在足以承受其重量的地面上，并保持水平，安装位置应与其尺寸和用途相适应。
- 请确保冰箱周围的空气正常流通。

使用

⚠ 警告! 存在人身伤害、烧伤、触电或火灾风险。

- 压缩机在正常工作时表面可能发烫。请勿用手触摸。
- 请勿更改冰箱的规格。
- 除非制造商声明适用，否则不要将电器（例如冰淇淋机）放入冰箱中。
- 如果制冷剂回路损坏，请确保室内无明火和火源。请对室内进行通风。
- 请勿让高温物体接触冰箱的塑料部件。
- 切勿在冷冻室内存放软饮料，以防爆裂或发生其他损失。
- 请勿在冰箱内存放可燃气体或液体。
- 请勿将易燃产品或沾有易燃液体的物品放在冰箱内部、附近或上方。
- 请勿触摸压缩机或冷凝器。它们是发热部件。
- 请勿用湿手触碰或取出冷冻食品室内的物品。
- 冰袋内容物虽无毒，但请勿吞咽。
- 刚从冷冻室中取出冰块或冰棍时，请勿立即食用，以防冻伤。
- 请勿将已解冻的食物再次冷冻。
- 请遵循冷冻食品包装上的储存说明。
- 如果器具在额定气候类型环境温度范围以外运行则器具可能不能维持满意的间室温度。
- 所冷冻的食品不能直接与室内已储藏的食品接触并且如果需要每天都要冻结食品时应减少冷冻食品的数量。
- 在人工化霜、维护或清洁时所冻结食品的温升可能会缩短储存期。

内置灯

⚠ 警告! 存在触电风险。

- 冰箱内使用的灯是专为家用电器设计的，不适用于家庭一般照明。

保养与清洁

⚠ 警告! 存在人身伤害或冰箱损坏的风险。

- 在进行维护前，请关闭冰箱并将电源插头从插座上拔下。
- 冰箱的冷却装置中含有碳氢化合物。须由具备资质的人员维护和填充冷却装置。
- 请定期检查冰箱排水口，必要时进行清理。如果排水口被堵塞，除霜水会积聚在冰箱底部。

服务

- 如需维修本设备，请联系授权服务中心。
- 仅使用原装配件。

废弃处理

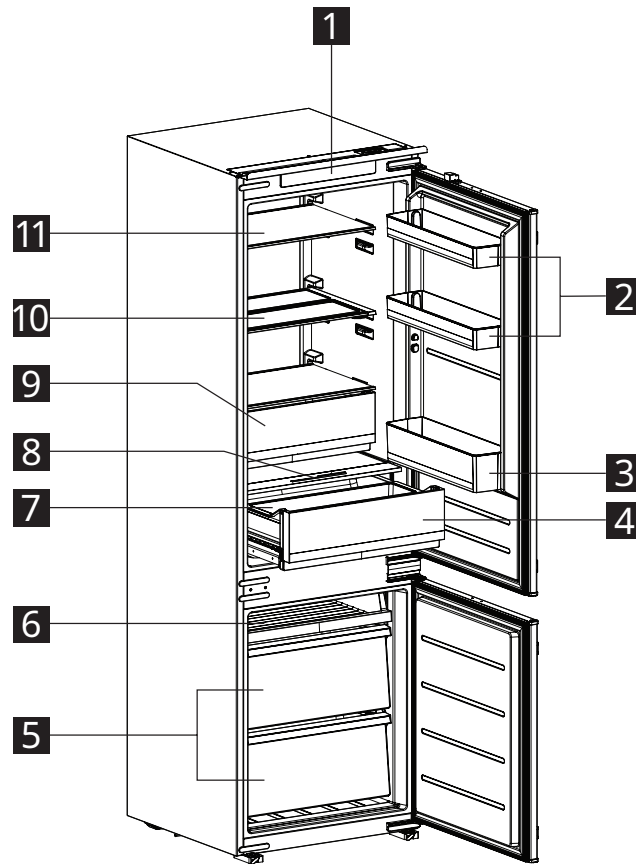
⚠ 警告! 存在人身伤害或窒息的风险。

- 断开冰箱的主电源。
- 切断电源线并丢弃。
- 卸下冰箱门，以防儿童或宠物被关在冰箱内。
- 冰箱的制冷回路和绝缘材料对臭氧层无害。
- 请勿损坏靠近热交换器的冷却装置部分。

若不遵守上述建议和预防措施，制造商对因此导致的人员或动物伤害以及财产损失不承担任何责任。

产品描述

产品概览



1 控制面板

2 门搁架

3 瓶框

4 果菜盒

5 冷冻室抽屉

6 冷冻室托盘

7 滑动托盘

8 湿度调节滑块

9 低温抽屉

10 可伸缩玻璃架

11 玻璃架

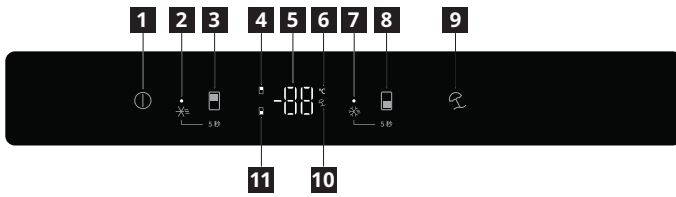
首次使用

接通冰箱电源。出厂时已将理想的食物储存温度设置为中档。

注意：接通电源后，冰箱需要 4-5 小时才能达到适合储存一定量食物所需的适宜温度。

操作

控制面板



- 1 开 / 关按钮
- 2 速冷模式指示灯
- 3 冷藏室温度按钮
- 4 冷藏室指示灯
- 5 液晶屏
- 6 温度单位指示灯
- 7 速冻模式指示灯
- 8 冷冻室温度按钮
- 9 假日模式按钮
- 10 假日模式指示灯
- 11 冷冻室指示灯

注意：请勿用尖锐物体来控制面板。它们可能会划伤或损坏控制面板。

启动

将电源插头连接到电源插座时，冰箱将启动，发出提示音，并以默认设置或上次使用的设置开始运行。

关闭

- 如需关闭冰箱，请长按开 / 关按钮 (ⓘ) 10 秒钟。冰箱将关闭控制面板并停止运行。**注意：**当冰箱关闭时，除开 / 关按钮 (ⓘ) 外，控制面板上的所有按钮均不可用。若轻触已禁用的按钮，冰箱会发出提示音。
- 如需重新开启冰箱，请长按开 / 关按钮 (ⓘ) 10 秒钟。冰箱将开启控制面板并恢复运行。
- 如需断开冰箱的电源，请将电源插头从电源插座中拔出。

显示

- 插入电源后，整个液晶屏和所有指示灯将亮起 3 秒钟。随后屏幕开始显示冷藏室的设定温度（单位：°C）。
- 如需查看冷冻室的设定温度，请轻触冷冻室温度按钮 (■)。冷冻室指示灯 (■) 将亮起。
- 如需再次查看冷藏室的设定温度，请轻触冷藏室温度按钮 (■)。冷藏室指示灯 (■) 将亮起。
- 如果门已关闭且您未轻触任何按钮，液晶屏和所有相关指示灯将在 15 秒后熄灭。如需重新点亮它们，请轻触任意按钮或打开门。
- 如果发生已知故障，液晶屏将显示以下任一错误代码并发出蜂鸣声。如需停止蜂鸣声，请轻触任意按钮。

错误代码	故障
E1	冷藏室温度传感器故障
E2	冷冻室温度传感器故障
E5	冷冻室除霜温度传感器故障
E7	环境温度传感器故障
E6	内部通信故障

注意：如果您看到以上错误代码，请联系授权服务中心寻求帮助。

设定温度

推荐温度

冷藏室：+5°C（出厂设置）

冷冻室：-20°C（出厂设置）

当您首次接通冰箱电源时，冰箱将自动设置为出厂默认温度。当您再次接通或开启冰箱电源时，除非其记忆功能已关闭，否则冰箱会将温度设置为上次设定的温度。

- 如需调节冷藏室温度，请轻触冷藏室温度按钮 (■)，循环切换可用温度（2°C 至 8°C），直至屏幕显示所需温度。冷藏室指示灯 (■) 在调节过程中闪烁，设定温度生效后停止闪烁。



- 如需调节冷冻室温度，请轻触冷冻室温度按钮 (■) 循环切换可用温度（-24°C 至 -16°C），直到屏幕显示所需温度。冷冻室指示灯 (■) 在调节过程中闪烁，设定温度生效后停止闪烁。



提示：

- 当冰箱处于假日模式时，您无法调节冷藏室和冷冻室的温度。
- 设定温度越低，食品能安全储存的时间就越长，但冰箱消耗的电量也会相应增加。
- 设定温度越高，食品变质的速度就越快，同时冰箱消耗的电量也会相应减少。

速冷模式

注意：速冷功能用于迅速冷却新放入冷藏室的食物。如果您购入了大量温热的食物需要放入冰箱，建议启用速冷功能。这样能让食物快速降温，减少温度升高，有效延长冰箱内其他食物的保鲜期。

- 如需将冰箱设置为速冷模式，请长按冷藏室温度按钮 (■) 5 秒钟。速冷模式指示灯 (⌘) 闪烁，屏幕显示 2°C。当此指示灯停止闪烁时，该模式生效。
- 冰箱在速冷模式下运行 6 小时后或当冷藏室温度达到 2°C 时，将自动退出该模式。如需提前退出此模式，请轻触冷藏室温度按钮 (■)。

速冻模式

注意：速冻功能用于保持冷冻室内食物的营养价值。该功能可迅速冷冻食物。如需一次性冷冻大量食物或需要快速冷冻食物，建议开启速冻功能并将食物放入。此时，冷冻室的冷冻速度将会加快。开启该功能时，耗电量会相应增加。

- 如需将冰箱设置为速冻模式，请长按冷冻室温度按钮 (■) 5 秒钟。速冻模式指示灯 (⚡) 闪烁，屏幕显示 -24°C 。当此指示灯停止闪烁时，该模式生效。
- 冰箱在速冻模式下运行 40 小时后将自动退出该模式。如需提前退出此模式，请轻触冷冻室温度按钮 (■)。

假日模式

在冰箱长时间闲置不用之前，您可以将其设置为假日模式以节省能源。在假日模式下，冰箱不会冷却冷藏室，并将冷冻室温度保持在 -20°C 。

注意：

- 当冰箱处于假日模式时，请勿在冷藏室内存放任何食物。将冷藏室门稍微打开，留出足够空隙以使内部空气流通。这有助于防止霉菌滋生和异味产生。
- 当冰箱处于假日模式时，冷藏室温度按钮 (■) 和冷冻室温度按钮 (■) 均不可用。
- 如需将冰箱设置为假日模式，请长按假日模式按钮 (⌚) 3 秒钟。假日模式指示灯 (⌚) 闪烁，屏幕显示 -20°C 。当此指示灯停止闪烁时，该模式生效。
- 如需退出假日模式，请长按假日模式按钮 (⌚) 3 秒钟。假日模式指示灯 (⌚) 熄灭。

记忆功能

冰箱具有记忆功能，该功能在大多数情况下处于开启状态。若关闭或拔掉冰箱电源，或发生停电情况，冰箱重新启动后将恢复使用上次使用的设置继续运行。同样，在冰箱退出速冷、速冻或假日模式后，它将使用进入该模式前的设置继续运行。

注意：

- 冰箱不会记忆速冷或速冻模式已运行的时间。例如，如果重新开机后再次进入速冷模式，冰箱将始终运行该模式 6 小时，然后自动退出。
- 冰箱仅在连续运行超过 30 分钟后才会开启其记忆功能。因此，如果您在冰箱连续运行不到 30 分钟后将其关闭，它将不会记住上次使用的设置。

门的开合

- 当冷藏室门打开时，内部的 LED 灯亮起；当门关闭时，LED 灯熄灭。
- 当冷藏室门打开时，液晶屏和所有相关指示灯亮起；在门关闭 15 秒后熄灭。

开门报警

- 如果冰箱门保持打开超过 120 秒，将触发开门报警。要停止报警，请关上门或轻触任意按钮。
- 如果您通过轻触按钮停止了报警但门仍保持打开，报警将在 120 秒后再次响起。如果门保持开启超过 15 分钟，冰箱将关闭报警和 LED 灯，并继续正常运行。
- **注意：**当冰箱处于假日模式时，开门报警功能被禁用。

日常使用

低温抽屉

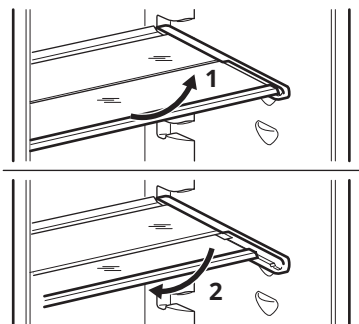
- 低温抽屉是冷藏室中最冷的区域。它保持的温度比设定温度低 1 或 2°C 。
- 将鱼、香肠和肉类等易腐食品存放在此抽屉中，可延长其保鲜时间。**注意：**请将新鲜肉类存放在此抽屉内，保存时间不超过两天，以保证最佳新鲜度。

可伸缩玻璃架

冰箱在冷藏室配有一个可伸缩玻璃架。玻璃架的前半部分可根据需要放置在后半部分前方或下方。

折叠玻璃架：

1. 轻轻取出前半部分。
2. 将其滑入下导轨并置于后半部分下方。



带湿度控制功能的果菜盒

果菜盒是存放新鲜水果和蔬菜的最佳位置。您可以通过湿度调节滑块调节果菜盒内的空气湿度。这可以使新鲜水果和蔬菜的储存时间比常规储存长一倍。

可根据待储存产品的种类和数量来设定果菜盒内的空气湿度：

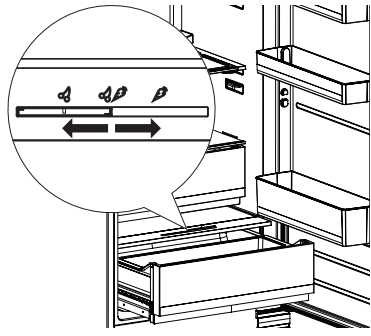
产品类型	建议空气湿度
主要为水果或装载量较大	较低
主要是蔬菜，混合装载或小批量装载	较高

注意：

- 对低温敏感的水果（如菠萝、香蕉、木瓜和柑橘类水果）和对低温敏感的蔬菜（如茄子、黄瓜、西葫芦、辣椒、西红柿和土豆）应存放在冰箱外，温度保持在 $8-12^{\circ}\text{C}$ 左右，以最佳状态保存其品质和风味。
- 根据存放的食物种类和数量，果菜盒内可能会形成冷凝水。用干布擦去冷凝水，并通过湿度调节滑块调节果菜盒内的空气湿度。

湿度调节滑块位于果菜盒盖板的前部。

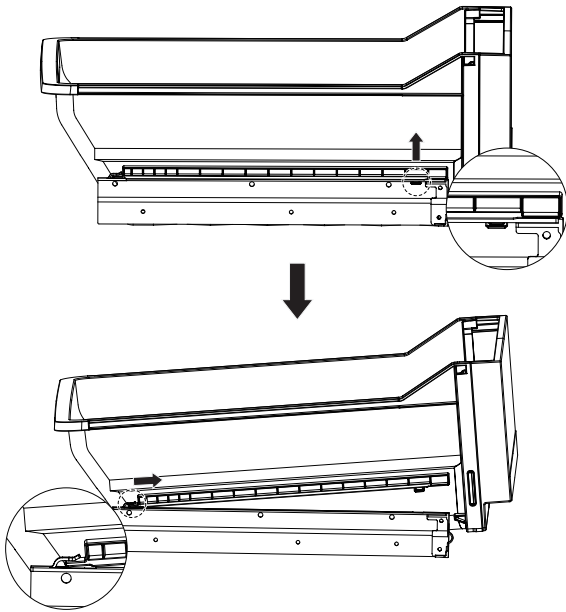
- 如需增加空气湿度，请将滑块向右移动。
- 如需降低空气湿度，请将滑块向左移动。



果菜盒安装在滑动底座上，可从冰箱中取出。

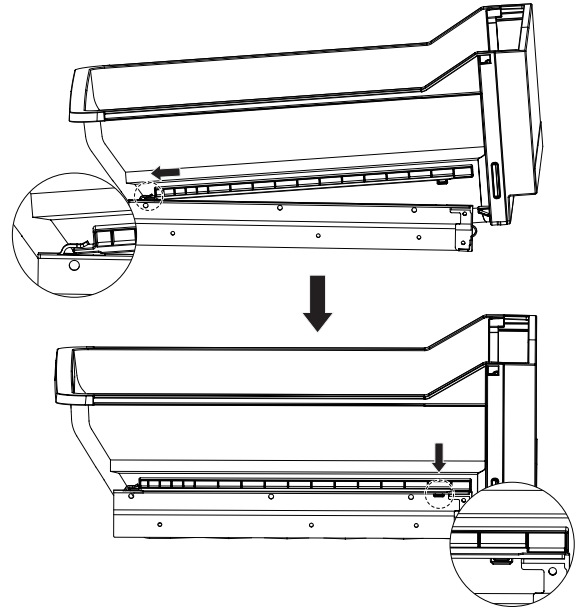
如需取出果菜盒，请按以下步骤操作：

1. 将果菜盒完全拉出。
2. 将果菜盒前部抬离底座。
3. 将果菜盒从底座拉出。



如需重新安装果菜盒，请按以下步骤操作：

1. 将底座完全拉出。
2. 将果菜盒后部放在底座上，然后将两个后卡扣滑入底座的两个卡槽中。
3. 将两个前卡扣插入底座。



注意事项与提示

生鲜食品冷藏注意事项

- 请将食物妥善覆盖或包裹，特别是味道浓烈的食物。
- 正确摆放食物，确保周围的空气可以自由流通。
- 为使冰箱发挥最佳性能，请在冷藏室内保留一定空间，便于空气流通。冰箱前部需预留足够空间，确保门能完全关闭。
- 请勿在冰箱中储存温热食物或含有蒸汽的液体。
- 肉类（所有类型）：须适当包裹后再放在果菜盒上方的玻璃架上。肉类最多储存 1-2 天。
- 熟食和凉菜：需盖好容器后，放在任意架子上。
- 水果和蔬菜：应彻底清洗后，放置于果菜盒内。请勿将未包装的香蕉、土豆、洋葱和大蒜放入冷藏室。
- 黄油和奶酪：应放在专门密封容器中，或用铝箔纸或塑料袋包裹，尽量排出空气。
- 瓶子：应盖好盖子后，放在门搁架上。

冷冻室

这款冰箱配备有 **★☆☆** 星级冷冻室。包装好的冷冻食品存放时间请参考包装上的说明。食品一旦解冻，必须在 24 小时内食用完毕。

冷冻生鲜食品

- 冰箱铭牌上标注了 24 小时内可冷冻的生鲜食品数量。
- 请避免未冷冻的生鲜食品与已冷冻食品接触，以防止后者温度升高。
- 将生鲜食品放入冷冻室的冷冻区，并在食物之间留出足够空间以确保空气流通顺畅。
- 应将食品妥善包裹，防止其接触水分、湿气或冷凝物，这样既能防止冰箱内异味扩散，又能确保冷冻食品得到更好的保存。
- 脂肪含量少的食物比脂肪含量多的食物更易于储存且储存时间更长；而盐分会缩短食品的储存期限。
- 切勿将温热食物直接放入冷冻室。先将热食冷却后再冷冻，可以节约能源并延长冰箱使用寿命。

- 请勿重新冷冻已部分解冻的食物。

取出冷冻室抽屉

将抽屉完全拉出，向上抬起然后取出。

注意：

- 为最大限度利用可用空间，您可不放入抽屉直接使用冷冻室。但是，随着冷冻室内食物数量的增加，能耗也会随之上升。
- 放入食物后，请确保冷冻室门关闭严实。

节能小贴士

- 将冰箱安装在干燥、通风良好的房间，远离任何热源（如散热器、炉灶等），并避免阳光直射。如有需要，可使用隔热板。

- 为确保充分通风，请遵循安装说明。
- 冰箱后部通风不足会增加耗电量并降低冷却效率。
- 冰箱的内部温度可能受环境温度、开门频率以及冰箱摆放位置的影响。设定温度时应考虑这些因素。
- 请将温热的食物和饮料冷却至室温后再放入冰箱内。
- 请勿用食物遮挡住风扇（如果冰箱配备有风扇）。
- 放入食物后，检查各间室门（尤其是冷冻室门）是否关闭严实。
- 尽量减少开门次数。
- 解冻冷冻食品时，请将其置于冷藏室内。冷冻产品的低温可以帮助冷却冷藏室内的其他食物。
- 冰箱内搁架的位置对能效没有影响。食物应放置在搁架上，以确保空气能正常流通（食物之间以及食物与后壁之间应保持适当距离，避免相互接触）。
- 密封条若损坏，必须尽快更换。

清洁与维护

常规提示

- 在维修或清洁冰箱之前，请从电源插座上拔下插头或断开电源。
- 请使用温水和中性洗涤剂专门调配的溶液，并搭配抹布，定期清洁冰箱内部。请勿使用磨蚀性清洁剂或工具。

警示！ 确保水不会进入照明装置外壳、电子显示屏外壳或任何其他电气部件。

警示！ 冰箱配件不得放入洗碗机中。

冷藏室除霜

冰箱配备自动除霜功能。无需手动除霜。

冷冻室除霜

冰箱配备自动除霜功能。运行时，内壁和食物表面上均不会积霜。无需手动除霜。

如果长时间不使用冰箱

1. 关闭冰箱。
2. 断开冰箱电源。
3. 移除内部所有食品。
4. 清洁冰箱。
5. 略微打开冰箱门，确保内部空气流通。这有助于防止霉菌滋生和异味产生。

遇到停电情况

- 保持冰箱门关闭。这将有助于食物尽可能长时间地保持低温。
- 如果食物已经部分解冻，请不要再次冷冻。在 24 小时内食用。

更换照明灯

该冰箱配有内部照明灯。

只有售后服务人员可以更换照明装置。

请联系宜家。请访问

www.IKEA.com

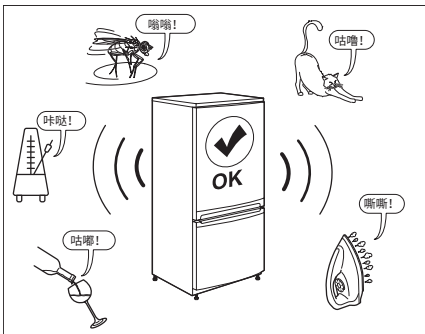
并选择您所在的本地商店，以获取当地商店的联系电话和营业时间。

故障排除

问题	可能原因	解决方法
控制面板关闭和/或冰箱不工作。	冰箱供电可能存在问题。	请确保： <ul style="list-style-type: none"> • 没有停电。 • 电源插头已正确插入插座，且双极电源开关（如有）处于正确位置（开启）。 • 家用电气系统保护装置运行良好。 • 电源线未损坏。 • 您已开启冰箱。
内部灯不亮。	<ul style="list-style-type: none"> • 灯已损坏。 • 部件故障。 	请参阅“更换照明灯”章节。
间室内部温度不够低。	可能存在多种原因（请参阅下一栏中的解决方法）。	请确保： <ul style="list-style-type: none"> • 门已关好。 • 冰箱未安装在热源附近。 • 温度设置得当。 • 冰箱内部的空气循环没有受到任何阻碍（请参阅安装说明）。
冰箱密封条旁边的箱体前边缘发热。	这不是故障。其作用是防止冷凝水形成。	无需解决。
冷藏室内温度过低。	<ul style="list-style-type: none"> • 设定的温度过低。 • 冷藏室温度传感器故障。 	<ul style="list-style-type: none"> • 如果冷藏室内没有食物结冰，请调高温度。 • 如果冷藏室内部分或全部食物已结冰，请联系授权服务中心。
冷冻室或冷藏室内出现积霜现象。	冷冻室或冷藏室门未关严。	确保各间室门关闭严实。请参阅“关闭冰箱门”章节。
冰箱液晶屏上显示代码并发出蜂鸣声。	请参阅“操作”章节中的“显示”。	请参阅“操作”章节中的“显示”。
冰箱门未关紧。	请参阅“关闭冰箱门”章节。	请参阅“关闭冰箱门”章节。

正常噪音

制冷系统发出一些诸如咕噜声和嘶嘶声等噪音，这是正常现象。



关闭冰箱门

如果	操作
门封条脏了。	请进行清洁。
门封条损坏。	请联系售后服务进行更换。
门被架子、抽屉、食品等阻挡。	请正确放置或移除阻挡门的物品。
门与冰箱柜体未对齐。	请调整门。请参阅《安装说明》。

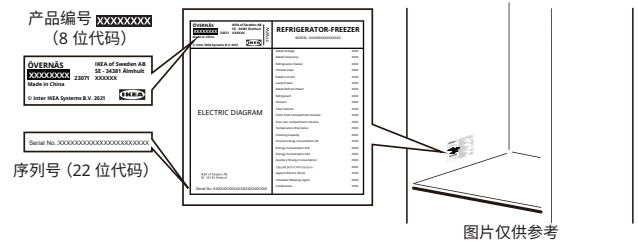
联系售后服务之前：


请重新启动冰箱，查看故障是否已修复。如果故障仍然存在，请再次关闭冰箱，并在一小时后重复此操作。

如果在按照故障排除指南进行检查并重新开启冰箱后，您的冰箱仍然无法正常运行，请联系售后服务，并清晰地描述问题，同时提供以下信息：

- 问题的性质
- 购买日期
- 冰箱的型号和序列号

① 产品编号和序列号位于冰箱内部左侧的铭牌上。

**技术参数**

产品类别	
产品类型	无霜冷藏冷冻箱
安装类型	嵌入式
产品尺寸	
高度	1785 mm
宽度	540 mm
深度	550 mm
净容积	
冷藏室	193 L
冷冻室	74 L 
除霜系统	
冷藏室	自动
冷冻室	自动
其他规格	
负载回升时间	9h
冷却能力	35 kg/12h
冷冻能力	3 kg/12h
耗电量	标准耗电量：0.50 kW·h/24h 综合耗电量：0.60 kW·h/24h 219 kW·h/a
噪音水平	35 dB(A)
能效等级	1 级
额定电压	220 V~
额定频率	50 Hz
所用标准	GB/T4706.1 GB/T4706.13 GB4343.1 GB17625.1 GB12021.2 GB/T8059

冰箱食品接触材料

冰箱食品接触材料列表		
部件名称	部件材质	执行标准
内胆	PS、ABS、不锈钢 304 (06Cr19Ni10)	GB4806.1 GB4806.7 GB4806.9
抽屉、果菜盒、瓶框	PS、ABS、PP	GB4806.1 GB4806.7 GB4806.14
灯罩、蛋架、冰铲、制冰格	PS、ABS、PP、PC	GB4806.1 GB4806.7
玻璃搁架	玻璃、PS、ABS、PP	GB4806.1 GB4806.7 GB4806.5 GB4806.14
制冰件及水路管件	POM、PP、ABS、PS、不锈钢 304 (06Cr19Ni10)、铝 1060、硅橡胶等	GB4806.1 GB4806.7 GB4806.9 GB4806.11
风道组件	PP、PS、铝合金 5052、铝合金 3003、不锈钢 430 (10Cr17)、不锈钢 304 (06Cr19Ni10)、不锈钢 430LNT (10Cr17NbTi)、玻璃	GB4806.1 GB4806.7 GB4806.9 GB4806.5 GB4806.14
面光源	PS、PMMA	GB4806.1 GB4806.7 GB4806.14
温控盒、旋钮、盒盖	阻燃 PS、阻燃 ABS、ABS、PS	GB4806.1 GB4806.7 GB4806.14
接水盘、装饰条、塑料栏条、孔塞	PP、ABS	GB4806.1 GB4806.7
浸塑栏条、浸塑搁架、浸塑吊篮	碳素结构钢 Q195/PE、 碳素结构钢 Q235/PE	GB4806.1 GB4806.7 GB4806.9
镀铬酒架	碳素结构钢 Q195/ 镀铜 / 镀铬、 碳素结构钢 Q195/ 镀镍 / 镀铬、 不锈钢 304 (06Cr19Ni10) / 镀铜 / 镀铬、 不锈钢 304 (06Cr19Ni10) / 镀镍 / 镀铬	GB4806.1 GB4806.9
丝管蒸发器	铝 1060/ 环氧树脂 / 聚酯树脂	GB4806.1 GB4806.13 GB4806.7 GB4806.9
吹胀蒸发器	铝 1060/ 聚酯树脂	GB4806.1 GB4806.13 GB4806.7 GB4806.9
标贴	OPP、PET	GB4806.1 GB4806.7

备注：明细表中的部件为不同型号产品所包含的主要部件汇总，部分材质包含但不限于本表列出的材质，本产品是否包含该部件，以产品的实际配置为准。

产品中的有害物质

产品中有害物质的名称及含有的信息表

部件名称	有害物质									
	铅 (Pb)	汞 (Hg)	镉 (Cd)	六价铬 (Cr (VI))	多溴联苯 (PBBS)	多溴二苯醚 (PBDES)	邻苯二甲酸二正丁酯 (DBP)	邻苯二甲酸二异丁酯 (DIBP)	邻苯二甲酸丁苄酯 (BBP)	邻苯二甲酸二(2-乙基)己酯 (DEHP)
箱体及其组件	○	○	○	○	○	○	○	○	○	○
门体及其组件	○	○	○	○	○	○	○	○	○	○
压缩机组件及配件	×	○	○	○	○	○	○	○	○	○
PCB 板	×	○	○	○	○	○	○	○	○	○
制冷管路件	○	○	○	○	○	○	○	○	○	○
制冷剂	○	○	○	○	○	○	○	○	○	○
电器元器件	×	○	○	○	○	○	○	○	○	○
包装印刷组件	○	○	○	○	○	○	○	○	○	○
辅料	○	○	○	○	○	○	○	○	○	○

注 1:
 ○：表示该有害物质在该部件所有均质材料中的含量均不超出电器电子产品有害物质限制使用国家标准要求。
 ×：表示该有害物质至少在该部件的某一均质材料中的含量超出电器电子产品有害物质限制使用国家标准要求。

注 2：以上未列出的部件，表明其有害物质含量均不超出电器电子产品有害物质限制使用国家标准要求。

环保要求

请回收带有 ♻️ 标志的材料。

请将包装材料放入相应的回收容器中。请回收废旧的电气电子设备，保护环境和人类健康。请勿将本产品与普通生活垃圾一同丢弃。请将产品送往当地回收机构，或联系市政部门获取处理指引。



宜家质保

宜家产品的质保期有多长？

自您从宜家购买产品之日起，其保修有效期为五 (5) 年。需提供收据原件作为购买凭证。如果质保期内出现售后服务，售后服务不会延长产品的质保期限。

由谁提供售后服务？

宜家服务提供商将通过其自身的服务运营或由其授权的服务合作伙伴提供服务。

产品质保涵盖哪些内容？

质保范围包括从宜家购买之日起，因制造缺陷或材料不良导致的设备故障。本质保仅对家用生效。例外情况已在标题“产品质保不涵盖哪些内容？”下具体说明。质保期内的维修成本，例如修理、配件、人工和差旅费无需用户承担，前提是维修设备时不产生特别支出。在此条件下，适用于各地地方性法规。更换下来的部件将归宜家所有。

宜家将如何纠正问题？

宜家指定的服务提供商将对产品进行检查，并自行决定产品是否在质保范围内。若被视为在质保范围内，宜家服务提供商或由其授权的服务合作伙伴将通过其自身的服务运营，自行决定维修有缺陷的产品或将其更换为相同或同等的产品。

产品质保不涵盖哪些内容？

- 正常磨损。
- 故意或疏忽造成的损坏；不遵守操作说明、不正确安装或连接错误电压造成的损坏；化学或电化学反应、生锈、腐蚀或水渍造成的损坏，包括但不限于由供水中的过量石灰造成的损坏；异常环境条件造成的损坏。
- 耗材包括电池和烤箱灯。
- 不影响设备正常使用的非功能性和装饰性部件，包括各种划痕和色差。
- 外物以及清洗或疏通过滤器、排水系统或肥皂盒导致的意外损坏。
- 以下部件的损坏：陶瓷玻璃、配件、餐具篮、进水和排水管、密封件、烤箱灯和灯盖、屏幕、旋钮、外壳和外壳部件。除非这些损坏能被证明是由生产故障造成的。
- 在技术人员检查期间未发现故障的情况。
- 维修工作并非由我们的指定服务提供商和 / 或授权服务合作伙伴执行，或未使用原厂配件。
- 因错误安装或未按照规范安装而导致的维修。
- 在非家庭环境中使用该设备，即用于专业用途。
- 运输过程中损坏。如果客户将产品运送至自己家中或其他地址，宜家对运输中可能产生的任何损坏概不负责。但是，如果宜家将产品运送到客户指定的送货地址，那么运输途中发生的产品损坏由宜家承担。
- 宜家设备的初装费用。
- 但是，如果宜家指定的服务提供商或其授权服务合作伙伴依照本质保条款维修或更换设备，如有必要，指定的服务提供商或其授权服务合作伙伴将重新安装修复后的设备或安装替换设备。
- 宜家不承担水管和电气安装，客户须在安装设备之前完成此工作。

国家 / 地区法律如何适用

宜家保修条款赋予您明确的法律权力，涵盖或超出了当地所有的法定要求。然而，这些条件并不以任何方式限制当地法律所规定的消费者权利。

有效区域

本保修条款仅在购买产品的国家 / 地区有效；服务将在质保条件的框架内提供。只有在设备符合并按照以下规定安装的情况下，宜家才有义务在此质保框架内提供维修服务：

- 提出保修申请时所在国家的技术规格；
- 《安装说明》和《用户手册》中的《安全信息》；

宜家电器的专用售后服务

如有需要，请随时联系宜家指定的授权服务中心：

- 依据本质保条款提出服务请求；
- 咨询如何在宜家专用厨房家具中安装宜家电器；
- 就宜家电器的功能进行咨询。

为确保我们能够为您提供最佳协助，请在联系我们之前仔细阅读《安装说明》和 / 或《用户手册》。

联系宜家售后客服



当您拨打服务电话时，宜家售后客服中心会在电话中协助您解决设备的基本问题。

请访问

www.IKEA.com

并选择您所在的本地商店，以获取当地商店的联系电话和营业时间。

在致电我们之前，请确保您能提供需要售后服务的设备的宜家产品编号（8 位代码）和序列号（8 位代码，可在铭牌上找到）。

- ⓘ 请保留销售收据！收据是您的购买凭证，也是获得质保的必要条件。请注意，收据还会注明您所购买的每件电器的宜家产品名称和编号（8 位代码）。

您需要进一步的帮助吗？

如有任何与电器售后无关的其他问题，请联系离您最近的宜家商场客服中心。建议您在联系我们之前先仔细阅读说明书。

