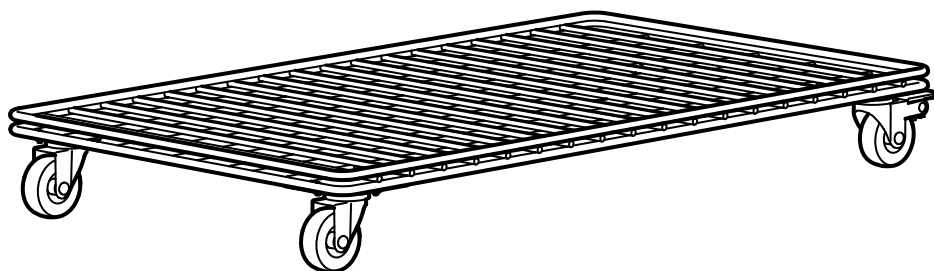
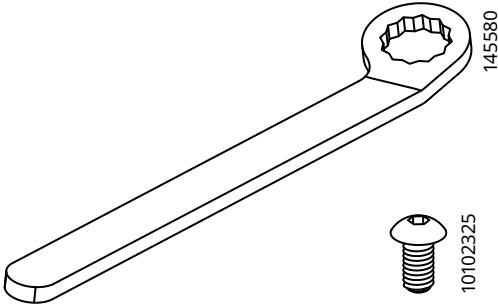
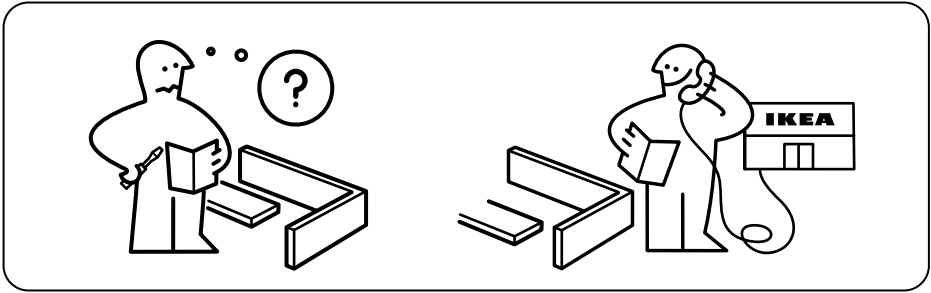


INVALLNING



Design and Quality
IKEA of Sweden



1x



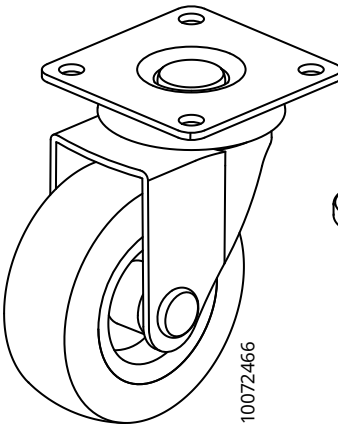
16x



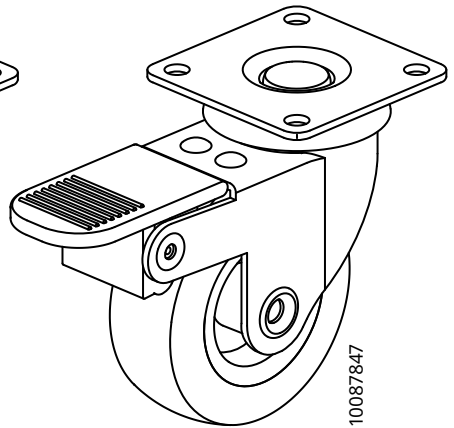
16x



1x



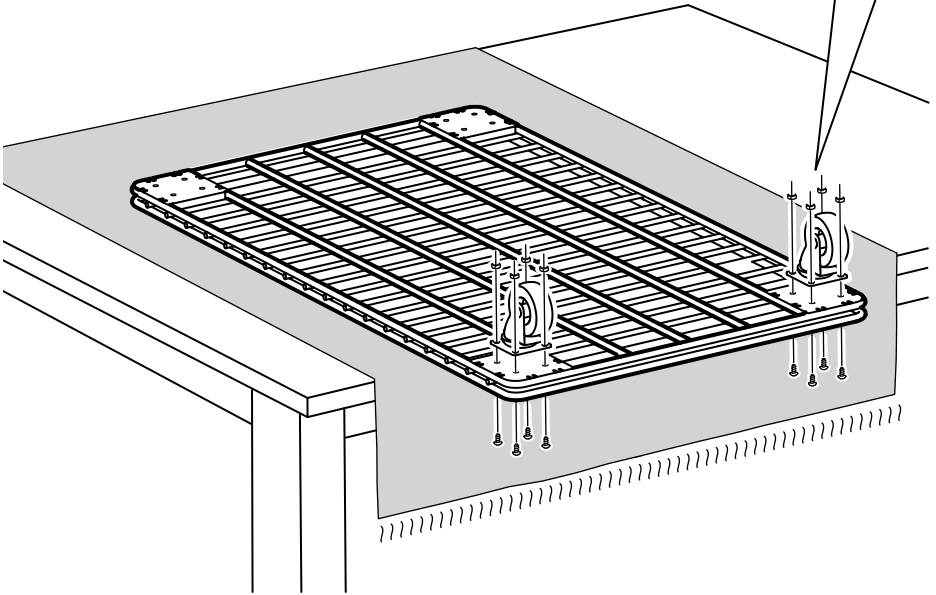
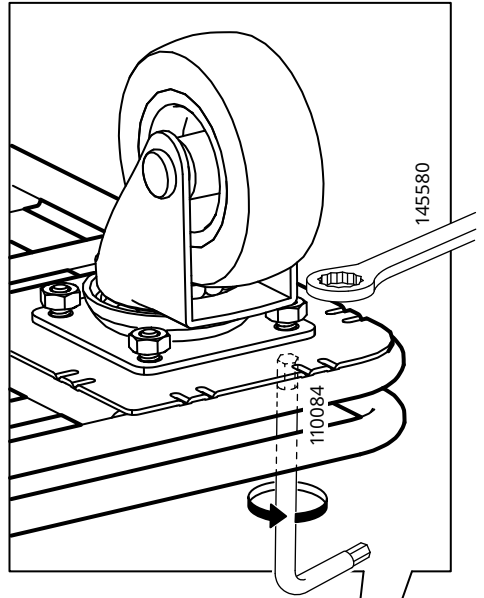
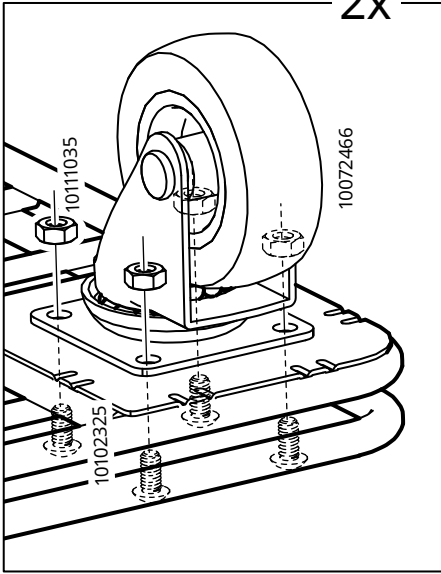
2x



2x

1

2x



2

