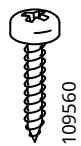
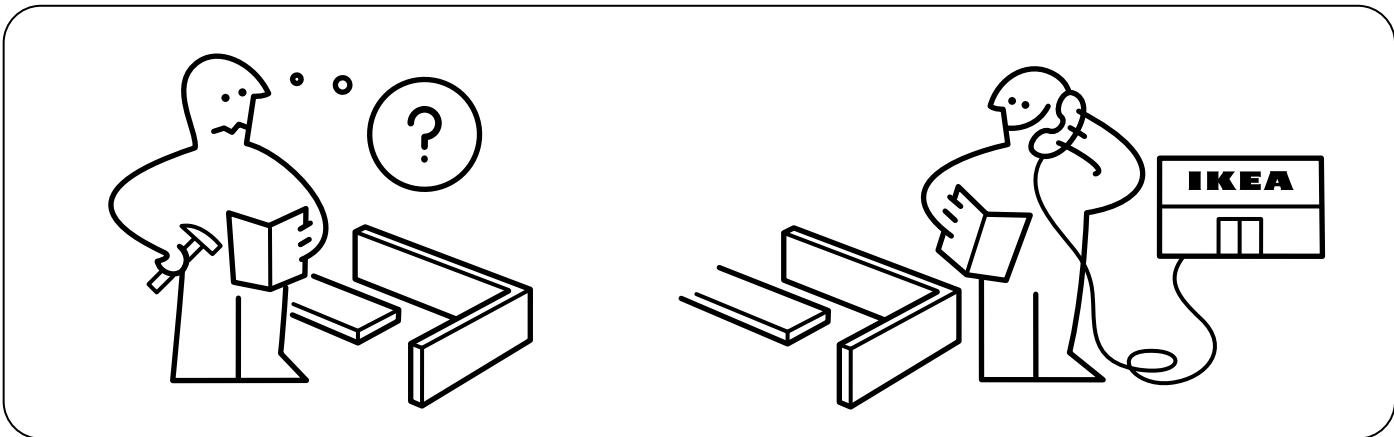
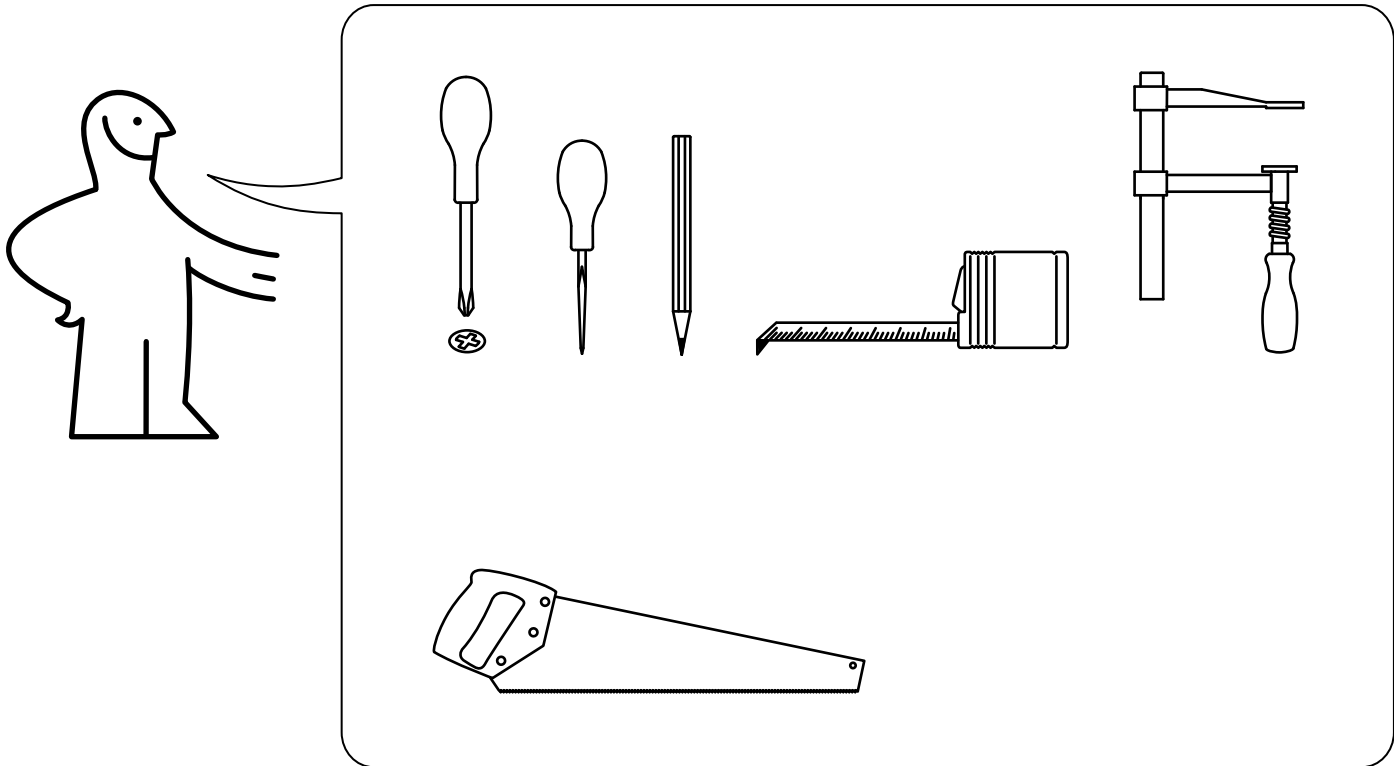


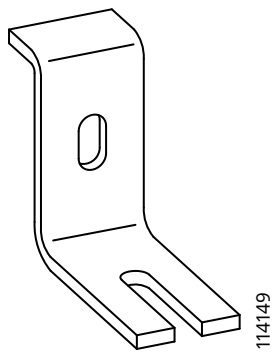
Design and Quality
IKEA of Sweden



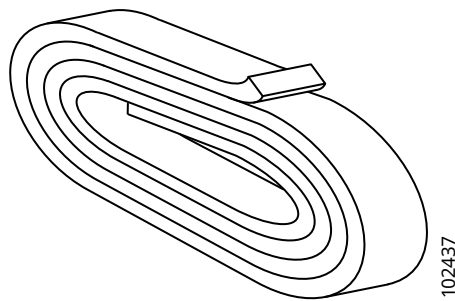
16x



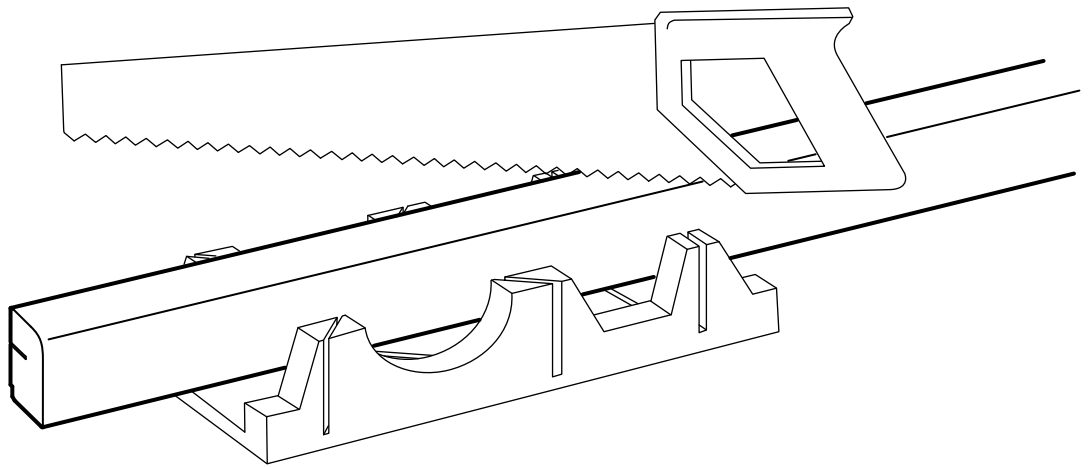
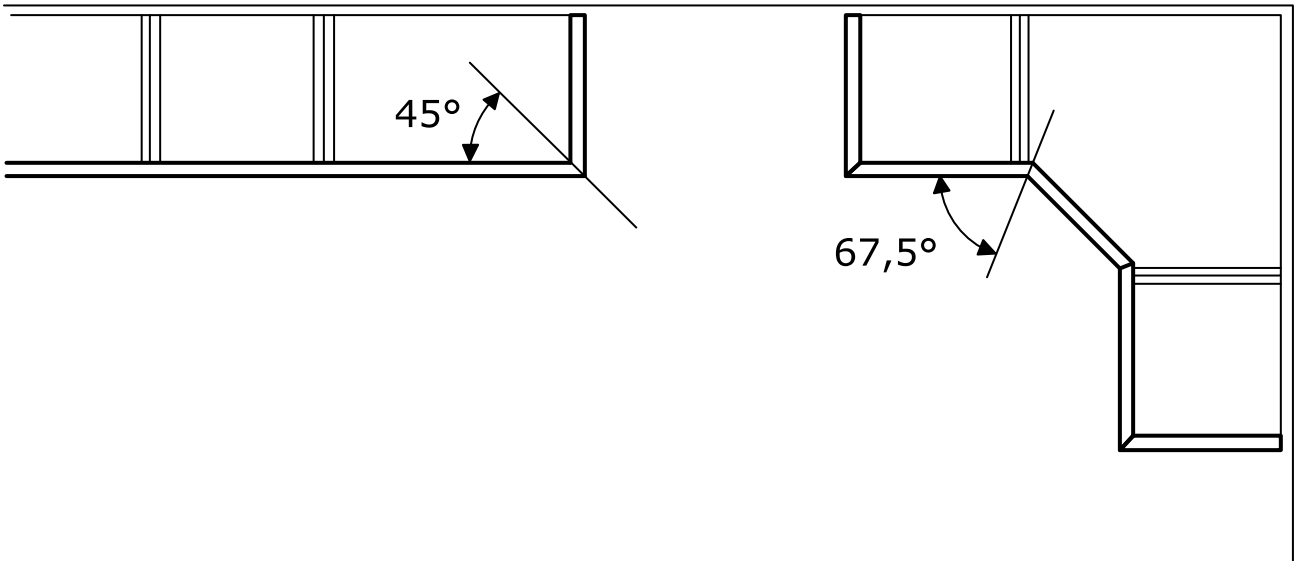
8x

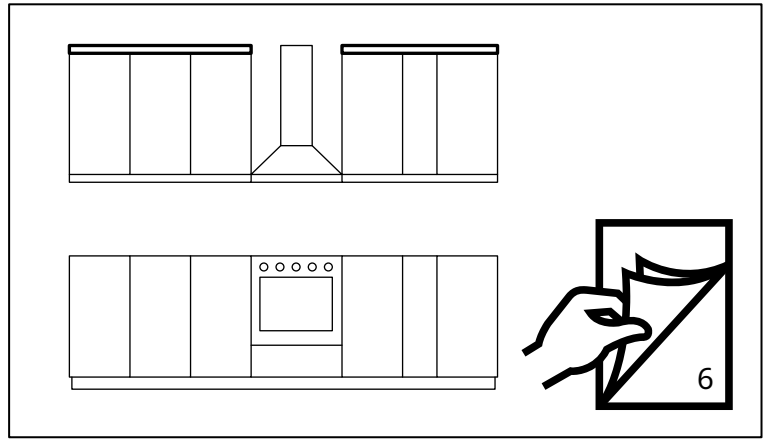
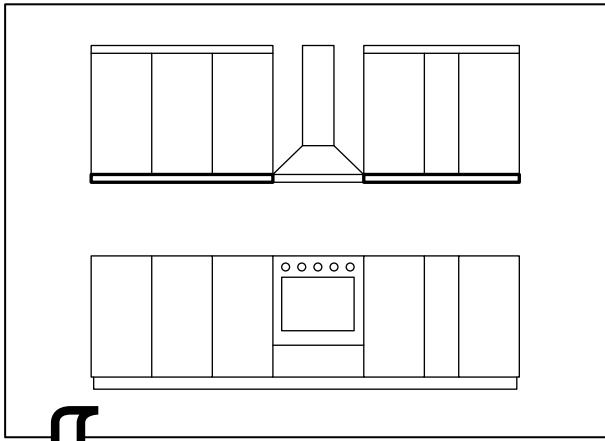


8x

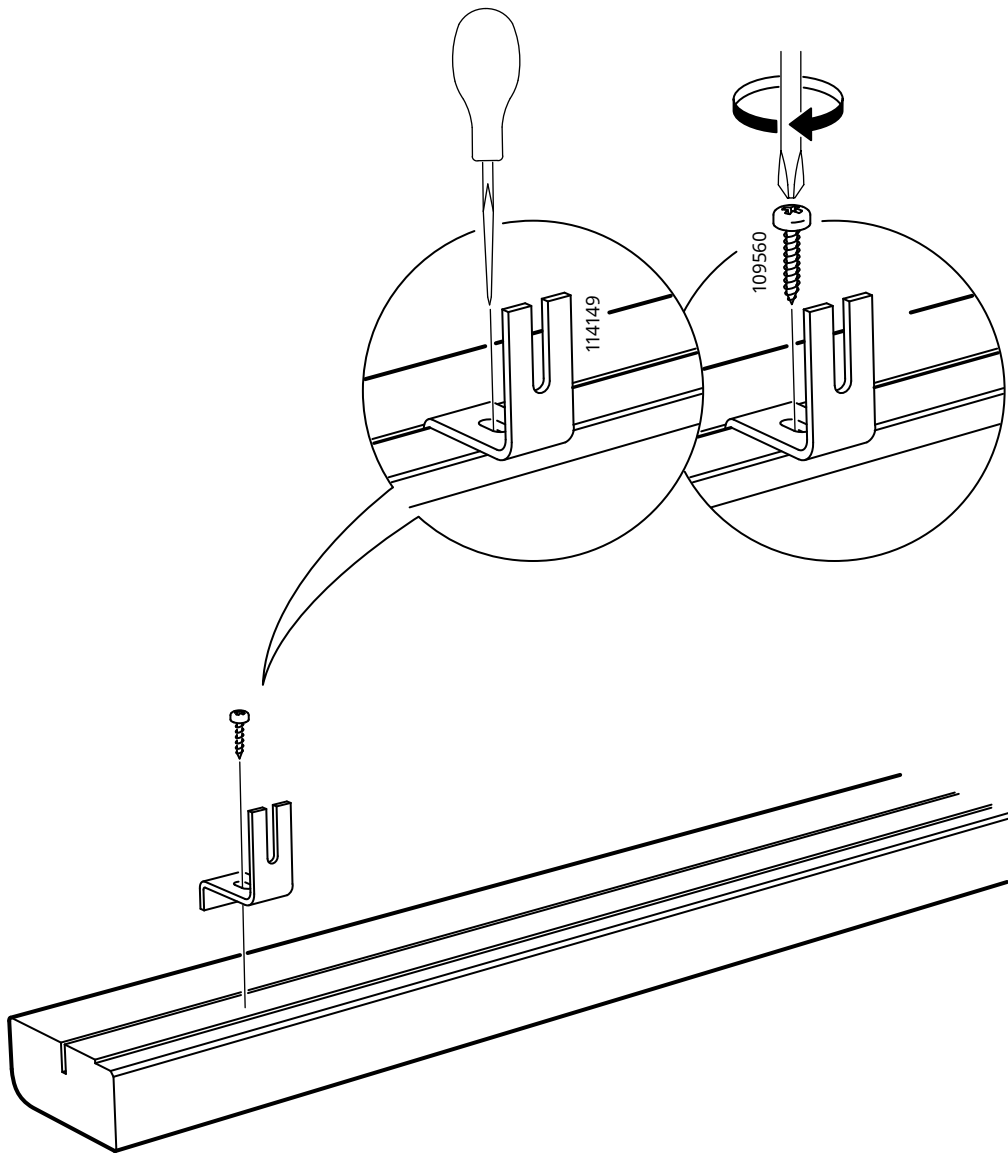


2x

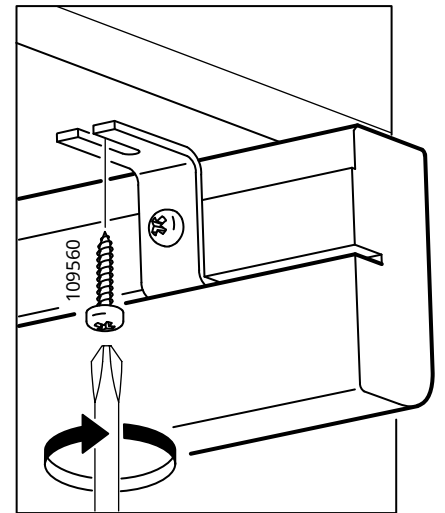
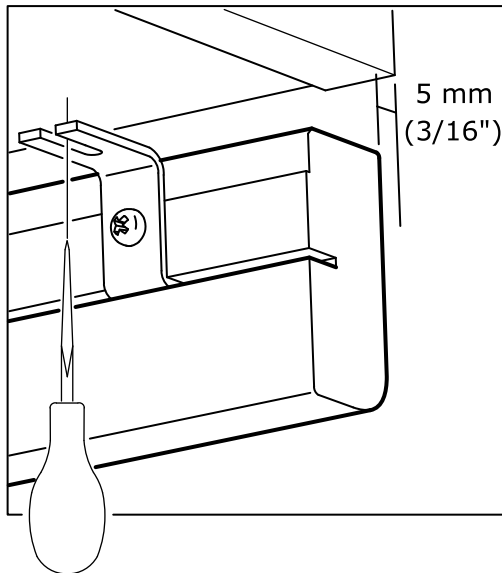
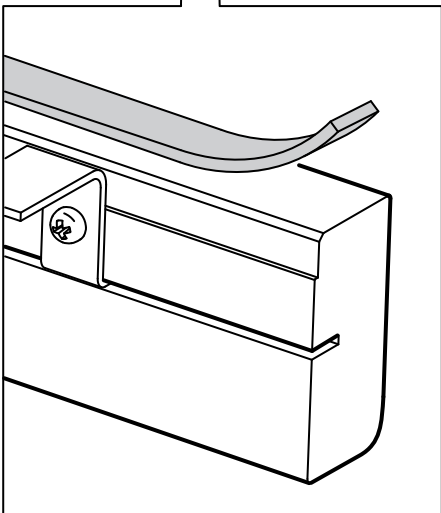
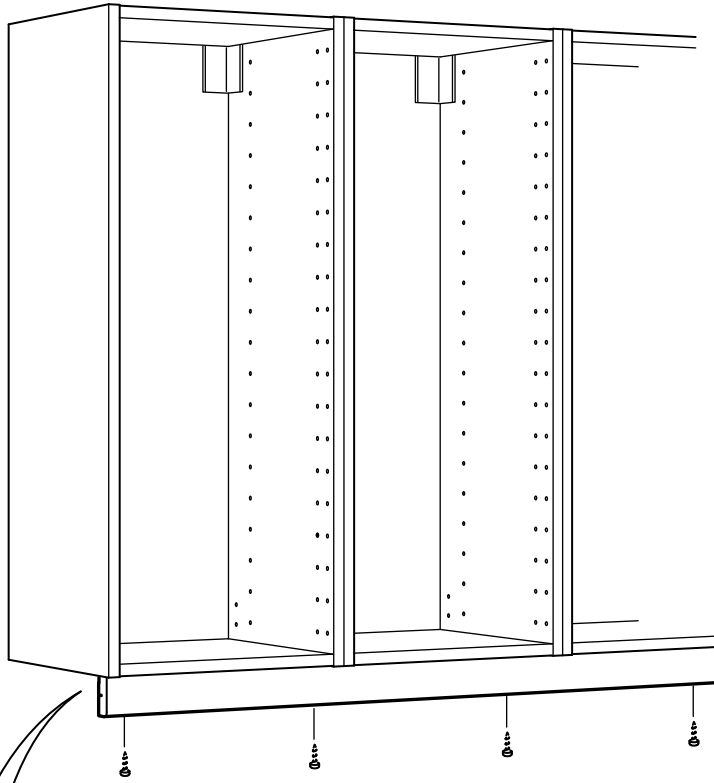




1



2



3

